

New Products



Linear Electric Actuator Supplementary Catalogue 1
(2023-2024)

Product Selection Guide

Electric Actuator- Servo		
Rodless Type Ball Screw Actuator Series: AELS Size : 44 – 120mm	Rod Type Ball Screw Actuator Series: AERS Size : 44 – 120mm	Rodless Belt Type Actuator Series: AELB Size : 50 – 220mm
		
Page No. 1.1 – 1.18	Page No. 2.1 – 2.18	Page No. 3.1 – 3.32
Electric Gripper - Lead Screw Series : AEGL Stroke : 10 – 14mm	Rod Type Ball Screw Actuator(VDMA) Series: AVRS Size : 40 – 100mm	Rodless Type Ball Screw Actuator (Step-servo) Series: AELS Size : 44 – 54mm
		
Page No. 4.1 – 4.5	Page No. 5.1 – 5.39	Page No. 6.1 – 6.10
Rod Type Ball Screw Actuator (Step-servo) Series: AERS Size : 44 – 54mm	Step-servo Controller Series : JC100	
		
Page No. 7.1 – 7.10	Page No. 8.1 – 8.8	

Linear Electric Actuator

Series AELS

Cat :

Rodless Type Ball Screw Actuator Series



Size (mm)	Repetability (in mm)	Ball Screw lead (mm)	Max Speed (mm/s)	Max.Payload (Kg)		Stroke (mm)			
				Horizontal	Vertical				
44	±0.01	2	100	25	8	50 - 800			
		6	300	20	8				
		12	600	12	3.5				
54		±0.01	2	100	30	10	50 - 800		
			5	250	30	10			
			10	500	15	5			
			20	1000	10	2.5			
82			±0.01	5	250	50	15	50 - 1100	
				10	500	30	8		
				20	1000	18	3		
120				±0.01	5	250	110	33	50 - 1250
					10	500	88	22	
	20				1000	40	10		
	32				1600	30	8		

Linear Electric Actuator

Series AELS

Cat :

Rodless Type Ball Screw Actuator - 44mm

Features

- Compact Robust Design
- Highly flexible mounting
- More Precise & positioning
- Ease of positioning
- Ease of Maintenance



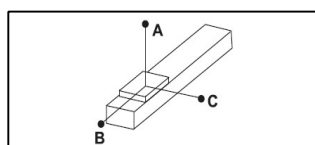
Technical Specifications

Repeatability (mm)		±0.01		
Motor Power (AC Servo in W)		100		
Ball screw lead (mm)		2	6	12
Maximum speed (mm/s) *		100	300	600
Maximum payload	Horizontal (Kg)	25	20	12
	Vertical (Kg)	8	8	3.5
Rated thrust (N)		854	285	142
Stroke (mm)**		50-800mm		
Ball screw Ø (mm)		C7 Ø 10		
Coupling (mm)		7x8		
Home sensor	Outside	EE-SX674 (NPN)		

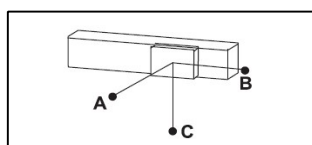
* Acceleration and deceleration value is set 0.2 second

** When the stroke is over 550mm the run-out of the ball screw will occur. We recommend to low down the working speed under circumstances. Please refer to P1.18 for details.

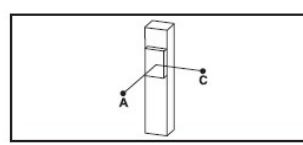
Allowable Moment



Unit:mm

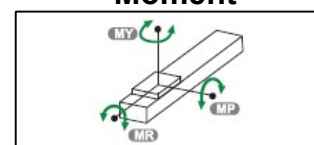


Unit:mm



Unit:mm

Static Loading Moment



Unit:Nm

Horizontal Installation		A	B	C
2 Lead	12Kg	1000	55	80
	18Kg	750	35	50
	25Kg	500	23	32
6 Lead	10Kg	550	53	70
	15Kg	350	32	45
	20Kg	250	22	31
12 Lead	8Kg	305	59	75
	10Kg	240	45	57
	12Kg	195	37	47

Wall Installation		A	B	C
2 Lead	12Kg	80	55	1000
	18Kg	50	35	750
	25Kg	32	23	500
	10Kg	72	52	550
6 Lead	15Kg	45	32	345
	20Kg	31	22	250
	8Kg	75	59	300
12 Lead	10Kg	58	45	240
	12Kg	47	37	190

Vertical Installation		A	C
2 Lead	4Kg	195	195
	8Kg	100	100
	-	-	-
6 Lead	3Kg	150	150
	8Kg	75	75
	-	-	-
12 Lead	2Kg	260	260
	3.5Kg	150	150
	-	-	-

MY	79
MP	79
MR	116

Note:

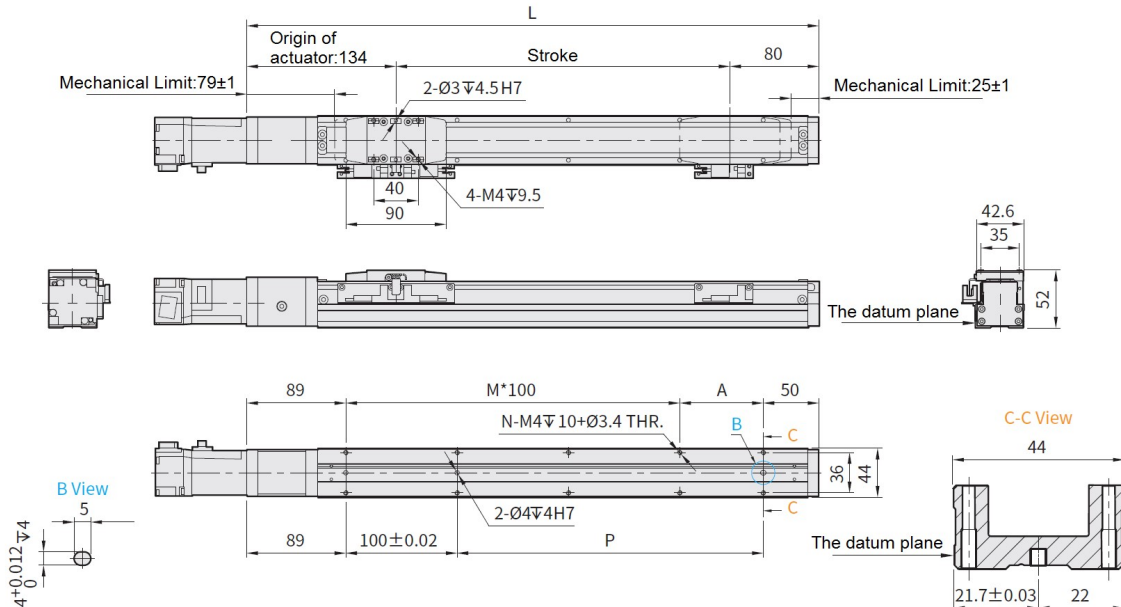
- The torque value in the chart indicates the center of gravity.
- Operation life is 10,000Km when the product is using under the specified conditions.
- Data information is not for ceiling-mount inverse use. Contact us for the details if you want to apply ceiling-mount inverse usage

Linear Electric Actuator

Series AELS

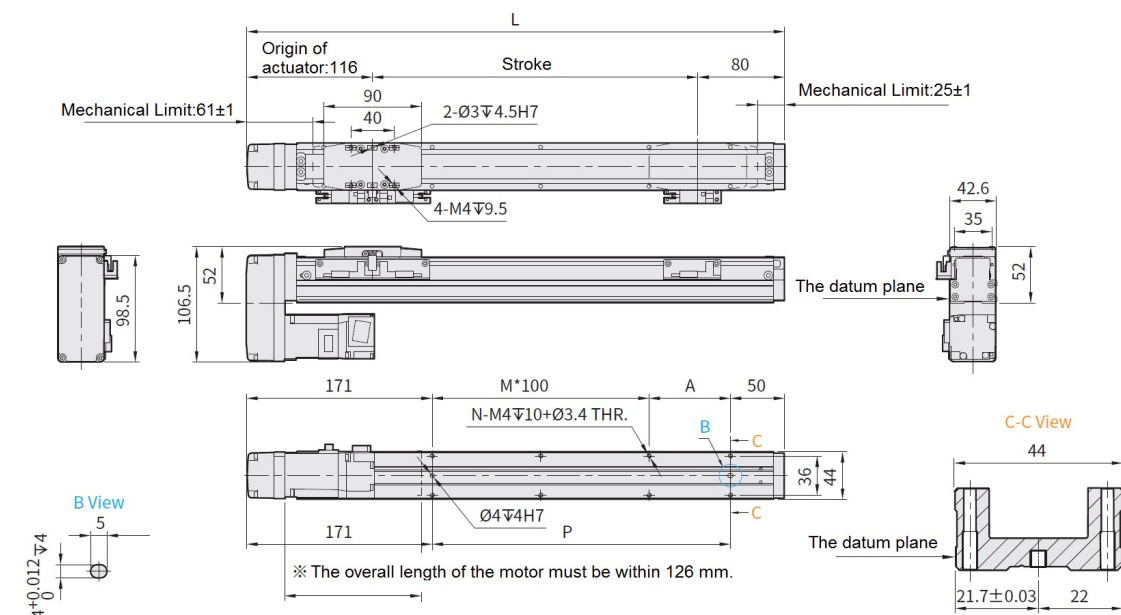
Cat :

Motor Direct - D



Stroke	50	100	150	200	250	300	350	400	450	500	550	600	650	700	750	800
L	264	314	364	414	464	514	564	614	664	714	764	814	864	914	964	1014
A	25	75	25	75	25	75	25	75	25	75	25	75	25	75	25	75
M	1	1	2	2	3	3	4	4	5	5	6	6	7	7	8	8
N	6	6	8	8	10	10	12	12	14	14	16	16	18	18	20	20
P	25	75	125	175	225	275	325	375	425	475	525	575	625	675	725	775
Weight(Kg)	0.95	1.12	1.29	1.47	1.65	1.83	2.01	2.19	2.37	2.55	2.73	2.91	3.09	3.27	3.45	3.63

Motor Bottom Side - B



Stroke	50	100	150	200	250	300	350	400	450	500	550	600	650	700	750	800
L	246	296	346	396	446	496	546	596	646	696	746	796	846	896	946	996
A	25	75	25	75	25	75	25	75	25	75	25	75	25	75	25	75
M	0	0	1	1	2	2	3	3	4	4	5	5	6	6	7	7
N	4	4	6	6	8	8	10	10	12	12	14	14	16	16	18	18
P	25	75	125	175	225	275	325	375	425	475	525	575	625	675	725	775
Weight(Kg)	1.04	1.22	1.4	1.58	1.76	1.94	2.12	2.3	2.48	2.66	2.84	3.02	3.2	3.38	3.56	3.74

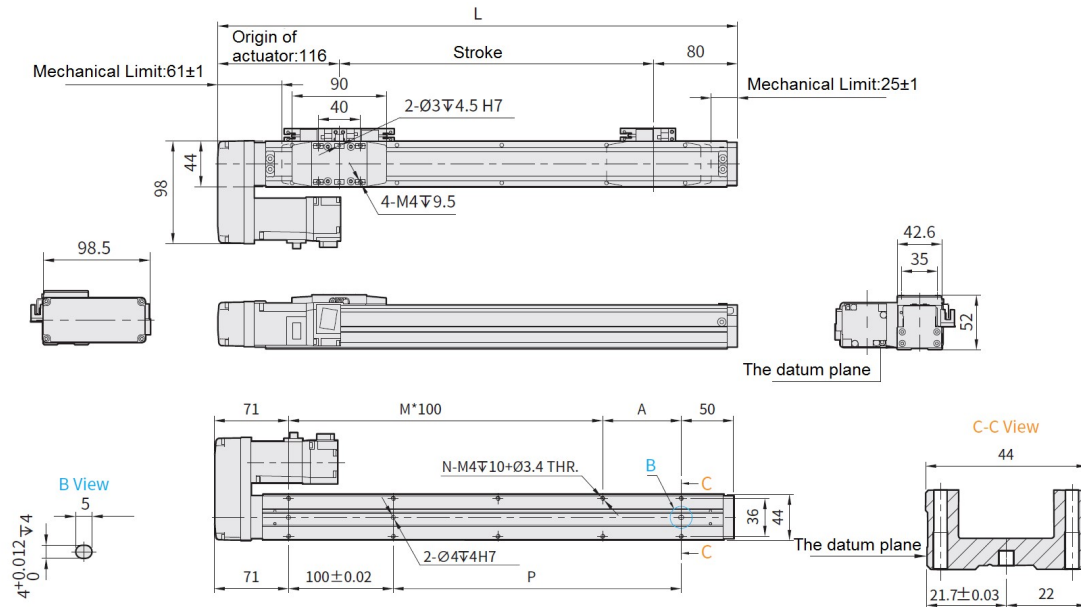
(Note : When motor with brake assembled on lower side, or the total length over than spec limit, it may not use standard pin hole. Please contact us if you need more information.)

Linear Electric Actuator

Series AELS

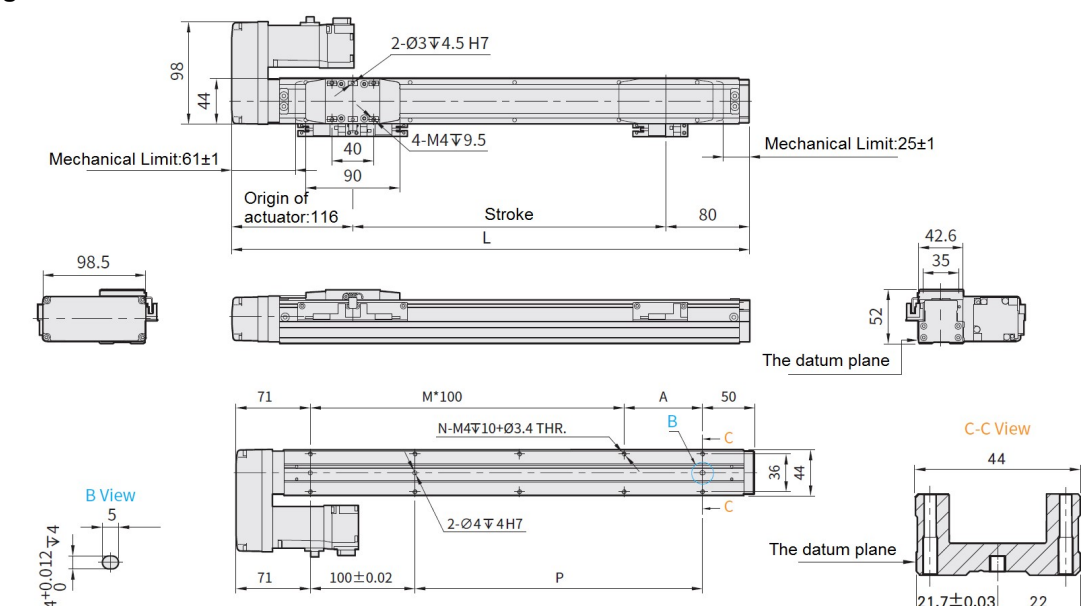
Cat :

Motor Left Side - L



Stroke	50	100	150	200	250	300	350	400	450	500	550	600	650	700	750	800
L	246	296	346	396	446	496	546	596	646	696	746	796	846	896	946	996
A	25	75	25	75	25	75	25	75	25	75	25	75	25	75	25	75
M	1	1	2	2	3	3	4	4	5	5	6	6	7	7	8	8
N	6	6	8	8	10	10	12	12	14	14	16	16	18	18	20	20
P	25	75	125	175	225	275	325	375	425	475	525	575	625	675	725	775
Weight(Kg)	1.04	1.22	1.40	1.58	1.76	1.94	2.12	2.30	2.48	2.66	2.84	3.02	3.20	3.38	3.56	3.74

Motor Right Side - R



Stroke	50	100	150	200	250	300	350	400	450	500	550	600	650	700	750	800
L	246	296	346	396	446	496	546	596	646	696	746	796	846	896	946	996
A	25	75	25	75	25	75	25	75	25	75	25	75	25	75	25	75
M	1	1	2	2	3	3	4	4	5	5	6	6	7	7	8	8
N	6	6	8	8	10	10	12	12	14	14	16	16	18	18	20	20
P	25	75	125	175	225	275	325	375	425	475	525	575	625	675	725	775
Weight(Kg)	1.04	1.22	1.40	1.58	1.76	1.94	2.12	2.30	2.48	2.66	2.84	3.02	3.20	3.38	3.56	3.74

Linear Electric Actuator

Series AELS

Cat :

How to order

AELS044

Lead	
02	2mm
06	6mm
12	12mm

Stroke	
0050-0800mm	

Motor Position	
D	Direct
L	Left Side
R	Right Side
B	Bottom Side

Motor Specification	
AC Servo	
D	Delta
Y	Yaskawa
M	Mitsubishi
P	Panasonic
V	INVT
T	Others

Motor Power	
AC Servo	
B	100W

Brake	
	Without Brake
B	With Brake

Encoder Type	
	Incremental
A	Absolute

Communication Type	
	Basic Type
C0	Modbus
C1	CAN Open
C2	Ether CAT
C3	PROFINET
C4	PROFIBUS
C5	Ethernet/IP
C6	Other Protocol -1
C7	Other Protocol -2
C8	Own Protocol -1*
C9	Own Protocol -2*

Motor & Encoder Cable	
1	1m
3	3m
5	5m
T	10m

I/O Cable	
N	Without Cable (Stand.)
1	1m
A	1.5m
2	2m

Note : * Based on Motor make

Customization Order no	
XXXX	Special Requirements

Example :1

Order no. for Rod less type ball screw electric actuator 44mm size, 2mm Lead, 50mm stroke with delta 100W servo motor mounted at the motor Direct, With 3m Motor & Encoder cable.

AELS044020050D-DB-3N

Example :2

Order no. for Rod less type ball screw electric actuator 44mm size, 2mm Lead, 50mm stroke without delta 100W servo motor mounted at the motor Direct.

AELS044020050D-DB

Linear Electric Actuator

Series AELS

Cat :

Rodless Type Ball Screw Actuator - 54mm

Features

- ❑ Compact Robust Design
- ❑ Highly flexible mounting
- ❑ More Precise & positioning
- ❑ Ease of positioning
- ❑ Ease of Maintenance



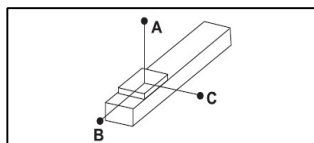
Technical Specifications

Repeatability (mm)		±0.01			
Motor Power (AC Servo in W)		100			
Ball Screw Lead (mm)		2	5	10	20
Maximum Speed (mm/s)*		100	250	500	1000
Maximum Payload	Horizontal (Kg)	30	30	15	10
	Vertical (Kg)	10	10	5	2.5
Rated Thrust (N)		854	341	170	85
Stroke (mm)**		50-800mm			
Ball Screw Ø (mm)		C7 Ø 12			
Coupling (mm)		7x8			
Home Sensor	Outside	EE-SX674 (NPN)			

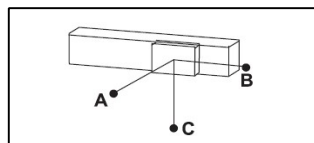
* Acceleration and deceleration value is set 0.2 second

** When the stroke is over 600mm the run-out of the ball screw will occur. We recommend to low down the working speed under circumstances. Please refer to P1.18 for details.

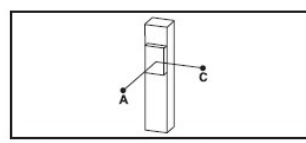
Allowable Moment



Unit:mm

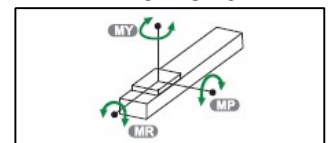


Unit:mm



Unit:mm

Static loading moment



Unit:Nm

Horizontal Installation		A	B	C
2 Lead	10Kg	900	100	135
	20Kg	700	45	60
	30Kg	550	25	35
5 Lead	10Kg	650	75	100
	20Kg	440	32	45
	30Kg	270	19	25
10 Lead	5Kg	600	145	185
	10Kg	370	70	85
	15Kg	250	42	52
20 Lead	5Kg	320	120	130
	8Kg	220	70	80
	10Kg	175	55	60

Wall Installation		A	B	C
2 Lead	10Kg	135	100	900
	20Kg	60	45	700
	30Kg	37	27	550
5 Lead	10Kg	100	75	650
	20Kg	45	32	420
	30Kg	25	19	260
10 Lead	5Kg	180	145	600
	10Kg	85	68	370
	15Kg	52	42	250
20 Lead	5Kg	130	120	320
	8Kg	75	70	220
	10Kg	60	55	170

Vertical Installation		A	C
2 Lead	6Kg	180	180
	8Kg	135	135
	10Kg	110	110
	10Kg	110	110
5 Lead	6Kg	145	145
	8Kg	110	110
	10Kg	90	90
10 Lead	1Kg	800	800
	3Kg	260	260
	5Kg	155	155
20 Lead	1Kg	600	600
	2Kg	300	300
	2.5Kg	250	250

MY	103
MP	103
MR	144

Note:

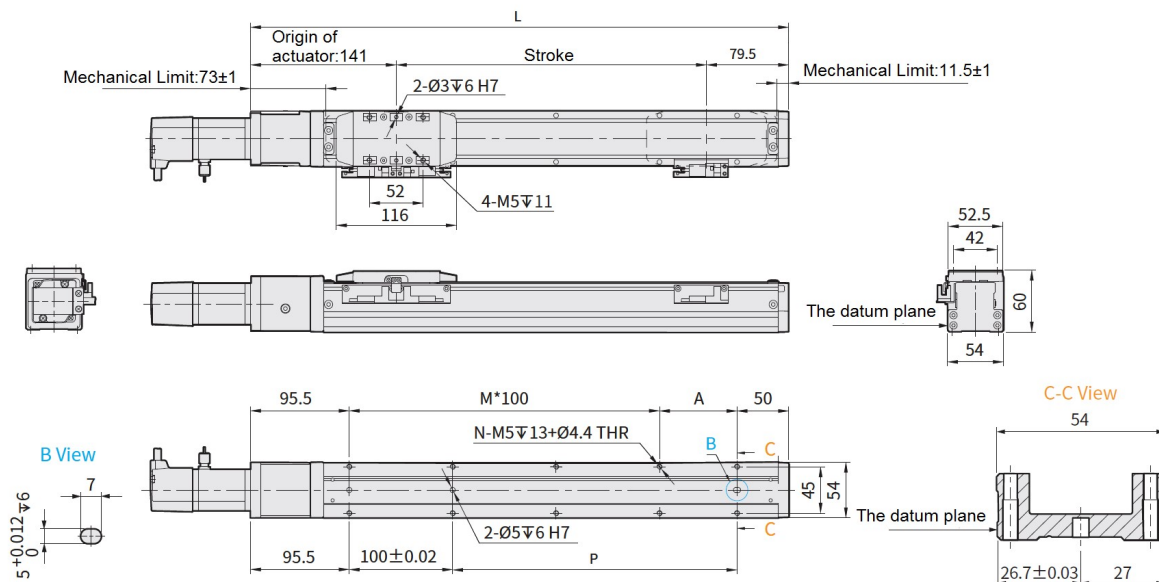
- The torque value in the chart indicates the center of gravity.
- Operation life is 10,000Km when the product is using under the specified conditions.
- Data information is not for ceiling-mount inverse use. Contact us for the details if you want to apply ceiling-mount inverse usage

Linear Electric Actuator

Series AELS

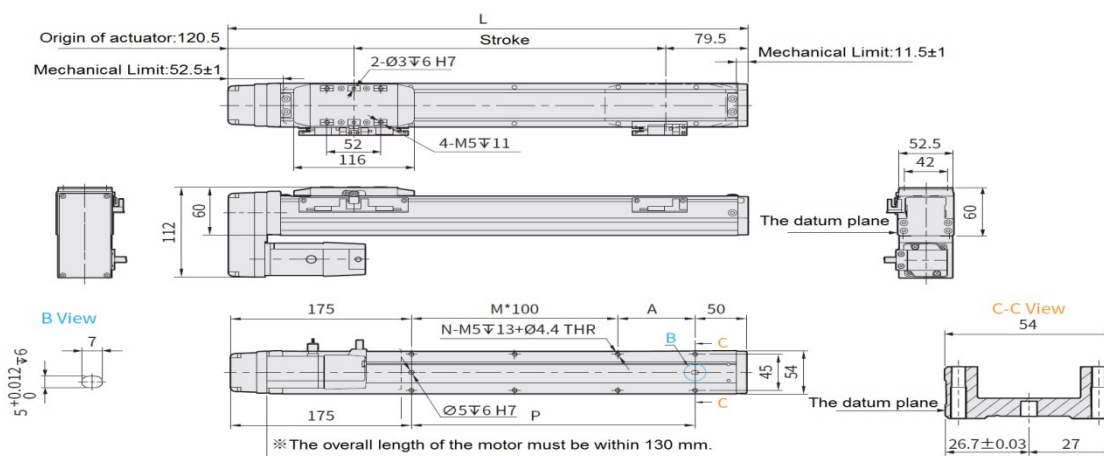
Cat :

Motor Direct - D



Stroke	50	100	150	200	250	300	350	400	450	500	550	600	650	700	750	800
L	270.5	320.5	370.5	420.5	470.5	520.5	570.5	620.5	670.5	720.5	770.5	820.5	870.5	920.5	970.5	1020.5
A	25	75	25	75	25	75	25	75	25	75	25	75	25	75	25	75
M	1	1	2	2	3	3	4	4	5	5	6	6	7	7	8	8
N	6	6	8	8	10	10	12	12	14	14	16	16	18	18	20	20
P	25	75	125	175	225	275	325	375	425	475	525	575	625	675	725	775
Weight(Kg)	1.65	1.79	1.92	2.11	2.39	2.5	2.52	2.75	2.86	2.95	3.15	3.28	3.44	3.58	3.71	4.09

Motor Bottom Side - B



Stroke	50	100	150	200	250	300	350	400	450	500	550	600	650	700	750	800
L	250	300	350	400	450	500	550	600	650	700	750	800	850	900	950	1000
A	25	75	25	75	25	75	25	75	25	75	25	75	25	75	25	75
M	0	0	1	1	2	2	3	3	4	4	5	5	6	6	7	7
N	4	4	6	6	8	8	10	10	12	12	14	14	16	16	18	18
P	25	75	125	175	225	275	325	375	425	475	525	575	625	675	725	775
Weight(Kg)	1.68	1.8	2.03	2.14	2.42	2.53	2.58	2.78	2.89	2.98	3.18	3.31	3.47	3.6	3.74	4.12

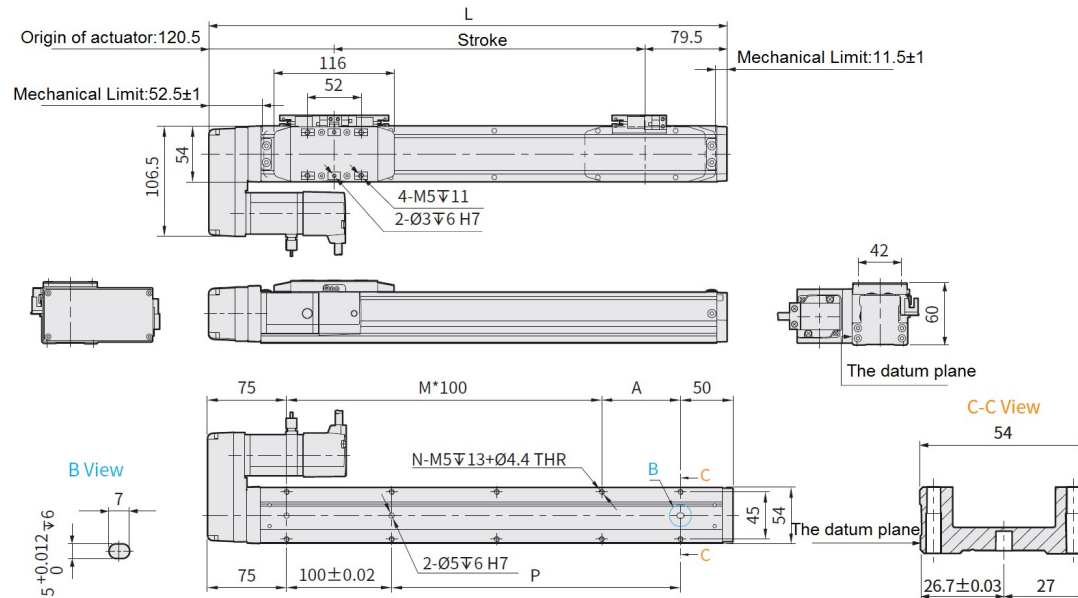
(Note : When motor with brake assembled on lower side, or the total length over than spec limit, it may not use standard pin hole. Please contact us if you need more information.)

Linear Electric Actuator

Series AELS

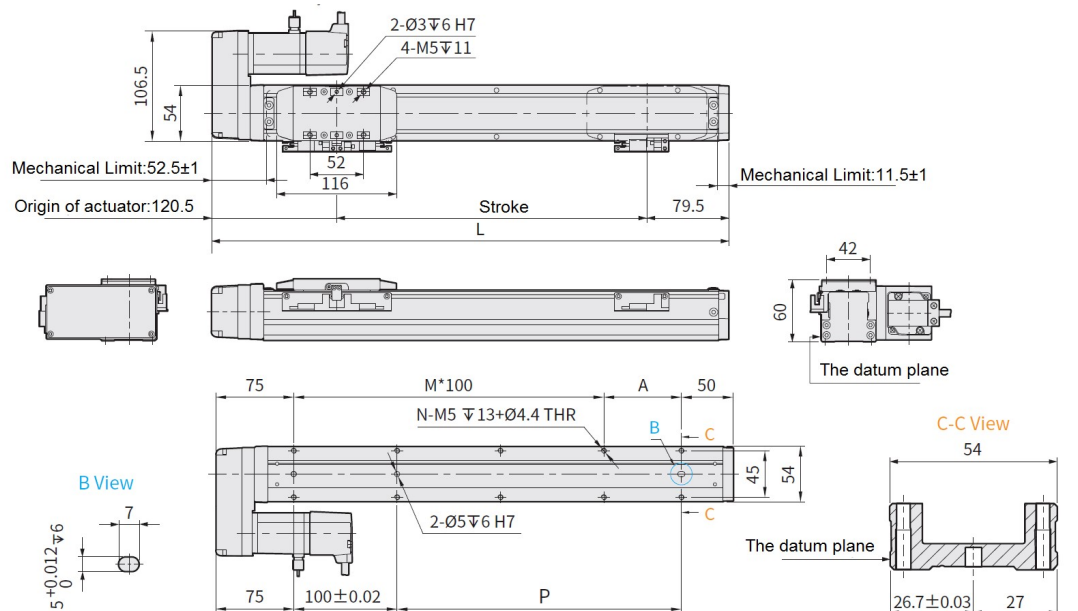
Cat :

Motor Left Side - L



Stroke	50	100	150	200	250	300	350	400	450	500	550	600	650	700	750	800
L	250	300	350	400	450	500	550	600	650	700	750	800	850	900	950	1000
A	25	75	25	75	25	75	25	75	25	75	25	75	25	75	25	75
M	1	1	2	2	3	3	4	4	5	5	6	6	7	7	8	8
N	6	6	8	8	10	10	12	12	14	14	16	16	18	18	20	20
P	25	75	125	175	225	275	325	375	425	475	525	575	625	675	725	775
Weight(Kg)	1.68	1.8	2.03	2.14	2.42	2.53	2.58	2.78	2.89	2.98	3.18	3.31	3.47	3.6	3.74	4.12

Motor Right Side - R



Stroke	50	100	150	200	250	300	350	400	450	500	550	600	650	700	750	800
L	250	300	350	400	450	500	550	600	650	700	750	800	850	900	950	1000
A	25	75	25	75	25	75	25	75	25	75	25	75	25	75	25	75
M	1	1	2	2	3	3	4	4	5	5	6	6	7	7	8	8
N	6	6	8	8	10	10	12	12	14	14	16	16	18	18	20	20
P	25	75	125	175	225	275	325	375	425	475	525	575	625	675	725	775
Weight(Kg)	1.68	1.8	2.03	2.14	2.42	2.53	2.58	2.78	2.89	2.98	3.18	3.31	3.47	3.6	3.74	4.12

Linear Electric Actuator

Series AELS

Cat :

How to order

AELS054

Lead	
02	2mm
05	5mm
10	10mm
20	20mm

Stroke	
0050-0800mm	

Motor Position	
D	Direct
L	Left Side
R	Right Side
B	Bottom Side

Motor Specification	
AC Servo	
D	Delta
Y	Yaskawa
M	Mitsubishi
P	Panasonic
V	INVT
T	Others

Motor Power	
AC Servo	
B	100W

Brake	
	Without Brake
B	With Brake

Encoder Type	
	Incremental
A	Absolute

Communication Type	
Basic Type	
C0	Modbus
C1	CAN Open
C2	Ether CAT
C3	PROFINET
C4	PROFIBUS
C5	Ethernet/IP
C6	Other Protocol - 1
C7	Other Protocol - 2
C8	Own Protocol -1*
C9	Own Protocol -2*

Motor & Encoder Cable	
1	1m
3	3m
5	5m
T	10m

I/O Cable	
N	Without Cable (Stand.)
1	1m
A	1.5m
2	2m

Note : * Based on Motor make

Customization Order no	
XXXX	Special Requirements

Example :1

Order no. for Rod less type ball screw electric actuator 54mm size, 2mm Lead, 50mm stroke with delta 100W AC servo motor mounted at the motor Direct, With 3m Motor & Encoder cable.

AELS054020050D-DB-3N

Example :2

Order no. for Rod less type ball screw electric actuator 54mm size, 2mm Lead, 50mm stroke without delta 100W AC servo motor mounted at the motor Direct.

AELS054020050D-DB

Linear Electric Actuator

Series AELS

Cat :

Rodless Type Ball Screw Actuator - 82mm

Features

- ❑ Compact Robust Design
- ❑ Highly flexible mounting
- ❑ More Precise & positioning
- ❑ Ease of positioning
- ❑ Ease of Maintenance



Technical Specifications

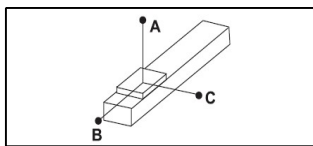
Repeatability (mm)		±0.01					
Motor Power (AC Servo in W)		200	400	200	400	200	400
Ball Screw Lead (mm)		5		10		20	
Maximum Speed (mm/s)*		250		500		1000	
Maximum Payload	Horizontal (Kg)	50		30		18	
	Vertical (Kg)	15		8		3	
Rated Thrust (N)		683	1388	341	694	174	347
Stroke (mm)**		50-1100mm					
Ball Screw Ø (mm)		C7 Ø 16					
Coupling (mm)		10x14					
Home Sensor	Outside	EE-SX674 (NPN)					

* Acceleration and deceleration value is set 0.2 second

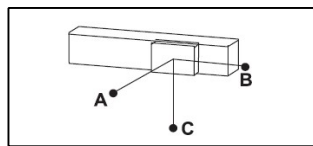
** When the stroke is over 750mm the run-out of the ball screw will occur. We recommend to low down the working speed under circumstances. Please refer to P1.18 for details.

Allowable Moment

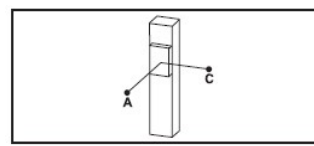
Static loading moment



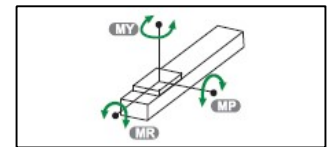
Unit:mm



Unit:mm



Unit:mm



Unit:Nm

Horizontal Installation		A	B	C
5 Lead	20Kg	1560	153	237
	35Kg	890	81	126
	50Kg	550	53	82
10 Lead	10Kg	1730	286	412
	20Kg	839	136	196
	30Kg	541	86	124
20 Lead	6Kg	1213	403	493
	9Kg	800	264	323
	18Kg	592	194	238

Wall Installation		A	B	C
5 Lead	20Kg	214	153	1435
	35Kg	113	81	845
	50Kg	74	53	506
10 Lead	10Kg	370	286	1400
	20Kg	176	136	800
	30Kg	112	86	495
20 Lead	6Kg	444	403	760
	9Kg	292	264	650
	18Kg	214	194	544

Vertical Installation		A	C
5 Lead	10Kg	331	331
	15Kg	220	220
	-	-	-
10 Lead	5Kg	589	589
	8Kg	368	368
	-	-	-
20 Lead	3Kg	935	935
	-	-	-
	-	-	-

MY	318
MP	318
MR	626

Note:

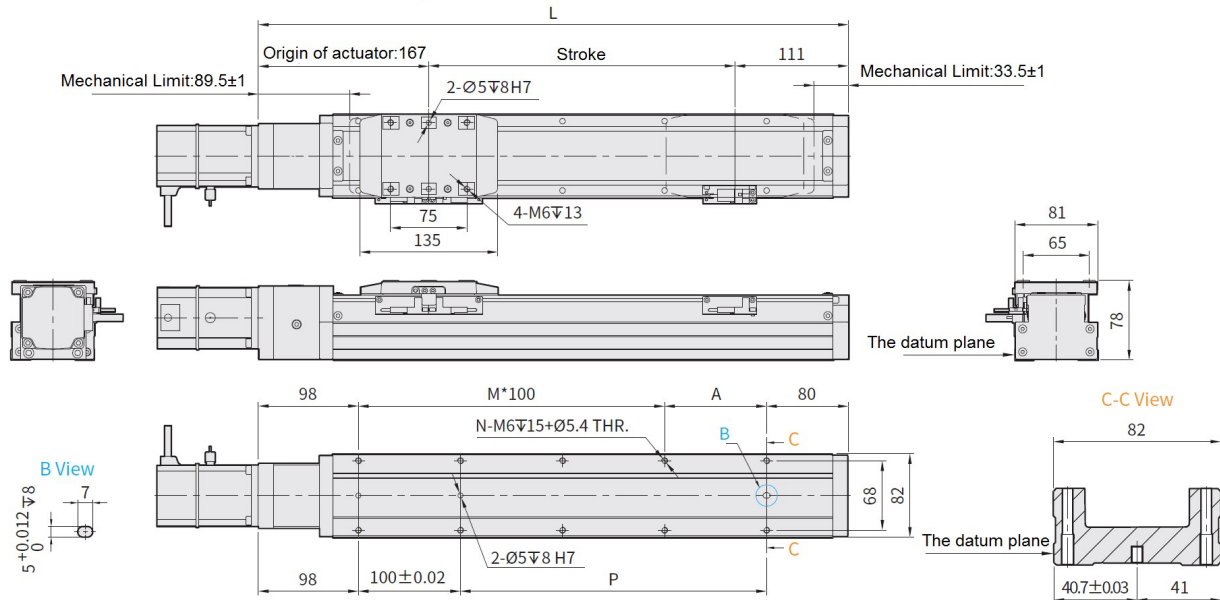
- The torque value in the chart indicates the center of gravity.
- Operation life is 10,000Km when the product is using under the specified conditions.
- Data information is not for ceiling-mount inverse use. Contact us for the details if you want to apply ceiling-mount inverse usage

Linear Electric Actuator

Series AELS

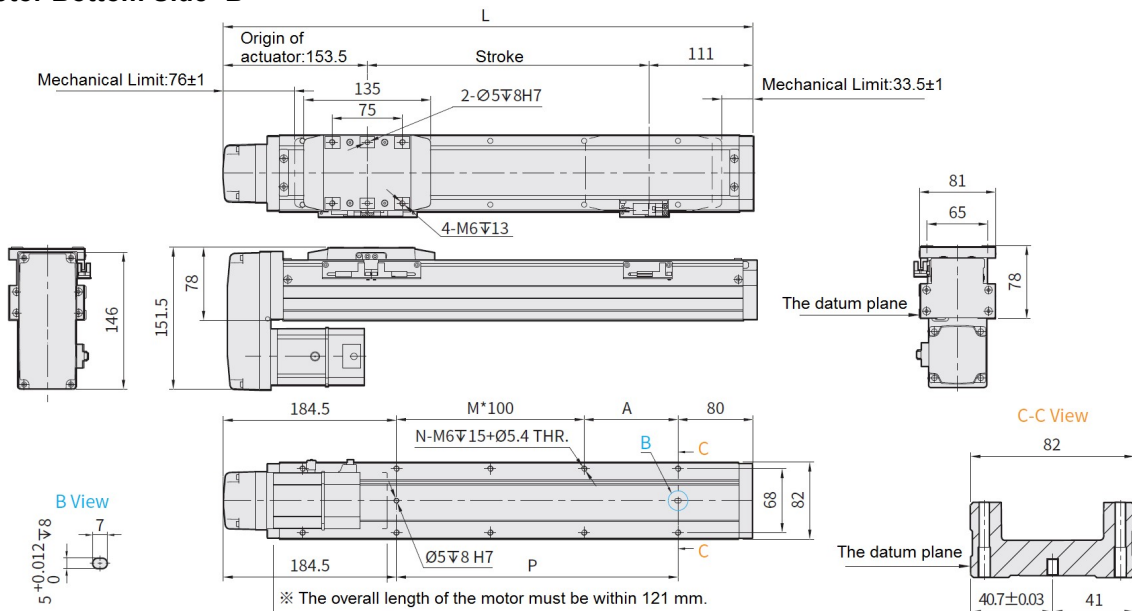
Cat :

Motor Direct - D



Stroke	50	100	150	200	250	300	350	400	450	500	550	600	650	700	750	800	850	900	950	1000	1050	1100
L	328	378	428	478	528	578	628	678	728	778	828	878	928	978	1028	1078	1128	1178	1228	1278	1328	1378
A	50	100	50	100	50	100	50	100	50	100	50	100	50	100	50	100	50	100	50	100	50	100
M	1	1	2	2	3	3	4	4	5	5	6	6	7	7	8	8	9	9	10	10	11	11
N	6	6	8	8	10	10	12	12	14	14	16	16	18	18	20	20	22	22	24	24	26	26
P	50	100	150	200	250	300	350	400	450	500	550	600	650	700	750	800	850	900	950	1000	1050	1100
Weight(Kg)	3.91	4.29	4.70	5.00	5.35	5.68	6.00	6.35	6.64	6.97	7.41	7.71	8.12	8.41	8.65	8.96	9.37	9.62	10.01	10.28	10.70	11.12

Motor Bottom Side -B



Stroke	50	100	150	200	250	300	350	400	450	500	550	600	650	700	750	800	850	900	950	1000	1050	1100
L	314.5	364.5	414.5	464.5	514.5	564.5	614.5	664.5	714.5	764.5	814.5	864.5	914.5	964.5	1014.5	1064.5	1114.5	1164.5	1214.5	1264.5	1314.5	1364.5
A	50	100	50	100	50	100	50	100	50	100	50	100	50	100	50	100	50	100	50	100	50	100
M	0	0	1	1	2	2	3	3	4	4	5	5	6	6	7	7	8	8	9	9	10	10
N	4	4	6	6	8	8	10	10	12	12	14	14	16	16	18	18	20	20	22	22	24	24
P	50	100	150	200	250	300	350	400	450	500	550	600	650	700	750	800	850	900	950	1000	1050	1100
Weight(Kg)	3.95	4.33	4.74	5.09	5.39	5.72	6.04	6.39	6.68	7.01	7.45	7.75	8.16	8.45	8.69	9.00	9.41	9.66	10.08	10.32	10.74	11.16

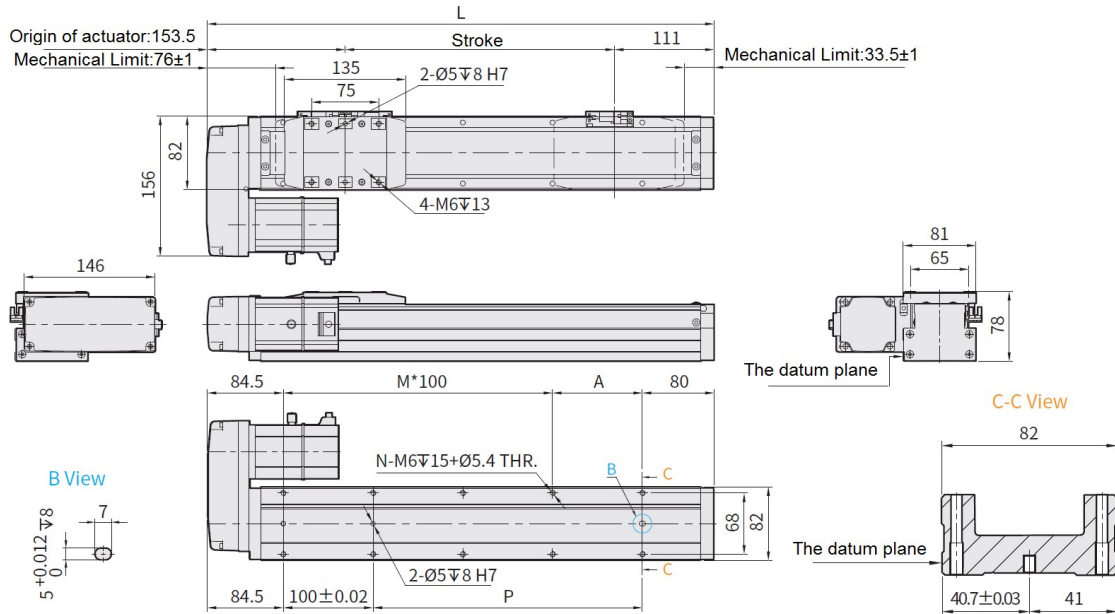
(Note : When motor with brake assembled on lower side, or the total length over than spec limit, it may not use standard pin hole. Please contact us if you need more information.)

Linear Electric Actuator

Series AELS

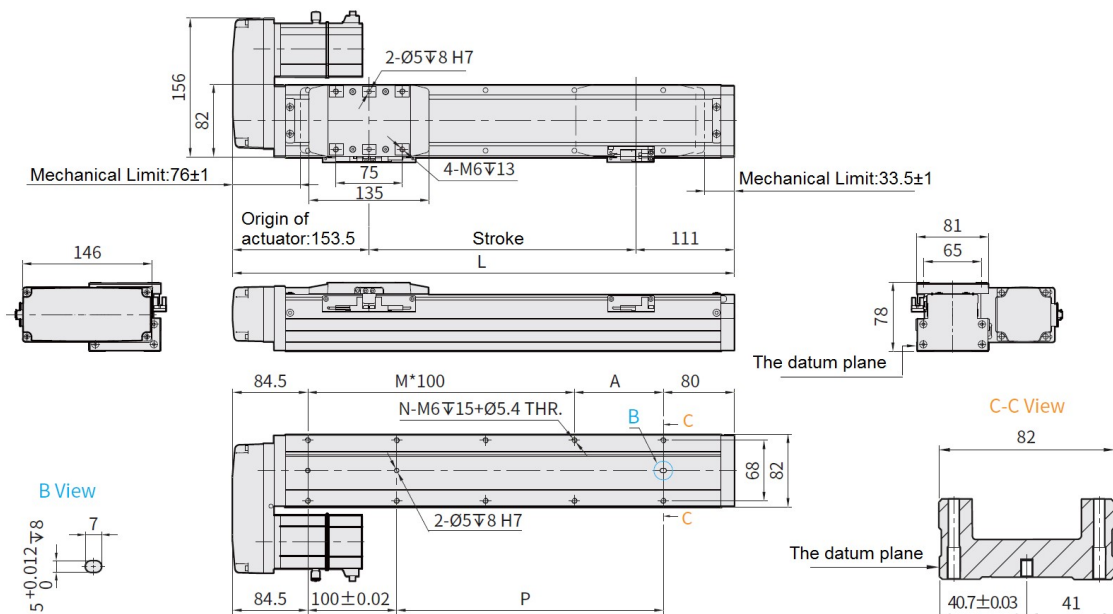
Cat :

Motor Left Side - L



Stroke	50	100	150	200	250	300	350	400	450	500	550	600	650	700	750	800	850	900	950	1000	1050	1100
L	314.5	364.5	414.5	464.5	514.5	564.5	614.5	664.5	714.5	764.5	814.5	864.5	914.5	964.5	1014.5	1064.5	1114.5	1164.5	1214.5	1264.5	1314.5	1364.5
A	50	100	50	100	50	100	50	100	50	100	50	100	50	100	50	100	50	100	50	100	50	100
M	1	1	2	2	3	3	4	4	5	5	6	6	7	7	8	8	9	9	10	10	11	11
N	6	6	8	8	10	10	12	12	14	14	16	16	18	18	20	20	22	22	24	24	26	26
P	50	100	150	200	250	300	350	400	450	500	550	600	650	700	750	800	850	900	950	1000	1050	1100
Weight(Kg)	3.95	4.33	4.74	5.09	5.39	5.72	6.04	6.39	6.68	7.01	7.45	7.75	8.16	8.45	8.69	9.00	9.41	9.66	10.08	10.32	10.74	11.16

Motor Right Side - R



Stroke	50	100	150	200	250	300	350	400	450	500	550	600	650	700	750	800	850	900	950	1000	1050	1100
L	314.5	364.5	414.5	464.5	514.5	564.5	614.5	664.5	714.5	764.5	814.5	864.5	914.5	964.5	1014.5	1064.5	1114.5	1164.5	1214.5	1264.5	1314.5	1364.5
A	50	100	50	100	50	100	50	100	50	100	50	100	50	100	50	100	50	100	50	100	50	100
M	1	1	2	2	3	3	4	4	5	5	6	6	7	7	8	8	9	9	10	10	11	11
N	6	6	8	8	10	10	12	12	14	14	16	16	18	18	20	20	22	22	24	24	26	26
P	50	100	150	200	250	300	350	400	450	500	550	600	650	700	750	800	850	900	950	1000	1050	1100
Weight(Kg)	3.95	4.33	4.74	5.09	5.39	5.72	6.04	6.39	6.68	7.01	7.45	7.75	8.16	8.45	8.69	9.00	9.41	9.66	10.08	10.32	10.74	11.16

Linear Electric Actuator

Series AELS

Cat :

How to order

AELS082

Lead	
05	5mm
10	10mm
20	20mm

Stroke	
0050-1100mm	

Motor Position	
D	Direct
L	Left Side
R	Right Side
B	Bottom Side

Motor Specification	
AC Servo	
D	Delta
Y	Yaskawa
M	Mitsubishi
P	Panasonic
V	INVT
T	Others

Motor Power	
AC Servo	
C	200W
D	400W

Brake	
	Without Brake
B	With Brake

Encoder Type	
	Incremental
A	Absolute

Communication Type	
Basic Type	
C0	Modbus
C1	CAN Open
C2	Ether CAT
C3	PROFINET
C4	PROFIBUS
C5	Ethernet/IP
C6	Other Protocol - 1
C7	Other Protocol - 2
C8	Own Protocol -1*
C9	Own Protocol -2*

Motor & Encoder Cable	
1	1m
3	3m
5	5m
T	10m

I/O Cable	
N	Without Cable (Stand.)
1	1m
A	1.5m
2	2m

Note : * Based on Motor make

Customization Order no	
XXXX	Special Requirements

Example :1

Order no. for Rodless type ball screw electric actuator 82mm size, 5mm Lead, 50mm stroke with delta 200W AC servo motor mounted at the motor Direct, With 3m Motor & Encoder cable.

AELS082050050D-DC-3N

Example :2

Order no. for Rodless type ball screw electric actuator 82mm size, 5mm Lead, 50mm stroke without delta 200W AC servo motor mounted at the motor Direct.

AELS082050050D-DC

Linear Electric Actuator

Series AELS

Cat :

Rodless Type Ball Screw Actuator - 120mm

Features

- ❑ Compact Robust Design
- ❑ Highly flexible mounting
- ❑ More Precise & positioning
- ❑ Ease of positioning
- ❑ Ease of Maintenance



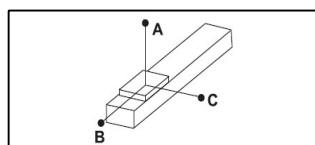
Technical Specifications

Repeatability (mm)		±0.01			
Motor Power (AC Servo in W)		400			
Ball Screw Lead (mm)		5	10	20	32
Maximum Speed (mm/s)*		250	500	1000	1600
Maximum Payload	Horizontal (Kg)	110	88	40	30
	Vertical (Kg)	33	22	10	8
Rated Thrust (N)		1388	694	347	218
Stroke (mm)**		50-1250mm			
Ball Screw Ø (mm)		C7 Ø 16			
Coupling (mm)		10x14			
Home Sensor	Outside	EE-SX674 (NPN)			

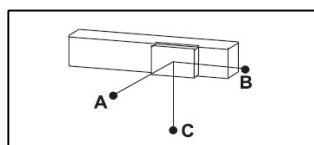
* Acceleration and deceleration value is set 0.2 second

** When the stroke is over 800mm the run-out of the ball screw will occur. We recommend to low down the working speed under circumstances. Please refer to P1.18 for details.

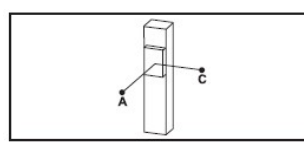
Allowable Moment



Unit:mm

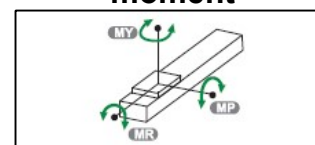


Unit:mm



Unit:mm

Static loading moment



Unit:Nm

Horizontal Installation		A	B	C
5 Lead	60Kg	2850	250	340
	80Kg	2100	180	250
	110K	1500	120	170
10 Lead	30Kg	2850	490	600
	50Kg	1700	280	350
	88Kg	950	140	190
20 Lead	10Kg	3400	1250	1400
	22Kg	1650	550	620
	40Kg	900	290	330
32 Lead	15Kg	1100	570	550
	25Kg	620	330	320
	30Kg	520	270	260

Wall Installation		A	B	C
5 Lead	55Kg	280	280	3300
	75Kg	200	195	2400
	110Kg	130	125	1550
10 Lead	35Kg	400	410	2500
	55Kg	245	250	1550
	88Kg	150	150	950
20 Lead	12Kg	900	1070	3000
	20Kg	550	630	1800
	40Kg	260	300	900
32 Lead	15Kg	440	570	1050
	30Kg	210	270	520
	-	-	-	-

Vertical Installation		A	C
5 Lead	15Kg	1200	1200
	22Kg	820	820
	33Kg	550	550
10 Lead	10Kg	1600	1600
	14Kg	1150	1150
	22Kg	730	730
20 Lead	7Kg	1800	1800
	10Kg	1250	1250
	-	-	-
32 Lead	5Kg	1600	1600
	8Kg	1000	1000
	-	-	-

MY	606
MP	606
MR	1168

Note:

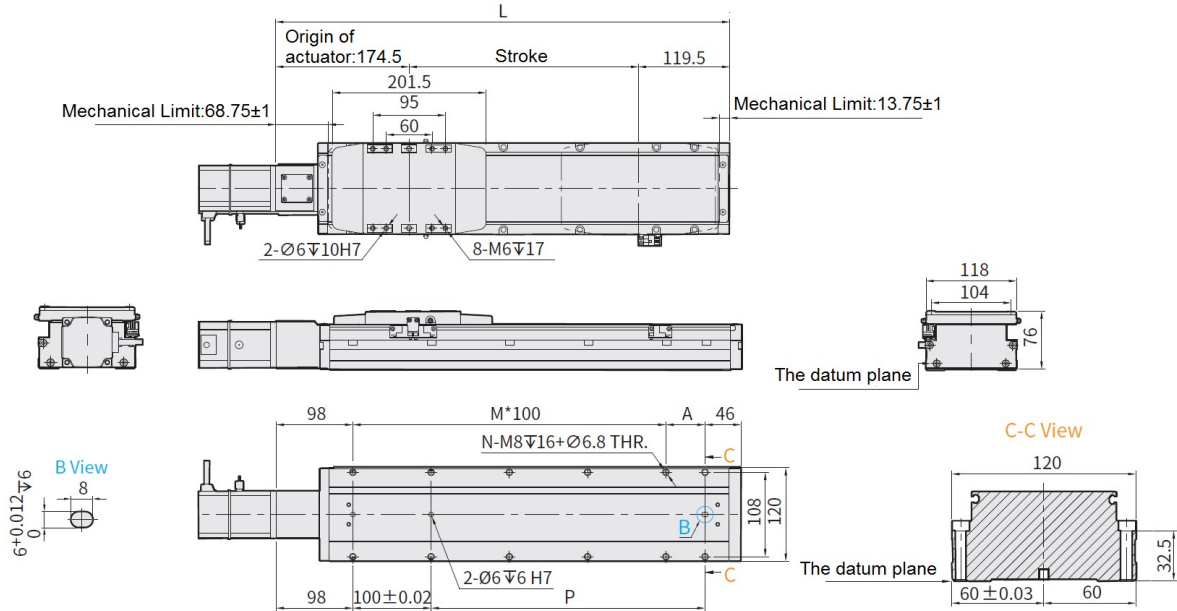
- The torque value in the chart indicates the center of gravity.
- Operation life is 10,000Km when the product is using under the specified conditions.
- Data information is not for ceiling-mount inverse use. Contact us for the details if you want to apply ceiling-mount inverse usage

Linear Electric Actuator

Series AELS

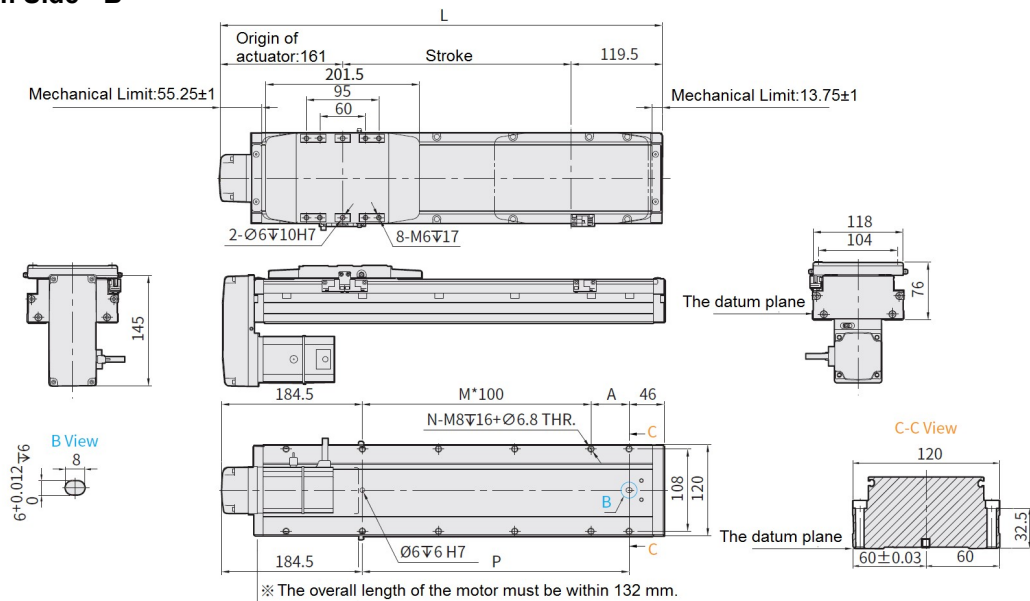
Cat :

Motor Direct - D



Stroke	50	100	150	200	250	300	350	400	450	500	550	600	650	700	750	800	850	900	950	1000	1050	1100	1150	1200	1250
L	344	394	444	494	544	594	644	694	744	794	844	894	944	994	1044	1094	1144	1194	1244	1294	1344	1394	1444	1494	1544
A	100	50	100	50	100	50	100	50	100	50	100	50	100	50	100	50	100	50	100	50	100	50	100	50	100
M	1	2	2	3	3	4	4	5	5	6	6	7	7	8	8	9	9	10	10	11	11	12	12	13	13
N	6	8	8	10	10	12	12	14	14	16	16	18	18	20	20	22	22	24	24	26	26	28	28	30	30
P	100	150	200	250	300	350	400	450	500	550	600	650	700	750	800	850	900	950	1000	1050	1100	1150	1200	1250	1300
Weight(Kg)	5.05	5.4	5.75	6.1	6.45	6.8	7.15	7.5	7.85	8.2	8.55	8.9	9.25	9.6	9.95	10.3	10.65	11	11.35	11.7	12.05	12.4	12.75	13.1	13.45

Motor Bottom Side - B



Stroke	50	100	150	200	250	300	350	400	450	500	550	600	650	700	750	800	850	900	950	1000	1050	1100	1150	1200	1250
L	330.5	380.5	430.5	480.5	530.5	580.5	630.5	680.5	730.5	780.5	830.5	880.5	930.5	980.5	1030.5	1080.5	1130.5	1180.5	1230.5	1280.5	1330.5	1380.5	1430.5	1480.5	1530.5
A	100	50	100	50	100	50	100	50	100	50	100	50	100	50	100	50	100	50	100	50	100	50	100	50	100
M	0	1	1	2	2	3	3	4	4	5	5	6	6	7	7	8	8	9	9	10	10	11	11	12	12
N	4	6	6	8	8	10	10	12	12	14	14	16	16	18	18	20	20	22	22	24	24	26	26	28	28
P	100	150	200	250	300	350	400	450	500	550	600	650	700	750	800	850	900	950	1000	1050	1100	1150	1200	1250	1300
Weight(Kg)	5.21	5.56	5.91	6.26	6.61	6.96	7.31	7.66	8.01	8.36	8.71	9.06	9.41	9.76	10.11	10.46	10.81	11.16	11.51	11.86	12.21	12.56	12.91	13.26	13.61

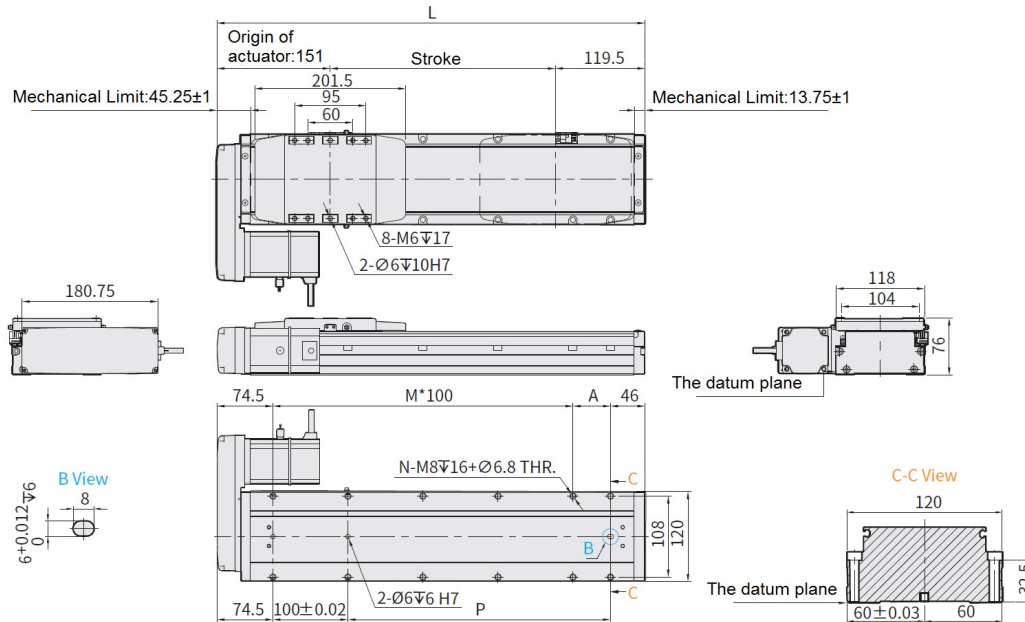
(Note : When motor with brake assembled on lower side, or the total length over than spec limit, it may not use standard pin hole. Please contact us if you need more information.)

Linear Electric Actuator

Series AELS

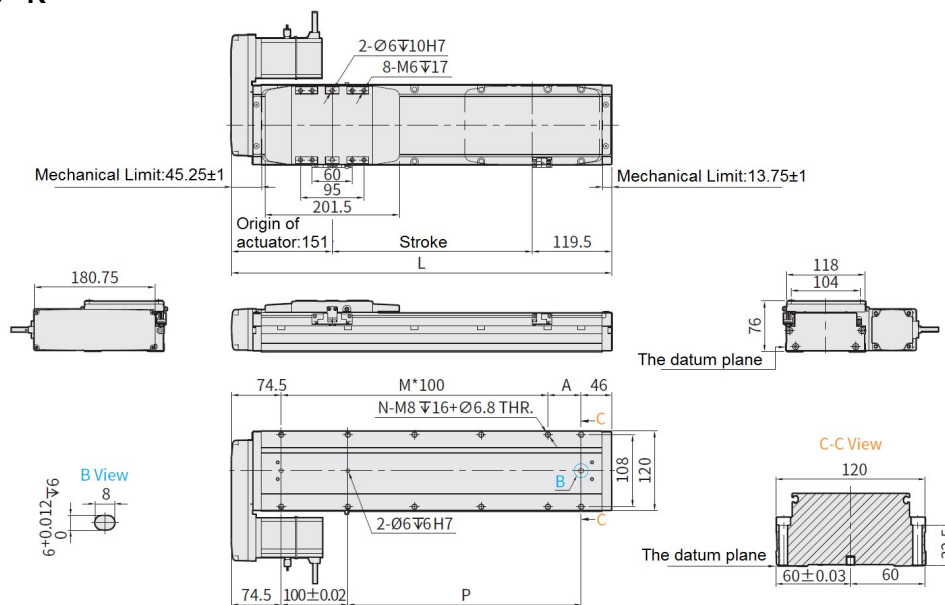
Cat :

Motor Left Side - L



Stroke	50	100	150	200	250	300	350	400	450	500	550	600	650	700	750	800	850	900	950	1000	1050	1100	1150	1200	1250
L	320.5	370.5	420.5	470.5	520.5	570.5	620.5	670.5	720.5	770.5	820.5	870.5	920.5	970.5	1020.5	1070.5	1120.5	1170.5	1220.5	1270.5	1320.5	1370.5	1420.5	1470.5	1520.5
A	100	50	100	50	100	50	100	50	100	50	100	50	100	50	100	50	100	50	100	50	100	50	100	50	100
M	1	2	2	3	3	4	4	5	5	6	6	7	7	8	8	9	9	10	10	11	11	12	12	13	13
N	6	8	8	10	10	12	12	14	14	16	16	18	18	20	20	22	22	24	24	26	26	28	28	30	30
P	100	150	200	250	300	350	400	450	500	550	600	650	700	750	800	850	900	950	1000	1050	1100	1150	1200	1250	1300
Weight(Kg)*	5.25	5.6	5.95	6.3	6.65	7	7.35	7.7	8.05	8.4	8.75	9.1	9.45	9.8	10.15	10.85	11.2	11.55	11.9	12.25	12.6	12.56	12.91	13.26	13.61

Motor Right Side - R



Stroke	50	100	150	200	250	300	350	400	450	500	550	600	650	700	750	800	850	900	950	1000	1050	1100	1150	1200	1250
L	320.5	370.5	420.5	470.5	520.5	570.5	620.5	670.5	720.5	770.5	820.5	870.5	920.5	970.5	1020.5	1070.5	1120.5	1170.5	1220.5	1270.5	1320.5	1370.5	1420.5	1470.5	1520.5
A	100	50	100	50	100	50	100	50	100	50	100	50	100	50	100	50	100	50	100	50	100	50	100	50	100
M	1	2	2	3	3	4	4	5	5	6	6	7	7	8	8	9	9	10	10	11	11	12	12	13	13
N	6	8	8	10	10	12	12	14	14	16	16	18	18	20	20	22	22	24	24	26	26	28	28	30	30
P	100	150	200	250	300	350	400	450	500	550	600	650	700	750	800	850	900	950	1000	1050	1100	1150	1200	1250	1300
Weight(Kg)	5.25	5.6	5.95	6.3	6.65	7	7.35	7.7	8.05	8.4	8.75	9.1	9.45	9.8	10.15	10.85	11.2	11.55	11.9	12.25	12.6	12.56	12.91	13.26	13.61

Linear Electric Actuator

Series AELS

Cat :

How to order

AELS120

Lead	
05	5mm
10	10mm
20	20mm
32	32mm

Stroke	
0050-1200mm	

Motor Position	
D	Direct
L	Left Side
R	Right Side
B	Bottom Side

Motor Specification	
AC Servo	
D	Delta
Y	Yaskawa
M	Mitsubishi
P	Panasonic
V	INVT
T	Others

Motor Power	
AC Servo	
D	400W

Brake	
	Without Brake
B	With Brake

Encoder Type	
	Incremental
A	Absolute

Communication Type	
Basic Type	
C0	Modbus
C1	CAN Open
C2	Ether CAT
C3	PROFINET
C4	PROFIBUS
C5	Ethernet/IP
C6	Other Protocol - 1
C7	Other Protocol - 2
C8	Own Protocol -1*
C9	Own Protocol -2*

Motor & Encoder Cable	
1	1m
3	3m
5	5m
T	10m

I/O Cable	
N	Without Cable (Stand.)
1	1m
A	1.5m
2	2m

Note : * Based on Motor make

Customization Order no	
XXXX	Special Requirements

Example :1

Order no. for Rodless type ball screw electric actuator 120mm size, 5mm Lead, 50mm stroke with delta 400W AC servo mounted at the motor Direct, With 3m Motor & Encoder cable.

AELS120050050D-DD-3N

Example :2

Order no. for Rodless type ball screw electric actuator 120mm size, 5mm Lead, 50mm stroke without delta 400W AC servo motor mounted at the motor Direct.

AELS120050050D-DD

Linear Electric Actuator

Series AELS

Cat :

Speed Stroke Characteristics:

Size (mm)	Motor Output (W)	Ball Screw lead (mm)	Max. Payload (Kg)		Max Speed* (mm/s)	Stroke (mm) & Max. Speed (mm/s)**																																			
			Horizontal	Vertical		50	100	150	200	250	300	350	400	450	500	550	600	650	700	750	800	850	900	950	1000	1050	1100	1150	1200	1250											
44	100	2	25	8	100	100														90	80	70	60	50																	
		6	20	8	300	300														270	270	240	210	180																	
		12	12	3.5	600	600														540	540	480	420	360																	
54	100	2	30	10	100	100														90	80	70	60																		
		5	30	10	250	250														270	200	175	150																		
		10	15	5	500	500														450	400	350	300																		
		20	10	2.5	1000	1000														900	800	700	600																		
82	200/400	5	50	15	250	250														225	200	175	150	125	100	75															
		10	30	8	500	500														450	400	350	300	250	200	150															
		20	18	3	1000	1000														900	800	700	600	500	400	300															
120	400	5	110	33	250	250														225	200	175	167	158	150	133	125	117													
		10	88	22	500	500														450	400	350	333	317	300	267	250	233													
		20	40	10	1000	1000														900	800	700	667	633	600	533	500	467													
		32	30	8	1600	1600														1440	1280	1120	1067	1013	900	853	800	747													

* The highest speed is based on the maximum servo motor's rpm (3000)
 ** Written here is the standard stroke's maximum safe speed. If over speed, it may cause serious vibration.

Linear Electric Actuator

Series AERS

Cat :

Rod Type Ball Screw Actuator Series



Size (in mm)	Repeatability (in mm)	Ball Screw Lead (in mm)	Max. Speed (in mm/s)	Max.Payload (in Kg)		Stroke (in mm)			
				Horizontal	Vertical				
44	±0.01	2	100	25	8	50 - 500			
		6	300	20	5				
		12	600	12	2				
54		±0.01	2	100	30	10	50 - 600		
			5	250	30	10			
			10	500	15	5			
			20	1000	10	2.5			
82			±0.01	5	250	50	15	50 - 800	
				10	500	30	8		
				20	1000	18	3		
120				±0.01	5	250	110	33	50 - 800
					10	500	88	22	
	20				1000	40	10		
	32				1600	30	8		

Linear Electric Actuator

Series AERS

Cat :

Rod Type Ball Screw Actuator - 44mm

Features

- Compact robust design
- Highly flexible mounting
- More precise & positioning
- Ease of positioning
- Ease of maintenance

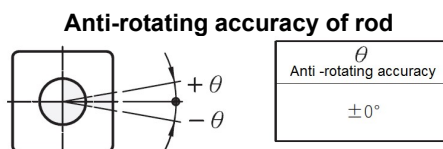
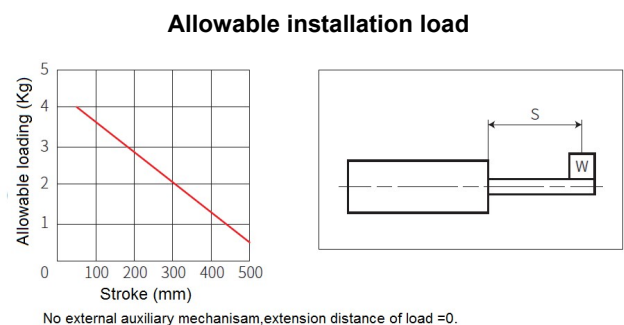
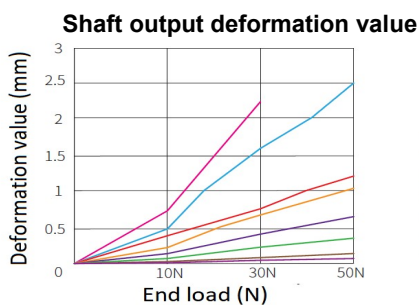


Technical Specifications

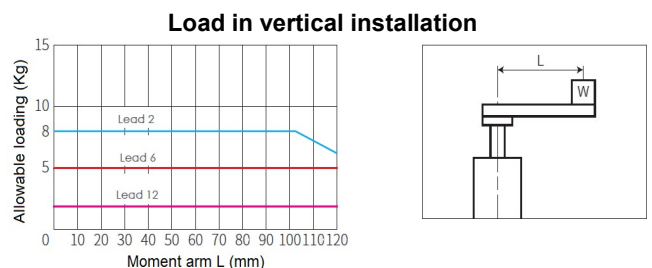
Repeatability (mm)		±0.01		
Motor Power (AC Servo in W)		100		
Ball screw lead (mm)		2	6	12
Maximum speed (mm/s)*		100	300	600
Maximum payload	Horizontal (Kg)**	25	20	12
	Vertical (Kg)	8	5	2
Rated thrust (N)		424	141	71
Stroke (mm)		50-500mm		
Ball screw Ø (mm)		C7 Ø 10		
Coupling (mm)		7x8		
Home sensor	Outside	CS-6T (NPN)		

*Acceleration and deceleration value is set 0.2sec.

**If payload is near maximum, it requires to collocate externally with auxiliary guideway for bearing radial load.



Avoid using the electric actuator in such a way that rotational torque would be applied to the piston rod. This may cause deformation of the anti-rotating guide, abnormal responses of the auto switch, pay in the internal guide or an increase in the sliding resistance.

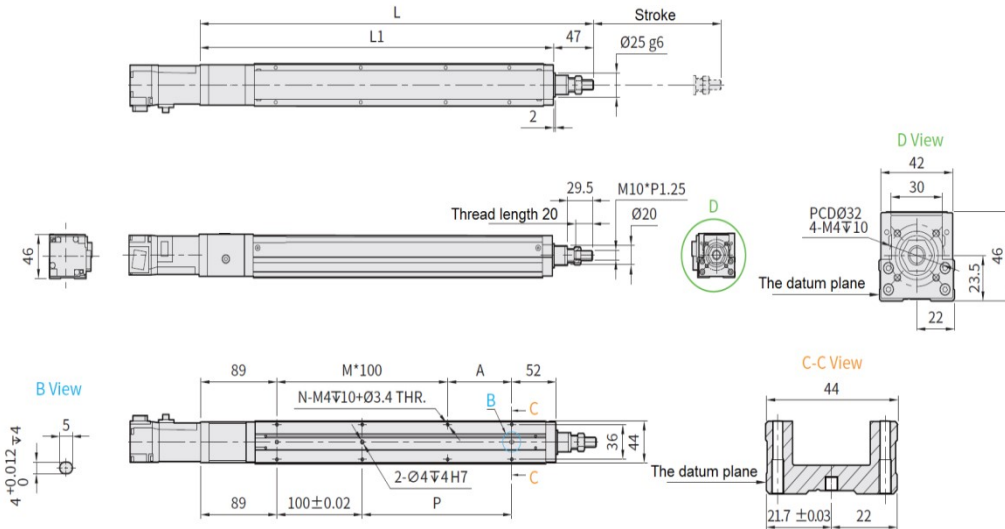


Linear Electric Actuator

Series AERS

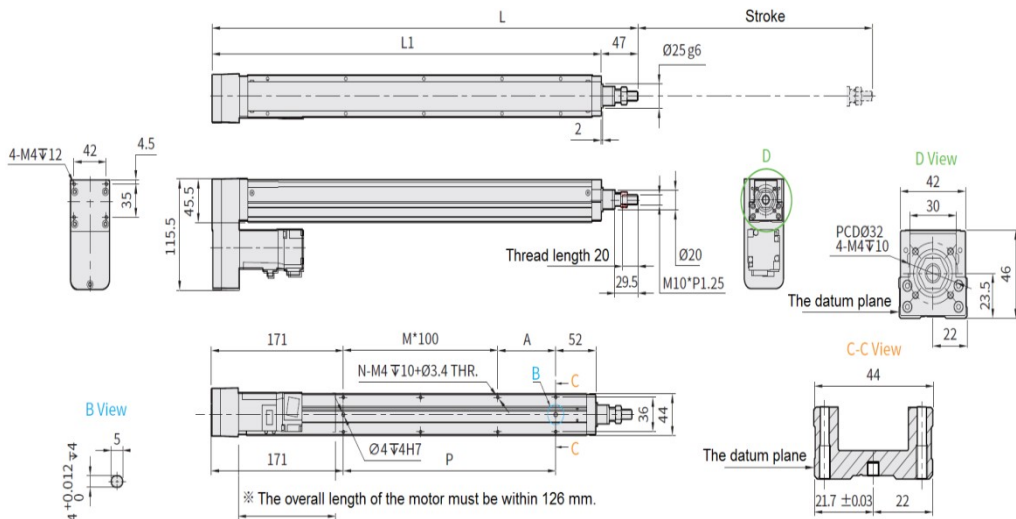
Cat :

Motor Direct - D



Stroke	50	100	150	200	250	300	350	400	450	500
L	313	363	413	463	513	563	613	663	713	763
L1	266	316	366	416	466	516	566	616	666	716
A	25	75	25	75	25	75	25	75	25	75
M	1	1	2	2	3	3	4	4	5	5
N	6	6	8	8	10	10	12	12	14	14
P	25	75	125	175	225	275	325	375	425	475
Weight(Kg)	0.70	0.87	1.04	1.22	1.40	1.58	1.76	1.94	2.12	2.30

Motor Bottom Side - B



Stroke	50	100	150	200	250	300	350	400	450	500
L	295	345	395	445	495	545	595	645	695	745
L1	248	298	348	398	448	498	548	598	648	698
A	25	75	25	75	25	75	25	75	25	75
M	0	0	1	1	2	2	3	3	4	4
N	4	4	6	6	8	8	10	10	12	12
P	25	75	125	175	225	275	325	375	425	475
Weight(Kg)	0.70	0.88	1.06	1.24	1.42	1.60	1.78	1.96	2.14	2.32

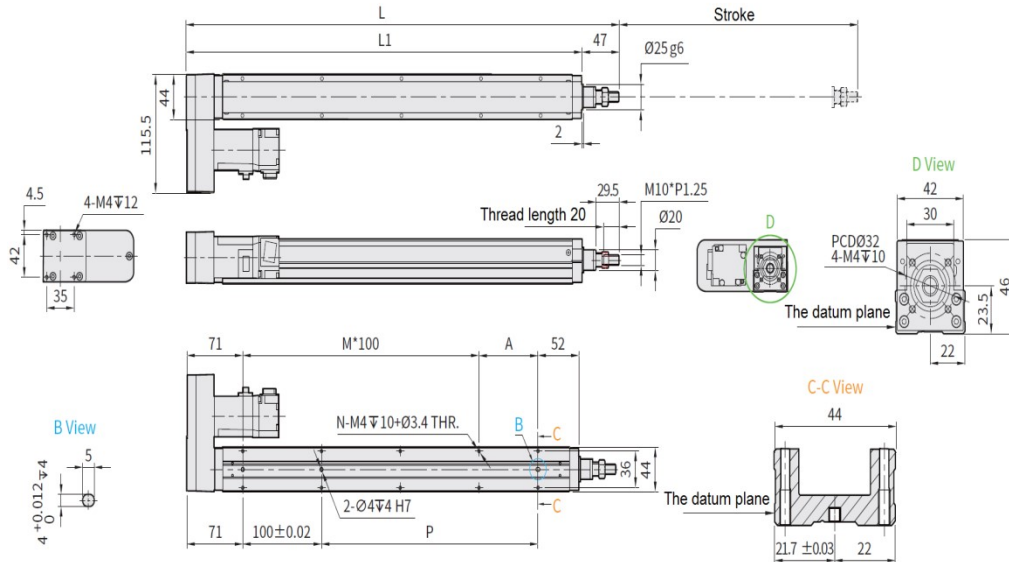
(Note: When motor with brake assembled on lower side, or the total length over than spec limit, it may not use standard pinhole. Please contact us if you need more information.)

Linear Electric Actuator

Series AERS

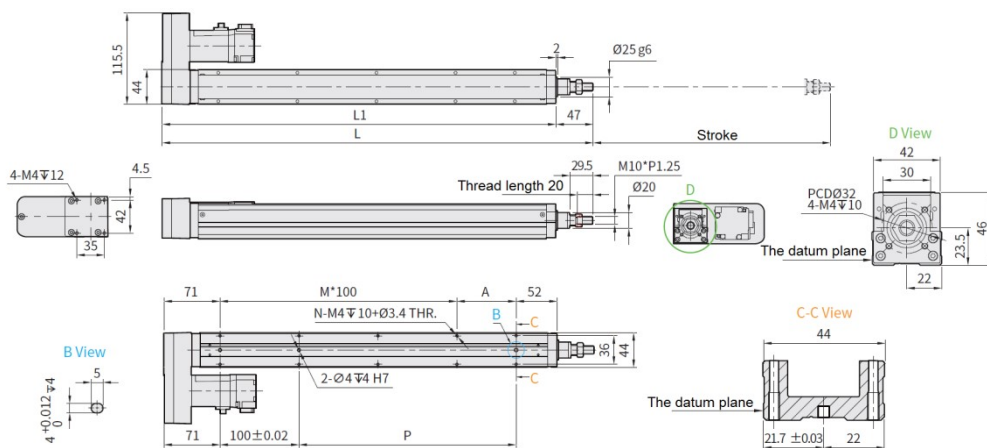
Cat :

Motor Left Side - L



Stroke	50	100	150	200	250	300	350	400	450	500
L	295	345	395	445	495	545	595	645	695	745
L1	248	298	348	398	448	498	548	598	648	698
A	25	75	25	75	25	75	25	75	25	75
M	1	1	2	2	3	3	4	4	5	5
N	6	6	8	8	10	10	12	12	14	14
P	25	75	125	175	225	275	325	375	425	475
Weight(Kg)	0.70	0.88	1.06	1.24	1.42	1.60	1.78	1.96	2.14	2.32

Motor Right Side - R



Stroke	50	100	150	200	250	300	350	400	450	500
L	295	345	395	445	495	545	595	645	695	745
L1	248	298	348	398	448	498	548	598	648	698
A	25	75	25	75	25	75	25	75	25	75
M	1	1	2	2	3	3	4	4	5	5
N	6	6	8	8	10	10	12	12	14	14
P	25	75	125	175	225	275	325	375	425	475
Weight(Kg)	0.70	0.88	1.06	1.24	1.42	1.60	1.78	1.96	2.14	2.32

Linear Electric Actuator

Series AERS

Cat :

How to order

AERS044

Lead	
02	2mm
06	6mm
12	12mm

Stroke	
0050-0500mm	

Motor Position	
D	Direct
L	Left Side
R	Right Side
B	Bottom Side

Motor Specification	
AC Servo	
D	Delta
Y	Yaskawa
M	Mitsubishi
P	Panasonic
V	INVT
T	Others

Motor Power	
AC Servo	
B	100W

Brake	
	Without Brake
B	With Brake

Encoder Type	
	Incremental
A	Absolute

Communication Type	
	Basic Type
C0	Modbus
C1	CAN Open
C2	Ether CAT
C3	PROFINET
C4	PROFIBUS
C5	Ethernet/IP
C6	Other Protocol - 1
C7	Other Protocol - 2
C8	Own Protocol -1*
C9	Own Protocol -2*

Motor & Encoder Cable	
1	1m
3	3m
5	5m
T	10m

I/O Cable	
N	Without Cable (Stand.)
1	1m
A	1.5m
2	2m

Note : * Based on Motor make

Customization Order no	
XXXX	Special Requirements

Example:1

Order no. for Rod type ball screw electric actuator 44mm size, 6mm Lead, 200mm stroke with delta 100W servo motor mounted at the motor Direct, With 3m Motor & Encoder cable.

AERS044060200D-DB-3N

Example:2

Order no. for Rod type ball screw electric actuator 44mm size, 6mm Lead, 200mm stroke without delta 100W servo motor mounted at the motor Direct.

AERS044060200D-DB

Linear Electric Actuator

Series AERS

Cat :

Rod Type Ball Screw Actuator - 54mm

Features

- Compact robust design
- Highly flexible mounting
- More precise & positioning
- Ease of positioning
- Ease of maintenance



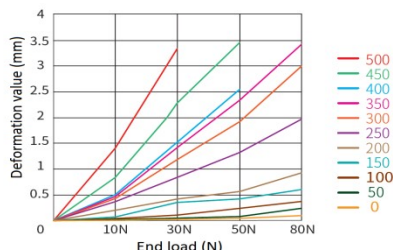
Technical Specifications

Repeatability (mm)		±0.01			
Motor Power (AC Servo in W)		100			
Ball screw lead (mm)		2	5	10	20
Maximum speed (mm/s)*		100	250	500	1000
Maximum payload	Horizontal (Kg)**	30	30	15	10
	Vertical (Kg)	10	10	5	2.5
Rated thrust (N)		854	341	170	85
Stroke		50-600mm			
Ball screw Ø (mm)		C7 Ø 12			
Coupling (mm)		7x8			
Home sensor	Outside	CS-6T (NPN)			

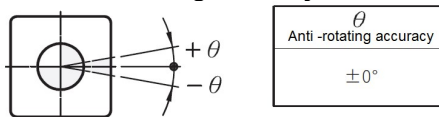
*Acceleration and deceleration value is set 0.2sec.

**If payload is near maximum, it requires to collocate externally with auxiliary guideway for bearing radial load.

Shaft output deformation value

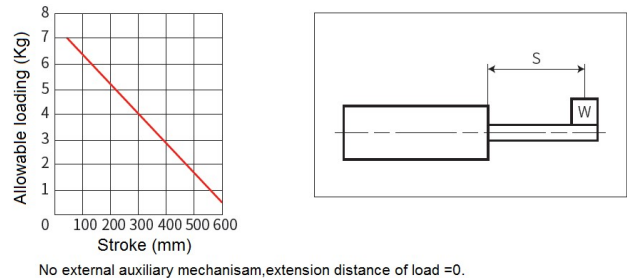


Anti-rotating accuracy of rod



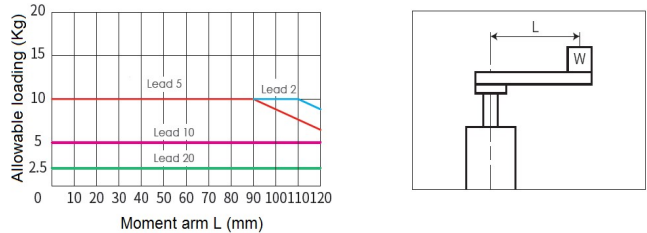
Avoid using the electric actuator in such a way that rotational torque would be applied to the piston rod. This may cause deformation of the anti-rotating guide, abnormal responses of the auto switch, pay in the internal guide or an increase in the sliding resistance.

Allowable installation load



No external auxiliary mechanism, extension distance of load =0.

Load in vertical installation



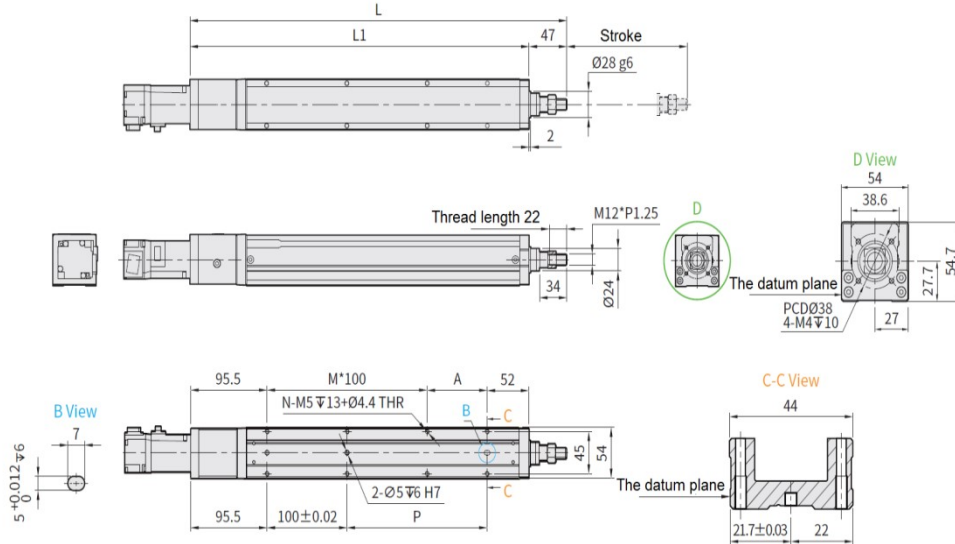
Calculate conditions: 3000 rpm/min, acceleration and deceleration value is set 0.2 sec.

Linear Electric Actuator

Series AERS

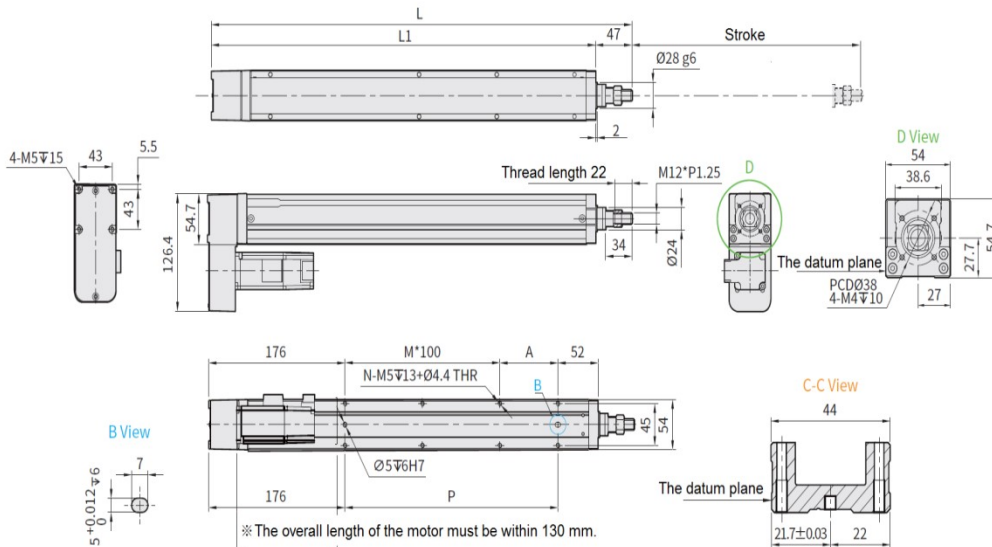
Cat :

Motor Direct - D



Stroke	50	100	150	200	250	300	350	400	450	500	550	600
L	319.5	369.5	419.5	469.5	519.5	569.5	619.5	669.5	719.5	769.5	819.5	869.5
L1	272.5	322.5	372.5	422.5	472.5	522.5	572.5	622.5	672.5	722.5	772.5	822.5
A	25	75	25	75	25	75	25	75	25	75	25	75
M	1	1	2	2	3	3	4	4	5	5	6	6
N	6	6	8	8	10	10	12	12	14	14	16	16
P	25	75	125	175	225	275	325	375	425	475	525	575
Weight(Kg)	2.08	2.22	2.35	2.54	2.82	2.93	2.95	3.18	3.29	3.38	3.58	3.71

Motor Bottom Side - B



Stroke	50	100	150	200	250	300	350	400	450	500	550	600
L	300	350	400	450	500	550	600	650	700	750	800	850
L1	253	303	353	403	453	503	553	603	653	703	753	803
A	25	75	25	75	25	75	25	75	25	75	25	75
M	0	0	1	1	2	2	3	3	4	4	5	5
N	4	4	6	6	8	8	10	10	12	12	14	14
P	25	75	125	175	225	275	325	375	425	475	525	575
Weight(Kg)	2.00	2.12	2.35	2.46	2.74	2.85	2.90	3.10	3.21	3.30	3.50	3.63

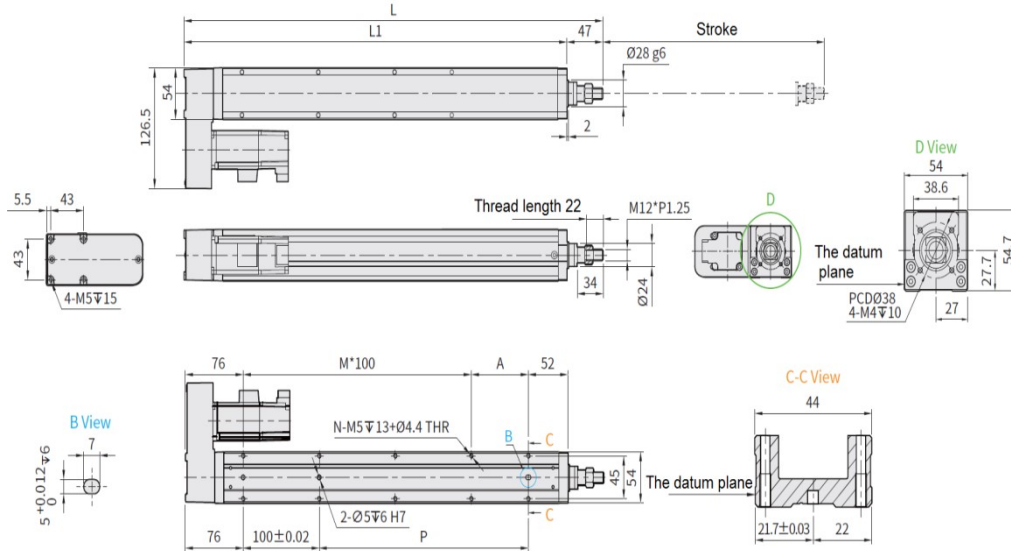
(Note: When motor with brake assembled on lower side, or the total length over than spec limit, it may not use standard pinhole. Please contact us if you need more information.)

Linear Electric Actuator

Series AERS

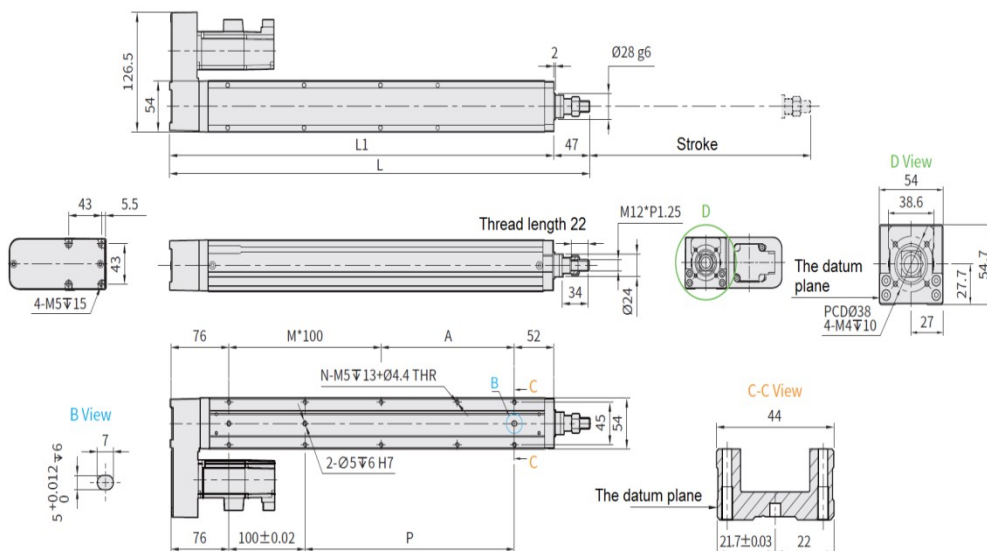
Cat :

Motor Left Side - L



Stroke	50	100	150	200	250	300	350	400	450	500	550	600
L	300	350	400	450	500	550	600	650	700	750	800	850
L1	253	303	353	403	453	503	553	603	653	703	753	803
A	25	75	25	75	25	75	25	75	25	75	25	75
M	1	1	2	2	3	3	4	4	5	5	6	6
N	6	6	8	8	10	10	12	12	14	14	16	16
P	25	75	125	175	225	275	325	375	425	475	525	575
Weight(Kg)	2.00	2.12	2.35	2.46	2.74	2.85	2.90	3.10	3.21	3.30	3.50	3.63

Motor Right Side - R



Stroke	50	100	150	200	250	300	350	400	450	500	550	600
L	300	350	400	450	500	550	600	650	700	750	800	850
L1	253	303	353	403	453	503	553	603	653	703	753	803
A	25	75	25	75	25	75	25	75	25	75	25	75
M	1	1	2	2	3	3	4	4	5	5	6	6
N	6	6	8	8	10	10	12	12	14	14	16	16
P	25	75	125	175	225	275	325	375	425	475	525	575
Weight(Kg)	2.00	2.12	2.35	2.46	2.74	2.85	2.90	3.10	3.21	3.30	3.50	3.63

Linear Electric Actuator

Series AERS

Cat :

How to order

AERS054

Lead	
02	2mm
05	5mm
10	10mm
20	20mm

Stroke	
0050-0600mm	

Motor Position	
D	Direct
L	Left Side
R	Right Side
B	Bottom Side

Motor Specification	
AC Servo	
D	Delta
Y	Yaskawa
M	Mitsubishi
P	Panasonic
V	INVT
T	Others

Motor Power	
AC Servo	
B	100W

Brake	
	Without Brake
B	With Brake

Encoder Type	
	Incremental
A	Absolute

Communication Type	
	Basic Type
C0	Modbus
C1	CAN Open
C2	Ether CAT
C3	PROFINET
C4	PROFIBUS
C5	Ethernet/IP
C6	Other Protocol - 1
C7	Other Protocol - 2
C8	Own Protocol -1*
C9	Own Protocol -2*

Motor & Encoder Cable	
1	1m
3	3m
5	5m
T	10m

I/O Cable	
N	Without Cable (Stand.)
1	1m
A	1.5m
2	2m

Note : * Based on Motor make

Customization Order no	
XXXX	Special Requirements

Example:1

Order no. for Rod type ball screw electric actuator 54mm size, 5mm Lead, 150mm stroke with delta 100W servo motor mounted at the motor Direct, With 3m Motor & Encoder cable.

AERS054050150D-DB-3N

Example:2

Order no. for Rod type ball screw electric actuator 54mm size, 5mm Lead, 150mm stroke without delta 100W servo motor mounted at the motor Direct.

AERS054050150D-DB

Linear Electric Actuator

Series AERS

Cat :

Rod Type Ball Screw Actuator - 82mm

Features

- Compact robust design
- Highly flexible mounting
- More precise & positioning
- Ease of positioning
- Ease of maintenance



Technical Specifications

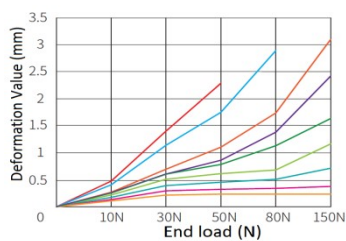
Repeatability (mm)		±0.01					
Motor Power (AC Servo in W)		200	400	200	400	200	400
Ball screw lead (mm)		5		10		20	
Maximum speed (mm/s)*		250		500		1000	
Maximum payload	Horizontal (Kg)**	50		30		18	
	Vertical (Kg)	15		8		3	
Rated thrust (N)		683	1388	341	694	174	347
Stroke (mm) @		50-800mm					
Ball screw Ø (mm)		C7 Ø 16					
Coupling (mm)		10x14					
Home sensor	Outside	CS-6T (NPN)					

*Acceleration and deceleration value is set 0.2sec.

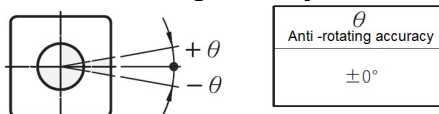
**If payload is near maximum, it requires to collocate externally with auxiliary guideway for bearing radial load.

@ When the stroke is over 750mm, the run-out of the ball screw will occur. We recommend to low down the working speed under this circumstances. Please refer to P2.18 for details.

Shaft output deformation value

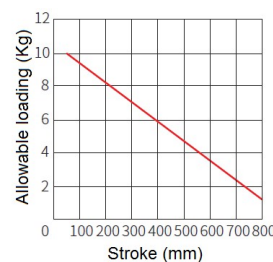


Anti-rotating accuracy of rod

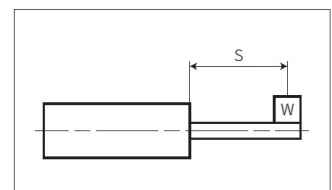


Avoid using the electric actuator in such a way that rotational torque would be applied to the piston rod. This may cause deformation of the anti-rotating guide, abnormal responses of the auto switch, pay in the internal guide or an increase in the sliding resistance.

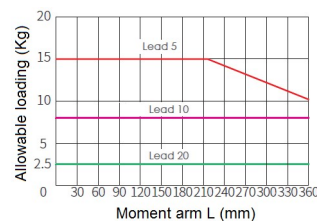
Allowable installation load



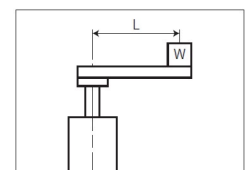
No external auxiliary mechanism, extension distance of load =0.



Load in vertical installation



Calculate conditions: 3000 rpm/min, acceleration and deceleration value is set 0.2 sec.

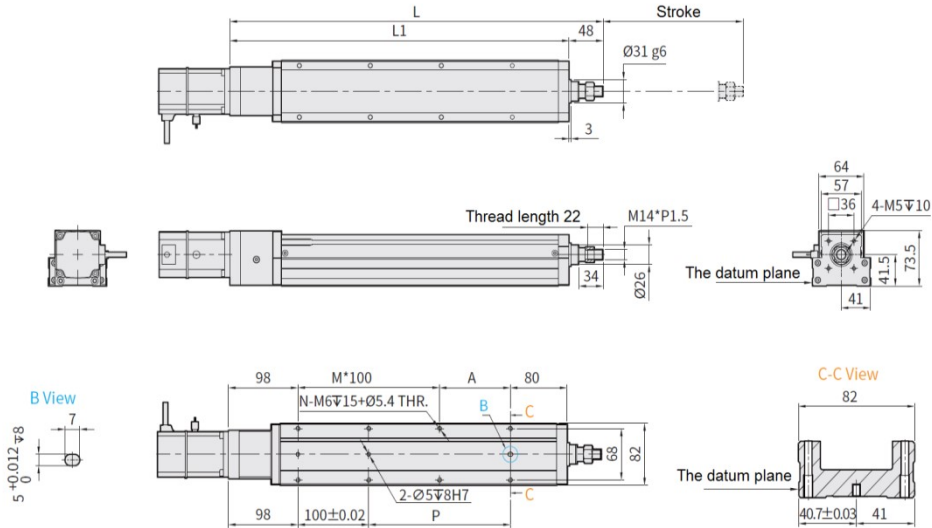


Linear Electric Actuator

Series AERS

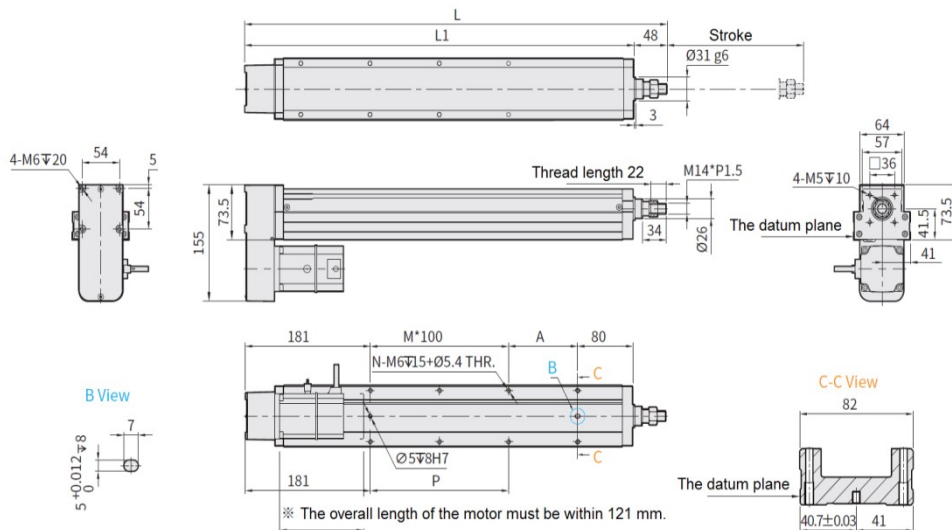
Cat :

Motor Direct - D



Stroke	50	100	150	200	250	300	350	400	450	500	550	600	650	700	750	800
L	376	426	476	526	576	626	676	726	776	826	876	926	976	1026	1076	1126
L1	328	378	428	478	528	578	628	678	728	778	828	878	928	978	1028	1078
A	50	100	50	100	50	100	50	100	50	100	50	100	50	100	50	100
M	1	1	2	2	3	3	4	4	5	5	6	6	7	7	8	8
N	6	6	8	8	10	10	12	12	14	14	16	16	18	18	20	20
P	50	100	150	200	250	300	350	400	450	500	550	600	650	700	750	800
Weight(Kg)	4.06	4.44	4.85	5.15	5.50	5.83	6.15	6.50	6.79	7.12	7.56	7.86	8.27	8.56	8.80	9.11

Motor Bottom Side - B



Stroke	50	100	150	200	250	300	350	400	450	500	550	600	650	700	750	800
L	359	409	459	509	559	609	659	709	759	809	859	909	959	1009	1059	1109
L1	311	361	411	461	511	561	611	661	711	761	811	861	911	961	1011	1061
A	50	100	50	100	50	100	50	100	50	100	50	100	50	100	50	100
M	0	0	1	1	2	2	3	3	4	4	5	5	6	6	7	7
N	4	4	6	6	8	8	10	10	12	12	14	14	16	16	18	18
P	50	100	150	200	250	300	350	400	450	500	550	600	650	700	750	800
Weight(Kg)	4.16	4.54	4.95	5.30	5.60	5.93	6.25	6.60	6.89	7.22	7.66	7.96	8.37	8.66	8.90	9.21

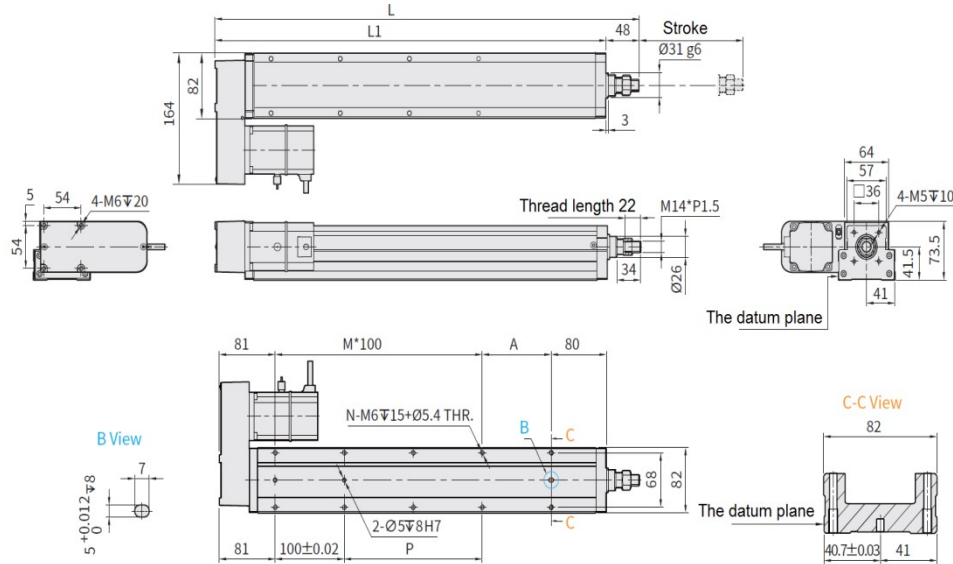
(Note: When motor with brake assembled on lower side, or the total length over than spec limit, it may not use standard pinhole. Please contact us if you need more information.)

Linear Electric Actuator

Series AERS

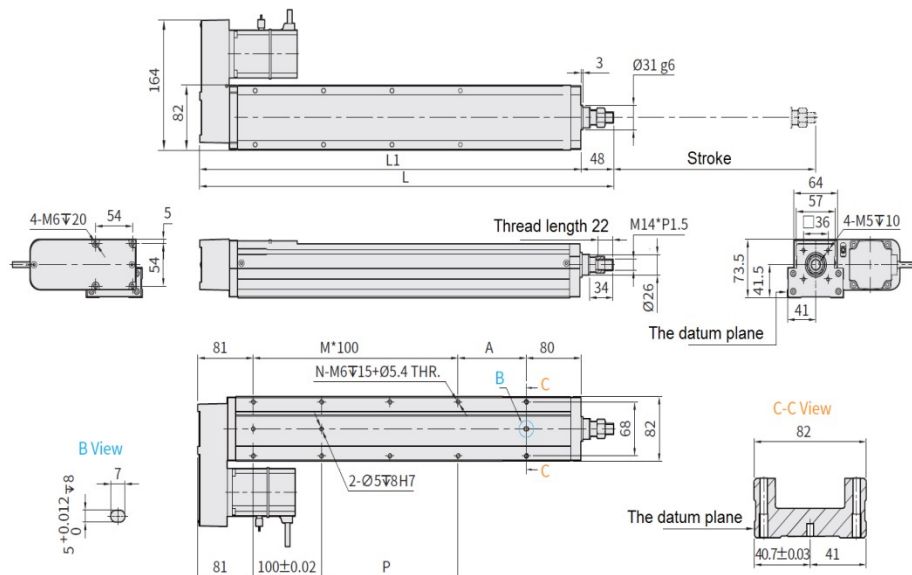
Cat :

Motor Left Side - L



Stroke	50	100	150	200	250	300	350	400	450	500	550	600	650	700	750	800
L	359	409	459	509	559	609	659	709	759	809	859	909	959	1009	1059	1109
L1	311	361	411	461	511	561	611	661	711	761	811	861	911	961	1011	1061
A	50	100	50	100	50	100	50	100	50	100	50	100	50	100	50	100
M	1	1	2	2	3	3	4	4	5	5	6	6	7	7	8	8
N	6	6	8	8	10	10	12	12	14	14	16	16	18	18	20	20
P	50	100	150	200	250	300	350	400	450	500	550	600	650	700	750	800
Weight(Kg)	4.16	4.54	4.96	5.30	5.60	5.93	6.25	6.60	6.89	7.22	7.66	7.96	8.37	8.66	8.90	9.21

Motor Right Side - R



Stroke	50	100	150	200	250	300	350	400	450	500	550	600	650	700	750	800
L	359	409	459	509	559	609	659	709	759	809	859	909	959	1009	1059	1109
L1	311	361	411	461	511	561	611	661	711	761	811	861	911	961	1011	1061
A	50	100	50	100	50	100	50	100	50	100	50	100	50	100	50	100
M	1	1	2	2	3	3	4	4	5	5	6	6	7	7	8	8
N	6	6	8	8	10	10	12	12	14	14	16	16	18	18	20	20
P	50	100	150	200	250	300	350	400	450	500	550	600	650	700	750	800
Weight(Kg)	4.16	4.54	4.95	5.3	5.6	5.93	6.25	6.6	6.89	7.22	7.66	7.96	8.37	8.66	8.9	9.21

Linear Electric Actuator

Series AERS

Cat :

How to order

AERS082

Lead	
05	5mm
10	10mm
20	20mm

Stroke	
0050-0800mm	

Motor Position	
D	Direct
L	Left Side
R	Right Side
B	Bottom Side

Motor Specification	
AC Servo	
D	Delta
Y	Yaskawa
M	Mitsubishi
P	Panasonic
V	INVT
T	Others

Motor Power	
AC Servo	
C	200W
D	400W

Brake	
	Without Brake
B	With Brake

Encoder Type	
	Incremental
A	Absolute

Communication Type	
	Basic Type
C0	Modbus
C1	CAN Open
C2	Ether CAT
C3	PROFINET
C4	PROFIBUS
C5	Ethernet/IP
C6	Other Protocol - 1
C7	Other Protocol - 2
C8	Own Protocol -1*
C9	Own Protocol -2*

Motor & Encoder Cable	
1	1m
3	3m
5	5m
T	10m

I/O Cable	
N	Without Cable (Stand.)
1	1m
A	1.5m
2	2m

Note : * Based on Motor make

Customization Order no	
XXXX	Special Requirements

Example:1

Order no. for Rod type ball screw electric actuator 82mm size, 5mm Lead, 200mm stroke with delta 200W servo motor mounted at the motor Direct, With 3m Motor & Encoder cable.

AERS082050200D-DC-3N

Example:2

Order no. for Rod type ball screw electric actuator 82mm size, 5mm Lead, 200mm stroke without delta 200W servo motor mounted at the motor Direct.

AERS082050200D-DC

Linear Electric Actuator

Series AERS

Cat :

Rod Type Ball Screw Actuator - 120mm

Features

- Compact robust design
- Highly flexible mounting
- More precise & positioning
- Ease of positioning
- Ease of maintenance



Technical Specifications

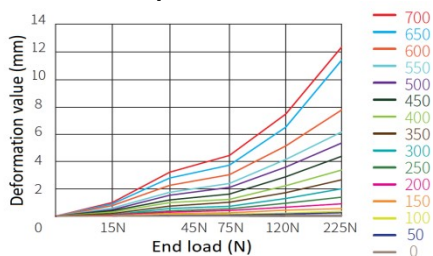
Repeatability (mm)		±0.01			
Motor Power (AC Servo in W)		400			
Ball screw lead (mm)		5	10	20	32
Maximum speed (mm/s)*		250	500	1000	1600
Maximum payload	Horizontal (Kg)**	110	88	40	30
	Vertical (Kg)	33	22	10	8
Rated thrust (N)		1388	694	347	218
Stroke (mm) @		50-800mm			
Ball screw Ø (mm)		C7 Ø 16			
Coupling (mm)		10x14			
Home sensor	Outside	CS-6T (NPN)			

*Acceleration and deceleration value is set 0.2sec.

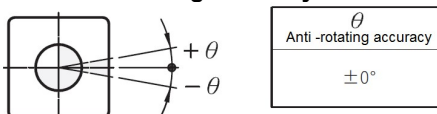
**If payload is near maximum, it requires to collocate externally with auxiliary guideway for bearing radial load.

@ When the stroke is over 750mm, the run-out of the ball screw will occur. We recommend to low down the working speed under this circumstances. Please refer to P2.18 for details.

Shaft output deformation value

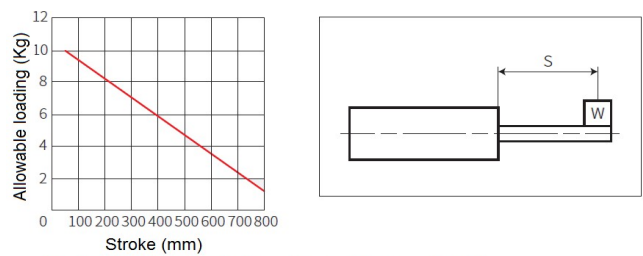


Anti-rotating accuracy of rod

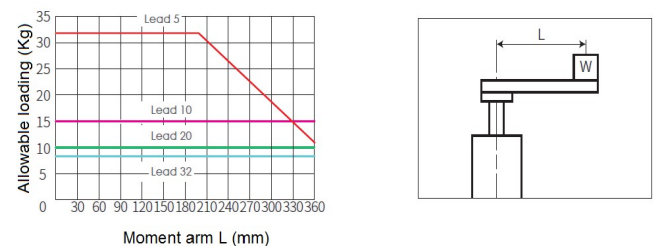


Avoid using the electric actuator in such a way that rotational torque would be applied to the piston rod. This may cause deformation of the anti-rotating guide, abnormal responses of the auto switch, pay in the internal guide or an increase in the sliding resistance.

Allowable installation load



Load in vertical installation

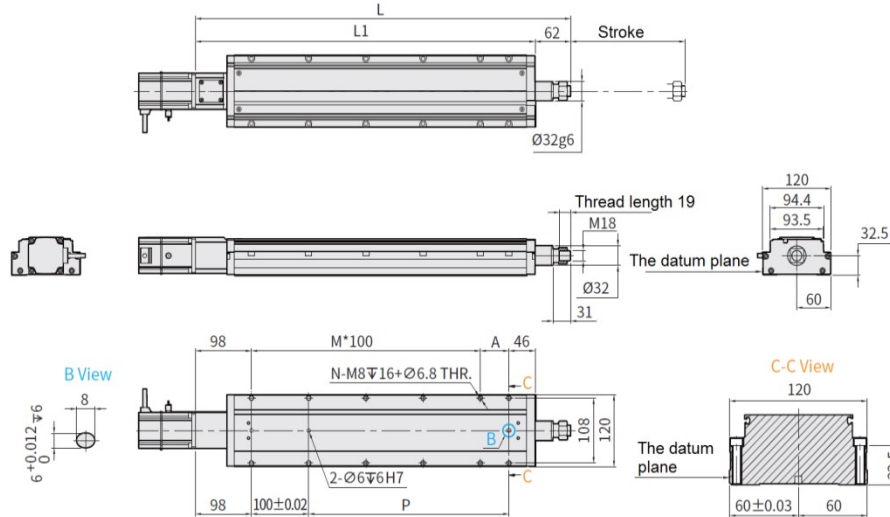


Linear Electric Actuator

Series AERS

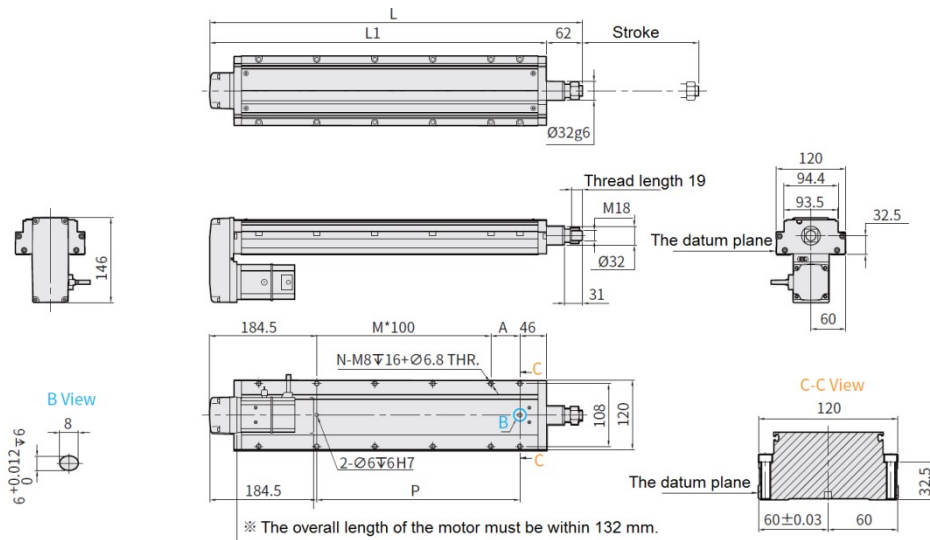
Cat :

Motor Direct - D



Stroke	50	100	150	200	250	300	350	400	450	500	550	600	650	700	750	800
L	406	456	506	556	606	656	706	756	806	856	906	956	1006	1056	1106	1156
L1	344	394	444	494	544	594	644	694	744	794	844	894	944	994	1044	1094
A	100	50	100	50	100	50	100	50	100	50	100	50	100	50	100	50
M	1	2	2	3	3	4	4	5	5	6	6	7	7	8	8	9
N	6	8	8	10	10	12	12	14	14	16	16	18	18	20	20	22
P	100	150	200	250	300	350	400	450	500	550	600	650	700	750	800	850
Weight(Kg)	4.86	5.36	5.86	6.36	6.86	7.36	7.86	8.36	8.86	9.36	9.86	10.36	10.86	11.36	11.86	12.36

Motor Bottom Side - B



Stroke	50	100	150	200	250	300	350	400	450	500	550	600	650	700	750	800
L	392.5	442.5	492.5	542.5	592.5	642.5	692.5	742.5	792.5	842.5	892.5	942.5	992.5	1042.5	1092.5	1142.5
L1	330.5	380.5	430.5	480.5	530.5	580.5	630.5	680.5	730.5	780.5	830.5	880.5	930.5	980.5	1030.5	1080.5
A	100	50	100	50	100	50	100	50	100	50	100	50	100	50	100	50
M	0	1	1	2	2	3	3	4	4	5	5	6	6	7	7	8
N	4	6	6	8	8	10	10	12	12	14	14	16	16	18	18	20
P	100	150	200	250	300	350	400	450	500	550	600	650	700	750	800	850
Weight(Kg)	5.32	5.80	6.29	6.77	7.26	7.74	8.23	8.71	9.20	9.68	10.17	10.65	11.14	11.62	12.11	12.59

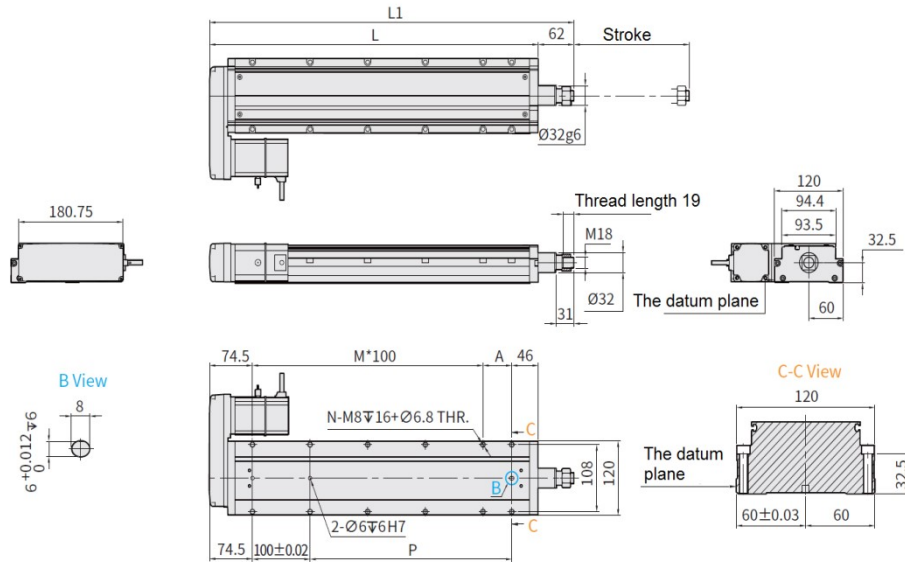
(Note: When motor with brake assembled on lower side, or the total length over than spec limit, it may not use standard pinhole. Please contact us if you need more information.)

Linear Electric Actuator

Series AERS

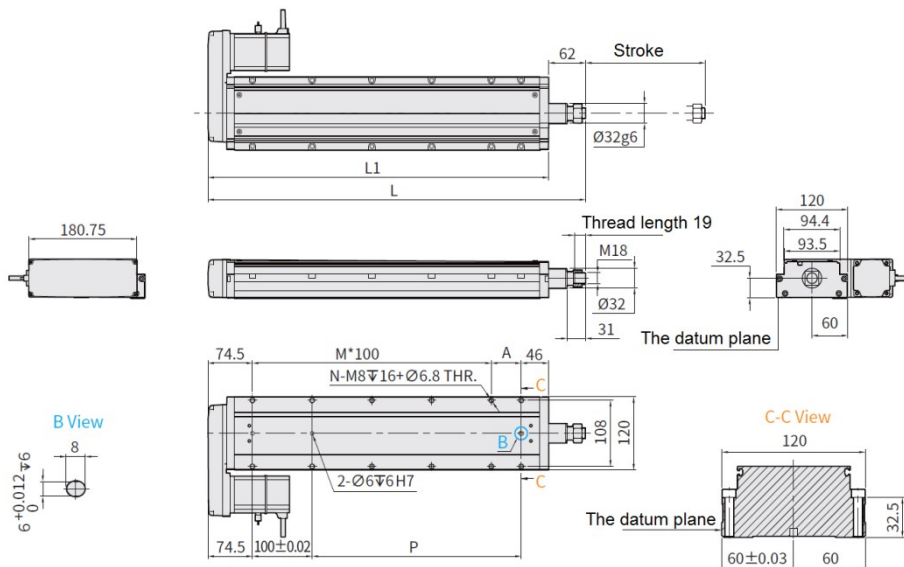
Cat :

Motor Left Side - L



Stroke	50	100	150	200	250	300	350	400	450	500	550	600	650	700	750	800
L	382.5	432.5	482.5	532.5	582.5	632.5	682.5	732.5	782.5	832.5	882.5	932.5	982.5	1032.5	1082.5	1132.5
L1	320.5	370.5	420.5	470.5	520.5	570.5	620.5	670.5	720.5	770.5	820.5	870.5	920.5	970.5	1020.5	1070.5
A	100	50	100	50	100	50	100	50	100	50	100	50	100	50	100	50
M	1	2	2	3	3	4	4	5	5	6	6	7	7	8	8	9
N	6	8	8	10	10	12	12	14	14	16	16	18	18	20	20	22
P	100	150	200	250	300	350	400	450	500	550	600	650	700	750	800	850
Weight(Kg)	5.32	5.80	6.29	6.77	7.26	7.74	8.23	8.71	9.20	9.68	10.17	10.65	11.14	11.62	12.11	12.59

Motor Right Side - R



Stroke	50	100	150	200	250	300	350	400	450	500	550	600	650	700	750	800
L	382.5	432.5	482.5	532.5	582.5	632.5	682.5	732.5	782.5	832.5	882.5	932.5	982.5	1032.5	1082.5	1132.5
L1	320.5	370.5	420.5	470.5	520.5	570.5	620.5	670.5	720.5	770.5	820.5	870.5	920.5	970.5	1020.5	1070.5
A	100	50	100	50	100	50	100	50	100	50	100	50	100	50	100	50
M	1	2	2	3	3	4	4	5	5	6	6	7	7	8	8	9
N	6	8	8	10	10	12	12	14	14	16	16	18	18	20	20	22
P	100	150	200	250	300	350	400	450	500	550	600	650	700	750	800	850
Weight(Kg)	5.32	5.80	6.29	6.77	7.26	7.74	8.23	8.71	9.20	9.68	10.17	10.65	11.14	11.62	12.11	12.59

Linear Electric Actuator

Series AERS

Cat :

How to order

AERS120

Lead	
05	5mm
10	10mm
20	20mm
32	32mm

Stroke	
0050-0800mm	

Motor Position	
D	Direct
L	Left Side
R	Right Side
B	Bottom Side

Motor Specification	
AC Servo	
D	Delta
Y	Yaskawa
M	Mitsubishi
P	Panasonic
V	INVT
T	Others

Motor Power	
AC Servo	
D	400W

Brake	
	Without Brake
B	With Brake

Encoder Type	
	Incremental
A	Absolute

Communication Type	
	Basic Type
C0	Modbus
C1	CAN Open
C2	Ether CAT
C3	PROFINET
C4	PROFIBUS
C5	Ethernet/IP
C6	Other Protocol - 1
C7	Other Protocol - 2
C8	Own Protocol -1*
C9	Own Protocol -2*

Motor & Encoder Cable	
1	1m
3	3m
5	5m
T	10m

I/O Cable	
N	Without Cable (Stand.)
1	1m
A	1.5m
2	2m

Note : * Based on Motor make

Customization Order no	
XXXX	Special Requirements

Example:1

Order no. for Rod type ball screw electric actuator 120mm size, 5mm Lead, 500mm stroke with 400W delta servo motor mounted at the motor Inline, With 3m Motor & Encoder cable.

AERS12050500D-DD-3N

Example:2

Order no. for Rod type ball screw electric actuator 120mm size, 5mm Lead, 500mm stroke without 400W delta servo motor mounted at the motor Inline.

AERS12050500D-DD

Linear Electric Actuator

Series AERS

Cat :

Speed – Stroke characteristics

Size (mm)	Motor Output (W)	Ball Screw lead (mm)	Max.Payload (Kg)*		Max Speed** (mm/s)	Stroke (mm) & Max. Speed (mm/s)***													
			Horizontal	Vertical		50	100	150	200	250	300	350	400	450	500	550	600	650	700
44	100	2	25	8	100	100													
		6	20	8	300	300													
		12	12	2	600	600													
54	100	2	30	10	100	100													
		5	30	10	250	250													
		10	15	5	500	500													
		20	10	2.5	1000	1000													
82	200/400	5	50	10	250	250												225	
		10	30	8	500	500												450	
		20	18	3	1000	1000												900	
120	400	5	110	33	250	250													
		10	88	22	500	500													
		20	40	10	1000	1000													
		32	30	8	1600	1600													

*When the Stroke is over 300mm: the run out of the ball screw will occur.

**The highest Speed is based on the maximum servo motor's rpm (3000).

***Written here is the standard stroke's maximum safe speed. If over this speed, it may cause serious vibration.

Linear Electric Actuator

Series AELB

Cat :

Rod less Belt drive Electric Actuator - 50mm

Features

- ❑ Compact Robust Design
- ❑ Highly flexible mounting
- ❑ More Precise & positioning
- ❑ Ease of positioning
- ❑ Ease of Maintenance

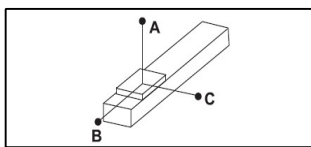


Technical Specifications

Repeatability (mm)		±0.04
Motor Power (Maximum Static Torque in Nm)		0.32 (Stepper Motor)
Lead (mm)		32
Maximum Speed (mm)/s		267
Maximum Payload	Horizontal (Kg)	10
	Vertical (Kg)	-
Rated Thrust (N)		42
Stroke (mm)		50-800 mm
Belt width (mm)		9
High Rigidity Linear Guide (mm)		W24XH8.5
Home Sensor	Outside	EE-SX672 (NPN)

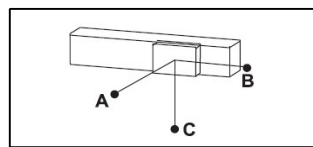
*Acceleration & deceleration value is set as 0.4 seconds

Allowable Moment



Unit:mm

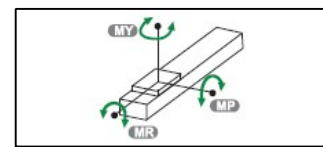
Horizontal Installation	A	B	C
5Kg	323	23	52
7Kg	208	15	34
10Kg	121	9	20



Unit:mm

Wall Installation	A	B	C
5Kg	47	21	299
7Kg	31	13	191
10Kg	18	8	109

Static loading moment



Unit:Nm

MY	16
MP	20
MR	19

Note:

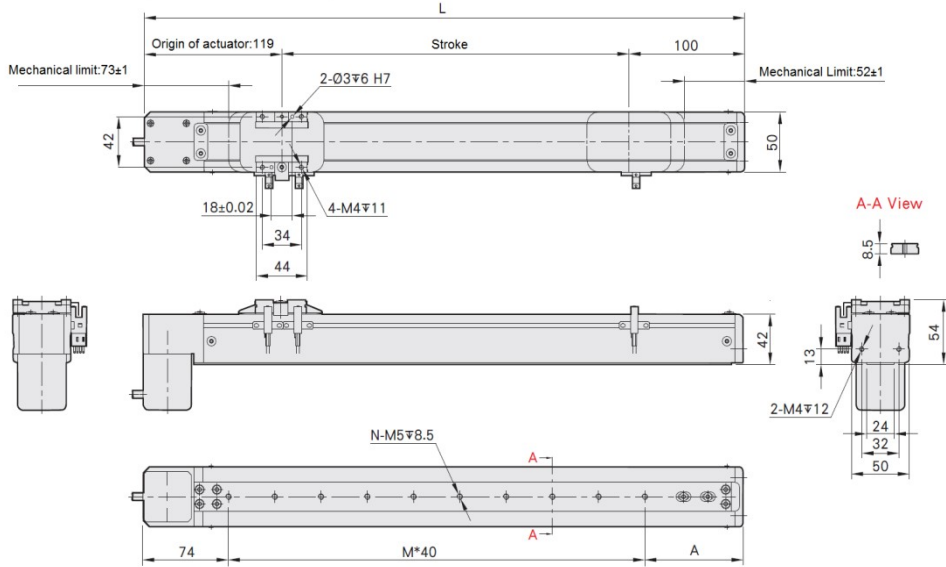
- The torque value in the chart indicates the center of gravity.
- Operation life is 5000Km when the product is using under the specified conditions.
- Data information is not for ceiling-mount inverse use. Contact us for the details if you want to apply ceiling-mount inverse usage

Linear Electric Actuator

Series AELB

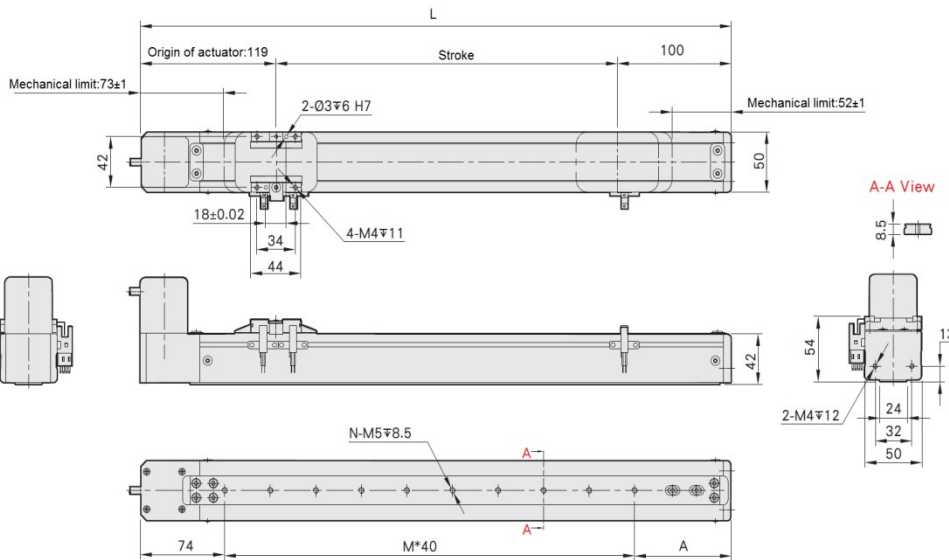
Cat :

Motor Bottom side-B



Stroke	50	100	150	200	250	300	350	400	450	500	550	600	650	700	750	800
L	269	319	369	419	469	519	569	619	669	719	769	819	869	919	969	1019
A	75	85	95	65	75	85	95	65	75	85	95	65	75	85	95	65
M	3	4	5	7	8	9	10	12	13	14	15	17	18	19	20	22
N	4	5	6	8	9	10	11	13	14	15	16	18	19	20	21	23
Weight (Kg)*	2.1	2.2	2.3	2.4	2.5	2.6	2.7	2.8	2.9	3	3.1	3.2	3.3	3.4	3.5	3.6

Motor Top side-T



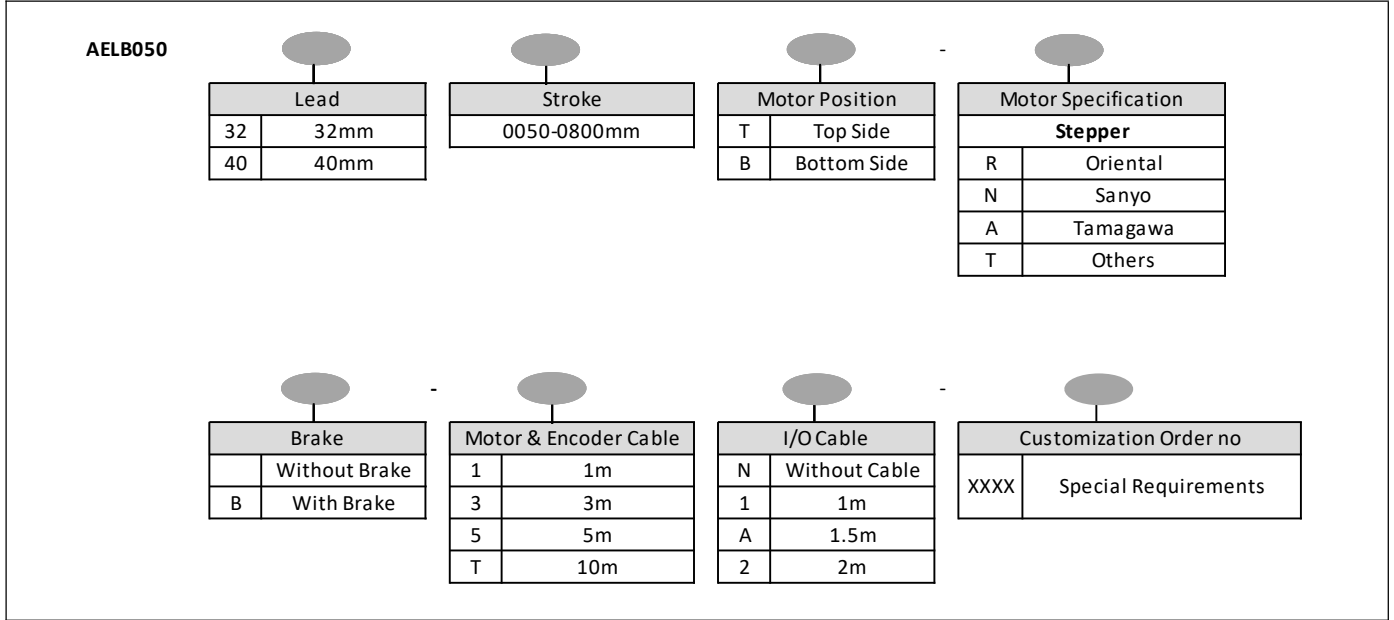
Stroke	50	100	150	200	250	300	350	400	450	500	550	600	650	700	750	800
L	269	319	369	419	469	519	569	619	669	719	769	819	869	919	969	1019
A	75	85	95	65	75	85	95	65	75	85	95	65	75	85	95	65
M	3	4	5	7	8	9	10	12	13	14	15	17	18	19	20	22
N	4	5	6	8	9	10	11	13	14	15	16	18	19	20	21	23
Weight (Kg)*	2.1	2.2	2.3	2.4	2.5	2.6	2.7	2.8	2.9	3	3.1	3.2	3.3	3.4	3.5	3.6

Linear Electric Actuator

Series AELB

Cat :

How to order



Example :1

Ordering no. for Rodless belt drive electric actuator 50mm size,32mm belt lead,150 mm stroke with Oriental stepper motor mounted at the bottom side, with 3m Motor cable.

AELB050320150B-R-3N

Example :2

Ordering no. for Rodless belt drive electric actuator 50mm size,32mm belt lead,150 mm stroke without Oriental stepper motor mounted at the bottom side.

AELB050320150B-R

Linear Electric Actuator

Series AELB

Cat :

Rod less Belt drive Electric Actuator - 50mm

Features

- ❑ Compact Robust Design
- ❑ Highly flexible mounting
- ❑ More Precise & positioning
- ❑ Ease of positioning
- ❑ Ease of Maintenance

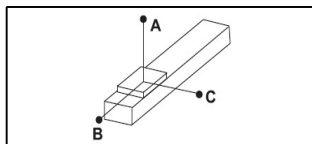


Technical Specifications

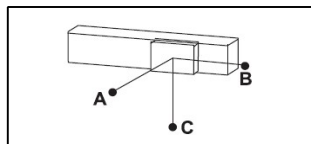
Repeatability (mm)		±0.04
Motor Power (AC Servo in W)		100
Lead (mm)		40
Maximum Speed (mm)/s		2000
Maximum Payload	Horizontal (Kg)	3
	Vertical (Kg)	-
Rated Thrust (N)		42
Stroke (mm)		50-800 mm
Belt width (mm)		9
High Rigidity Linear Guide (mm)		W24XH8.5
Home Sensor	Outside	EE-SX672 (NPN)

*Acceleration & deceleration value is set as 0.4 seconds

Allowable Moment



Unit:mm

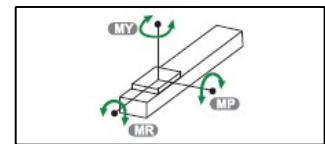


Unit:mm

Horizontal Installation	A	B	C
2Kg	323	61	112
3Kg	209	39	72

Wall Installation	A	B	C
2Kg	105	57	303
3Kg	67	36	195

Static loading moment



Unit:Nm

MY	16
MP	20
MR	19

Note:

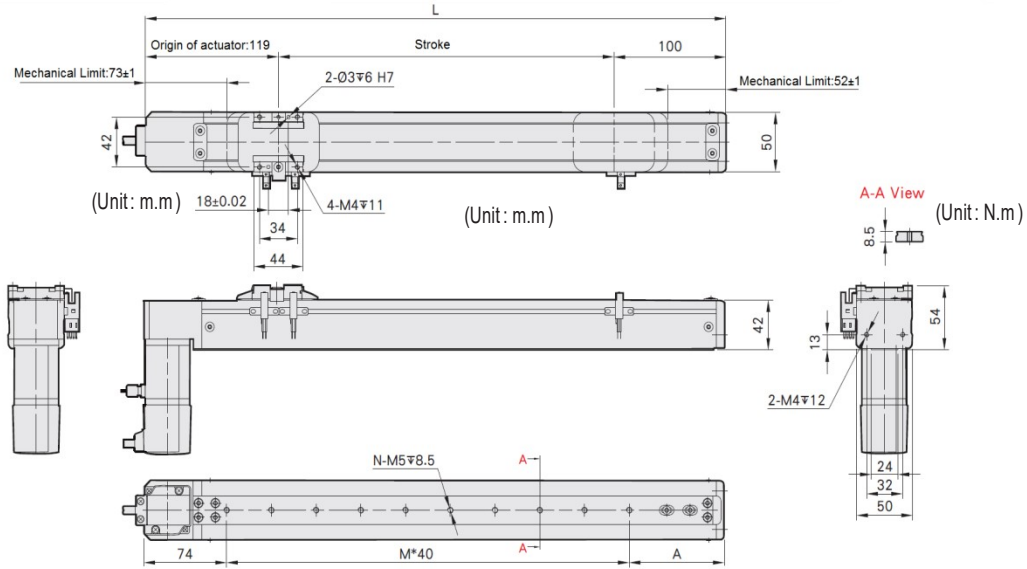
- The torque value in the chart indicates the center of gravity.
- Operation life is 5000Km when the product is using under the specified conditions.
- Data information is not for ceiling-mount inverse use. Contact us for the details if you want to apply ceiling- mount inverse usage

Linear Electric Actuator

Series AELB

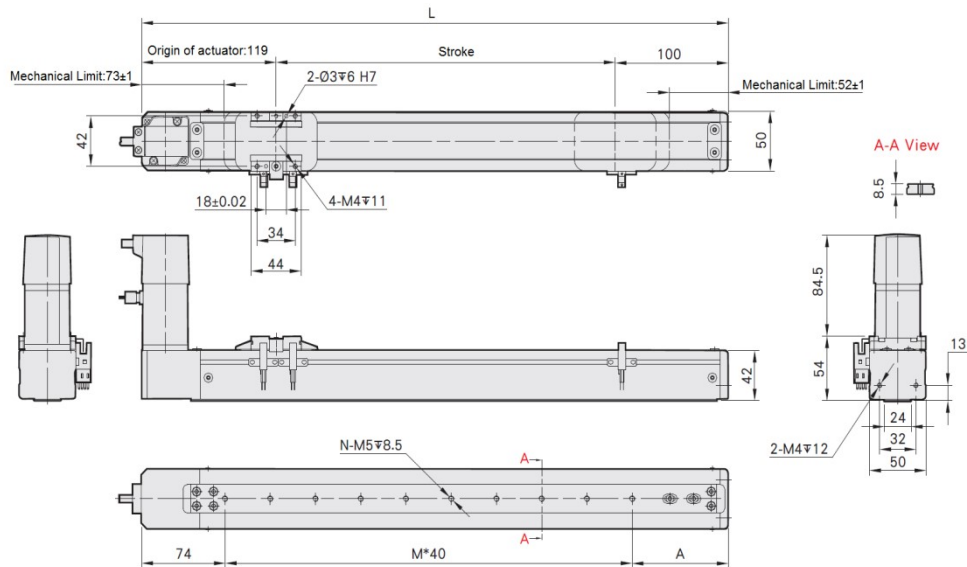
Cat :

Motor Bottom side-B



Stroke	50	100	150	200	250	300	350	400	450	500	550	600	650	700	750	800
L	269	319	369	419	469	519	569	619	669	719	769	819	869	919	969	1019
A	75	85	95	65	75	85	95	65	75	85	95	65	75	85	95	65
M	3	4	5	7	8	9	10	12	13	14	15	17	18	19	20	22
N	4	5	6	8	9	10	11	13	14	15	16	18	19	20	21	23
Weight (Kg)*	2.1	2.2	2.3	2.4	2.5	2.6	2.7	2.8	2.9	3	3.1	3.2	3.3	3.4	3.5	3.6

Motor Top side-T



Stroke	50	100	150	200	250	300	350	400	450	500	550	600	650	700	750	800
L	269	319	369	419	469	519	569	619	669	719	769	819	869	919	969	1019
A	75	85	95	65	75	85	95	65	75	85	95	65	75	85	95	65
M	3	4	5	7	8	9	10	12	13	14	15	17	18	19	20	22
N	4	5	6	8	9	10	11	13	14	15	16	18	19	20	21	23
Weight(Kg)*	2.1	2.2	2.3	2.4	2.5	2.6	2.7	2.8	2.9	3	3.1	3.2	3.3	3.4	3.5	3.6

Linear Electric Actuator

Series AELB

Cat :

How to order

AELB050

Lead	Stroke	Motor Position	Motor Specification	Motor Power
32 32mm	0050-0800mm	T Top Side	AC Servo	AC Servo
40 40mm		B Bottom Side	D Delta	B 100W
			Y Yaskawa	
			M Mitsubishi	
			P Panasonic	
			V INVT	
			T Others	

Brake	Encoder Type	Communication Type	Motor & Encoder Cable	I/O Cable
Without Brake	Incremental	Basic Type	1 1m	N Without Cable (Stand.)
B With Brake	A Absolute	C0 Modbus	3 3m	1 1m
		C1 CAN Open	5 5m	A 1.5m
		C2 Ether CAT	T 10m	2 2m
		C3 PROFINET		
		C4 PROFIBUS		
		C5 Ethernet/IP		
		C6 Other Protocol -1		
		C7 Other Protocol -2		
		C8 Own Protocol -1*		
		C9 Own Protocol -2*		

Note : * Based on Motor make

Customization Order no
XXXX Special Requirements

Example :1

Ordering no. for Rodless belt drive electric actuator 50mm size,32mm belt lead,150 mm stroke with Delta 100W Servo motor mounted at the bottom side, with 3m Motor cable.

AELB050320150B-DB-3N

Example :2

Ordering no. for Rodless belt drive electric actuator 50mm size,32mm belt lead,150 mm stroke without Delta 100W Servo motor mounted at the bottom side.

AELB050320150B-DB

Linear Electric Actuator

Series AELB

Cat :

Rod less Belt drive Electric Actuator - 65mm

Features

- ❑ Compact Robust Design
- ❑ Highly flexible mounting
- ❑ More Precise & positioning
- ❑ Ease of positioning
- ❑ Ease of Maintenance

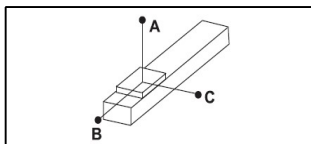


Technical Specifications

Repeatability (mm)		±0.04
Motor Power (Maximum Static Torque in Nm)		0.39 (Stepper Motor)
Lead (mm)		40
Maximum Speed (mm)/s		333
Maximum Payload	Horizontal (Kg)	15
	Vertical (Kg)	-
Rated Thrust (N)		51
Stroke (mm)		50-800 mm
Belt width (mm)		12
High Rigidity Linear Guide (mm)		W42XH9.5
Home Sensor	Outside	EE-SX672 (NPN)

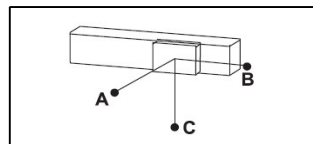
*Acceleration & deceleration value is set as 0.4 seconds

Allowable Moment



Unit:mm

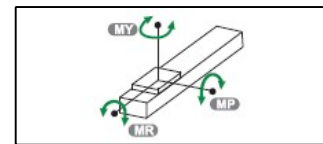
Horizontal Installation	A	B	C
5Kg	620	65	165
10Kg	253	29	73
15kg	126	16	42



Unit:mm

Wall Installation	A	B	C
5Kg	151	59	582
10Kg	66	26	532
15kg	38	15	111

Static loading moment



Unit:Nm

MY	70
MP	80
MR	75

Note:

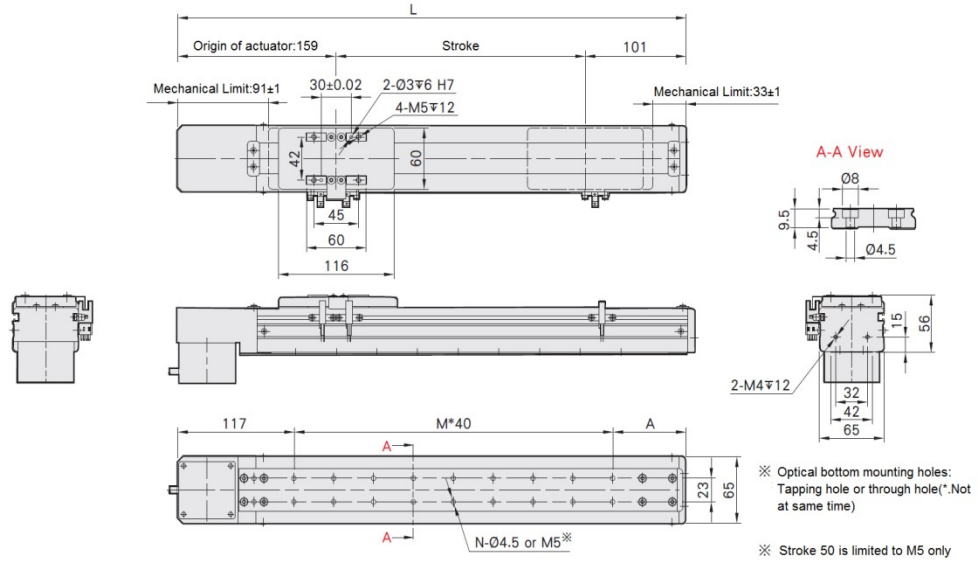
- The torque value in the chart indicates the center of gravity.
- Operation life is 5000Khm when the product is using under the specified conditions.
- Data information is not for ceiling-mount inverse use. Contact us for the details if you want to apply ceiling- mount inverse usage

Linear Electric Actuator

Series AELB

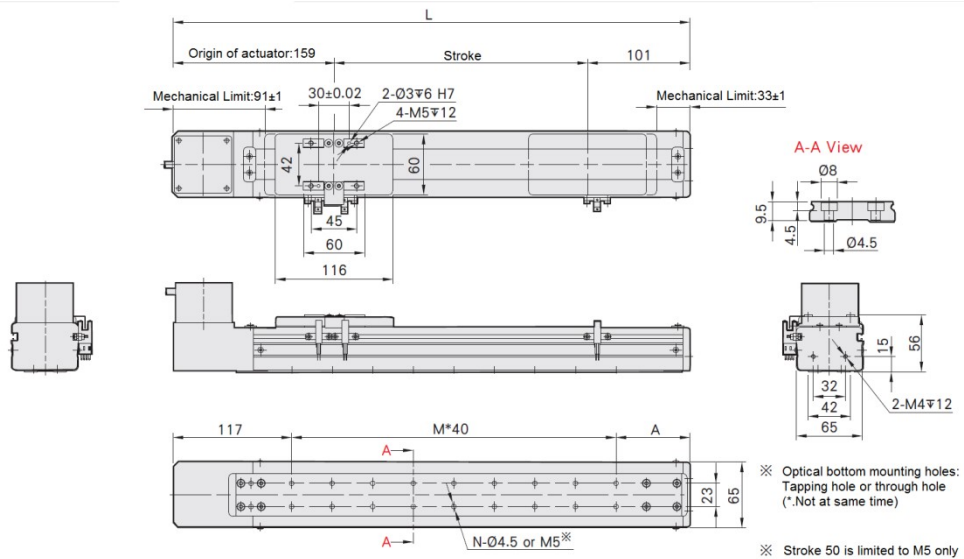
Cat :

Motor Bottom side-B



Stroke	50	100	150	200	250	300	350	400	450	500	550	600	650	700	750	800
L	310	360	410	460	510	560	610	660	710	760	810	860	910	960	1010	1060
A	73	83	93	63	73	83	93	63	73	83	93	63	73	83	93	63
M	3	4	5	7	8	9	10	12	13	14	15	17	18	19	20	22
Weight (kg)*	2.5	2.5	2.6	2.8	3	3.3	3.4	3.5	3.7	3.9	4.1	4.2	4.4	4.6	4.8	4.9

Motor Top side-T



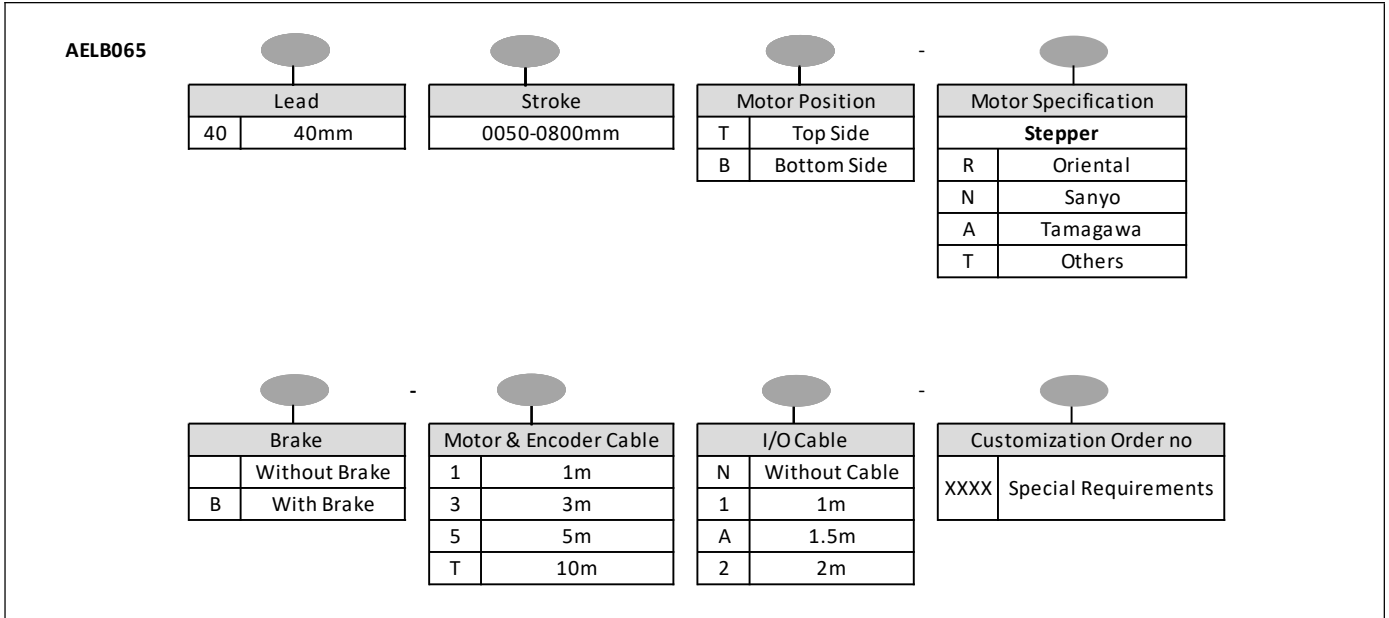
Stroke	50	100	150	200	250	300	350	400	450	500	550	600	650	700	750	800
L	310	360	410	460	510	560	610	660	710	760	810	860	910	960	1010	1060
A	73	83	93	63	73	83	93	63	73	83	93	63	73	83	93	63
M	3	4	5	7	8	9	10	12	13	14	15	17	18	19	20	22
N	8	10	12	16	18	20	22	26	28	30	32	36	38	40	42	46
Weight (Kg)*	2.5	2.5	2.6	2.8	3	3.3	3.4	3.5	3.7	3.9	4.1	4.2	4.4	4.6	4.8	4.9

Linear Electric Actuator

Series AELB

Cat :

How to order



Example :1

Ordering no. for Rodless belt drive electric actuator 65mm size,40mm belt lead,150 mm stroke with Oriental stepper motor mounted at the bottom side, with 3m Motor cable.

AELB065400150B-R-3N

Example :2

Ordering no. for Rodless belt drive electric actuator 65mm size,40mm belt lead,150 mm stroke without Oriental stepper motor mounted at the bottom side.

AELB065400150B-R

Linear Electric Actuator

Series AELB

Cat :

Rod less Belt drive Electric Actuator - 65mm

Features

- ❑ Compact Robust Design
- ❑ Highly flexible mounting
- ❑ More Precise & positioning
- ❑ Ease of positioning
- ❑ Ease of Maintenance

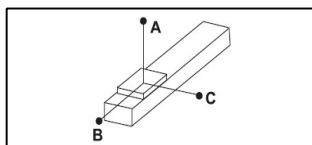


Technical Specifications

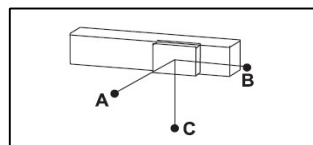
Repeatability (mm)		±0.04
Motor Power (AC Servo in W)		100
Lead (mm)		40
Maximum Speed (mm)/s		2000
Maximum Payload	Horizontal (Kg)	3
	Vertical (Kg)	-
Rated Thrust (N)		42
Stroke (mm)		50-800 mm
Belt width (mm)		12
High Rigidity Linear Guide (mm)		W42XH9.5
Home Sensor	Outside	EE-SX672 (NPN)

*Acceleration & deceleration value is set as 0.4 seconds

Allowable Moment



Unit:mm

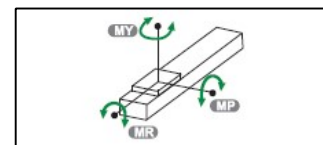


Unit:mm

Horizontal Installation	A	B	C
2Kg	520	150	254
3Kg	340	97	165

Wall Installation	A	B	C
2Kg	238	140	488
3Kg	155	91	319

Static loading moment



Unit:Nm

MY	70
MP	80
MR	75

Note:

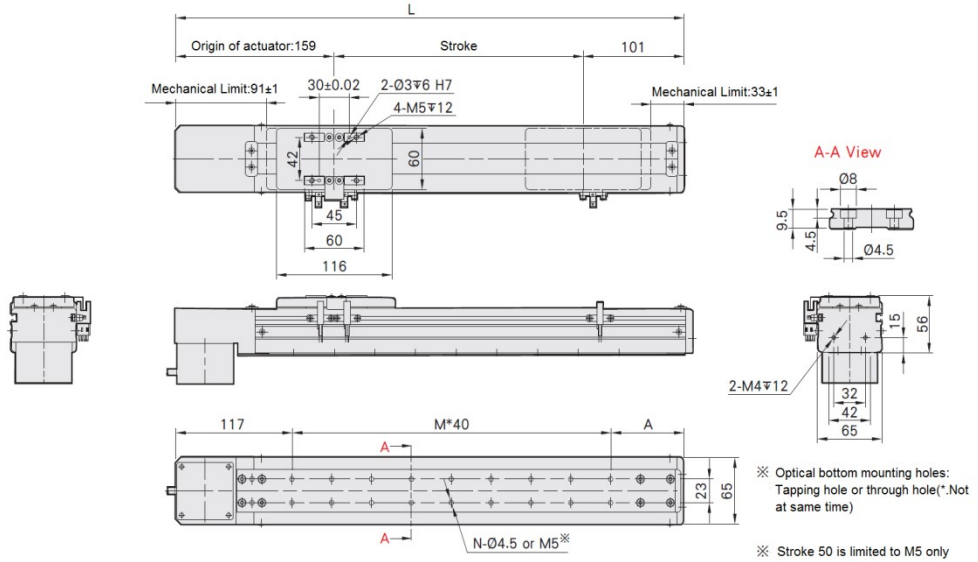
- The torque value in the chart indicates the center of gravity.
- Operation life is 5000Km when the product is using under the specified conditions.
- Data information is not for ceiling-mount inverse use. Contact us for the details if you want to apply ceiling- mount inverse usage

Linear Electric Actuator

Series AELB

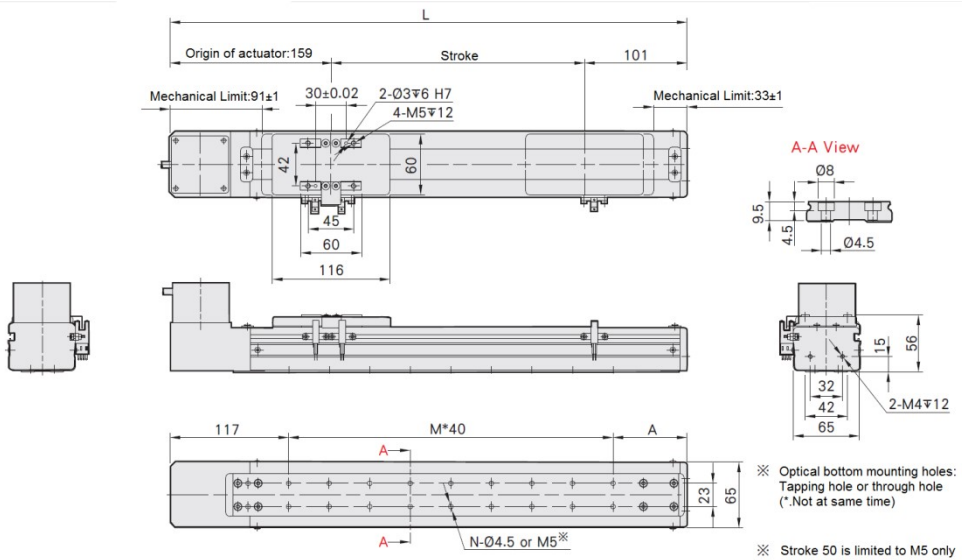
Cat :

Motor Bottom side-B



Stroke	50	100	150	200	250	300	350	400	450	500	550	600	650	700	750	800
L	310	360	410	460	510	560	610	660	710	760	810	860	910	960	1010	1060
A	73	83	93	63	73	83	93	63	73	83	93	63	73	83	93	63
M	3	4	5	7	8	9	10	12	13	14	15	17	18	19	20	22
N	8	10	12	16	18	20	22	26	28	30	32	36	38	40	42	46
Weight (Kg)*	2.5	2.5	2.6	2.8	3	3.3	3.4	3.5	3.7	3.9	4.1	4.2	4.4	4.6	4.8	4.9

Motor Top side-T



Stroke	50	100	150	200	250	300	350	400	450	500	550	600	650	700	750	800
L	310	360	410	460	510	560	610	660	710	760	810	860	910	960	1010	1060
A	73	83	93	63	73	83	93	63	73	83	93	63	73	83	93	63
M	3	40.	5	7	8	9	10	12	13	14	15	17	18	19	20	22
N	8	10	12	16	18	20	22	26	28	30	32	36	38	40	42	46
Weight (Kg)*	2.5	2.5	2.6	2.8	3	3.3	3.4	3.5	3.7	3.9	4.1	4.2	4.4	4.6	4.8	4.9

Linear Electric Actuator

Series AELB

Cat :

How to order

AELB065

	●	●	●	●	●
	Lead	Stroke	Motor Position	Motor Specification	Motor Power
	40 40mm	0050-0800mm	T Top Side B Bottom Side	AC Servo D Delta Y Yaskawa M Mitsubishi P Panasonic V INVT T Others	AC Servo B 100W
	●	●	●	●	●
	Brake	Encoder Type	Communication Type	Motor & Encoder Cable	I/O Cable
	Without Brake B With Brake	Incremental A Absolute	Basic Type C0 Modbus C1 CAN Open C2 Ether CAT C3 PROFINET C4 PROFIBUS C5 Ethernet/IP C6 Other Protocol - 1 C7 Other Protocol - 2 C8 Own Protocol - 1* C9 Own Protocol - 2*	1 1m 3 3m 5 5m T 10m	N Without Cable (Stand.) 1 1m A 1.5m 2 2m
			Note : * Based on Motor make		
	●				
	Customization Order no				
	XXXX Special Requirements				

Example :1

Ordering no. for Rodless belt drive electric actuator 65mm size,40mm belt lead,150 mm stroke with Delta 100W servo motor mounted at the bottom side, with 3m Motor cable.

AELB065400150B-DB-3N

Example :2

Ordering no. for Rodless belt drive electric actuator 65mm size,40mm belt lead,150 mm stroke without Delta 100W servo motor mounted at the bottom side.

AELB065400150B-DB

Linear Electric Actuator

Series AELB

Cat :

Rod less Belt drive Electric Actuator - 102mm

Features

- ❑ Compact Robust Design
- ❑ Highly flexible mounting
- ❑ More Precise & positioning
- ❑ Ease of positioning
- ❑ Ease of Maintenance

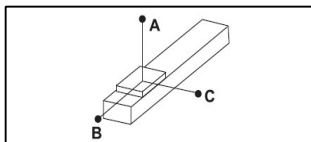


Technical Specifications

Repeatability (mm)		±0.04
Motor Power (AC Servo in W)		100
Lead (mm)		32
Maximum Speed (mm)/s		1600
Maximum Payload	Horizontal (Kg)	10
	Vertical (Kg)	-
Rated Thrust (N)		61
Stroke (mm)		50-2550 mm
Belt width (mm)		15
High Rigidity Linear Guide (mm)		W20XH18
Home Sensor	Outside	EE-SX672 (NPN)

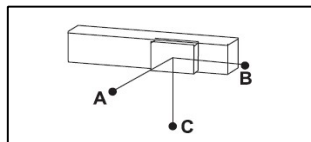
*Acceleration & deceleration value is set as 0.4 seconds

Allowable Moment



Unit:mm

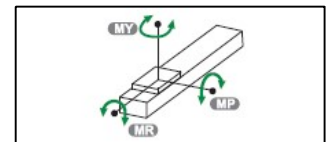
Horizontal Installation	A	B	C
5Kg	495	152	128
8Kg	301	91	77
10Kg	236	71	60



Unit:mm

Wall Installation	A	B	C
4Kg	162	192	625
7Kg	89	106	347
10Kg	60	71	236

Static loading moment



Unit:Nm

MY	110
MP	110
MR	120

Note:

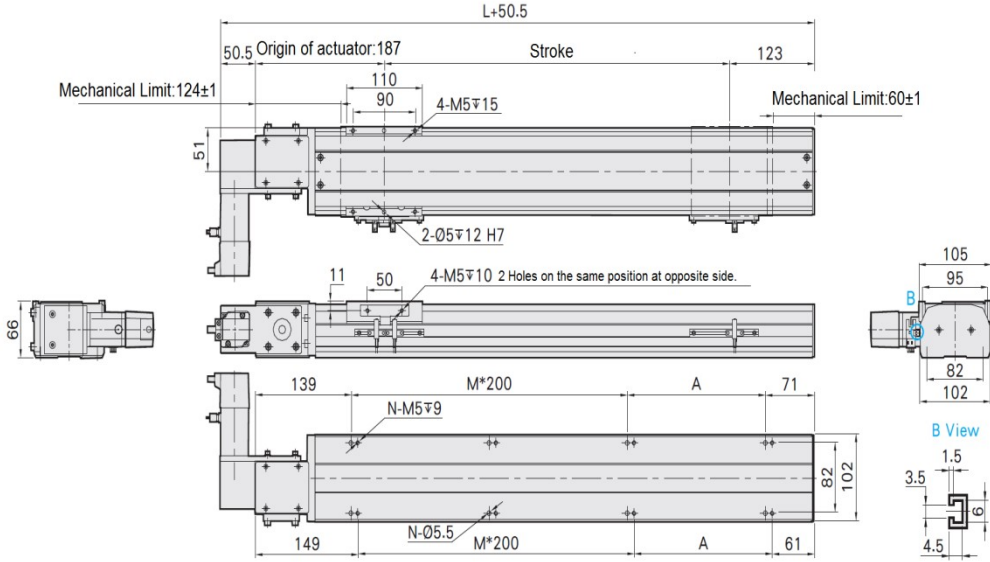
- The torque value in the chart indicates the center of gravity.
- Operation life is 10,000km when the product is using under the specified conditions.
- Data information is not for ceiling-mount inverse use. Contact us for the details if you want to apply ceiling- mount inverse usage

Linear Electric Actuator

Series AELB

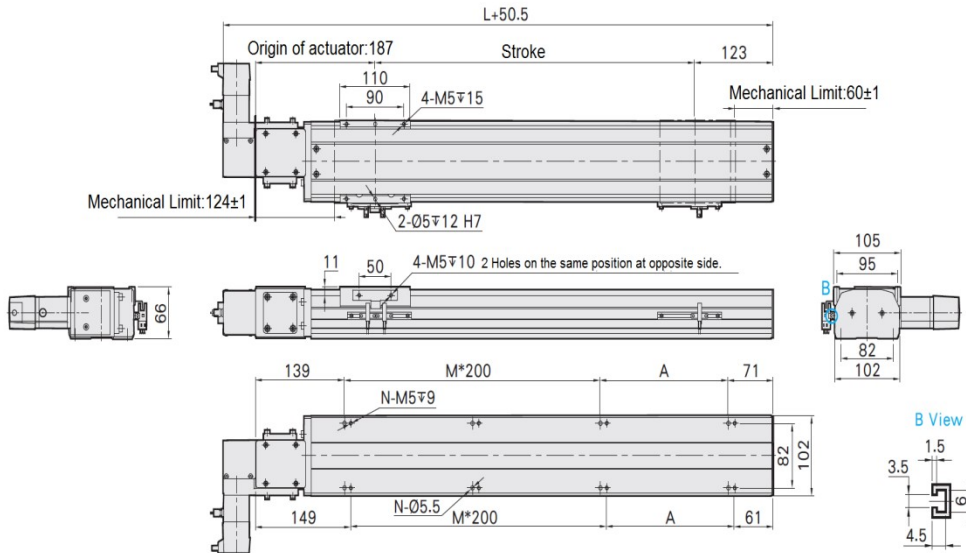
Cat :

Motor Left side-L



Stroke	50	100	150	200	250	300	350	400	450	500	550	600	650	700	750	800	850	900	950	1000	1050	1100	1150	1200	1250	1300
L	360	410	460	510	560	610	660	710	760	810	860	910	960	1010	1060	1110	1160	1210	1260	1310	1360	1410	1460	1510	1560	1610
A	150	200	50	100	150	200	50	100	150	200	50	100	150	200	50	100	150	200	50	100	150	200	50	100	150	200
M	0	0	1	1	1	1	2	2	2	2	3	3	3	3	4	4	4	4	5	5	5	5	6	6	6	6
N	4	4	6	6	6	6	8	8	8	8	10	10	10	10	12	12	12	12	14	14	14	14	16	16	16	16
Weight(Kg)*	6.37	6.8	7.23	7.65	8.07	8.5	8.92	9.34	9.76	10.19	10.61	11.03	11.46	11.88	12.3	12.73	13.15	13.57	13.99	14.42	14.84	15.26	15.68	16.1	16.52	16.9
Stroke	1350	1400	1450	1500	1550	1600	1650	1700	1750	1800	1850	1900	1950	2000	2050	2100	2150	2200	2250	2300	2350	2400	2450	2500	2550	
L	1660	1710	1760	1810	1860	1910	1960	2010	2060	2110	2160	2210	2260	2310	2360	2410	2460	2510	2560	2610	2660	2710	2760	2810	2860	
A	50	100	150	200	50	100	150	200	50	100	150	200	50	100	150	200	50	100	150	200	50	100	150	200	50	
M	7	7	7	7	8	8	8	8	9	9	9	9	10	10	10	10	11	11	11	11	12	12	12	12	13	
N	18	18	18	18	20	20	20	20	22	22	22	22	24	24	24	24	26	26	26	26	28	28	28	28	30	
Weight(Kg)*	17.36	17.78	18.2	18.62	19.04	19.46	19.88	20.3	20.72	21.14	21.56	21.98	22.4	22.82	23.24	23.66	24.08	24.5	24.92	25.34	25.76	26.18	26.6	27.02	27.44	

Motor Right Side-R



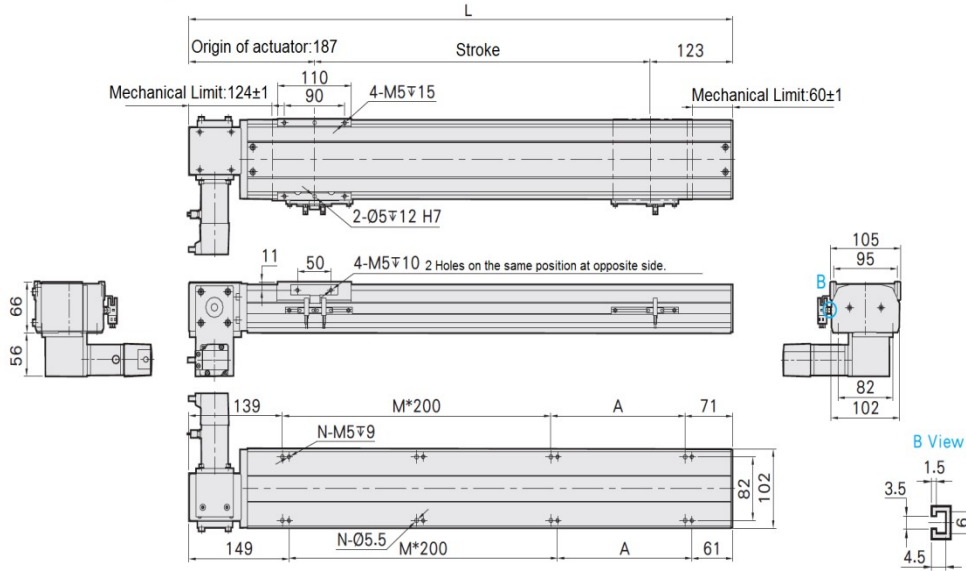
Stroke	50	100	150	200	250	300	350	400	450	500	550	600	650	700	750	800	850	900	950	1000	1050	1100	1150	1200	1250	1300
L	360	410	460	510	560	610	660	710	760	810	860	910	960	1010	1060	1110	1160	1210	1260	1310	1360	1410	1460	1510	1560	1610
A	150	200	50	100	150	200	50	100	150	200	50	100	150	200	50	100	150	200	50	100	150	200	50	100	150	200
M	0	0	1	1	1	1	2	2	2	2	3	3	3	3	4	4	4	4	5	5	5	5	6	6	6	6
N	4	4	6	6	6	6	8	8	8	8	10	10	10	10	12	12	12	12	14	14	14	14	16	16	16	16
Weight(Kg)*	6.37	6.8	7.23	7.65	8.07	8.5	8.92	9.34	9.76	10.19	10.61	11.03	11.46	11.88	12.3	12.73	13.15	13.57	13.99	14.42	14.84	15.26	15.68	16.1	16.52	16.9
Stroke	1350	1400	1450	1500	1550	1600	1650	1700	1750	1800	1850	1900	1950	2000	2050	2100	2150	2200	2250	2300	2350	2400	2450	2500	2550	
L	1660	1710	1760	1810	1860	1910	1960	2010	2060	2110	2160	2210	2260	2310	2360	2410	2460	2510	2560	2610	2660	2710	2760	2810	2860	
A	50	100	150	200	50	100	150	200	50	100	150	200	50	100	150	200	50	100	150	200	50	100	150	200	50	
M	7	7	7	7	8	8	8	8	9	9	9	9	10	10	10	10	11	11	11	11	12	12	12	12	13	
N	18	18	18	18	20	20	20	20	22	22	22	22	24	24	24	24	26	26	26	26	28	28	28	28	30	
Weight(Kg)*	17.36	17.78	18.2	18.62	19.04	19.46	19.88	20.3	20.72	21.14	21.56	21.98	22.4	22.82	23.24	23.66	24.08	24.5	24.92	25.34	25.76	26.18	26.6	27.02	27.44	

Linear Electric Actuator

Series AELB

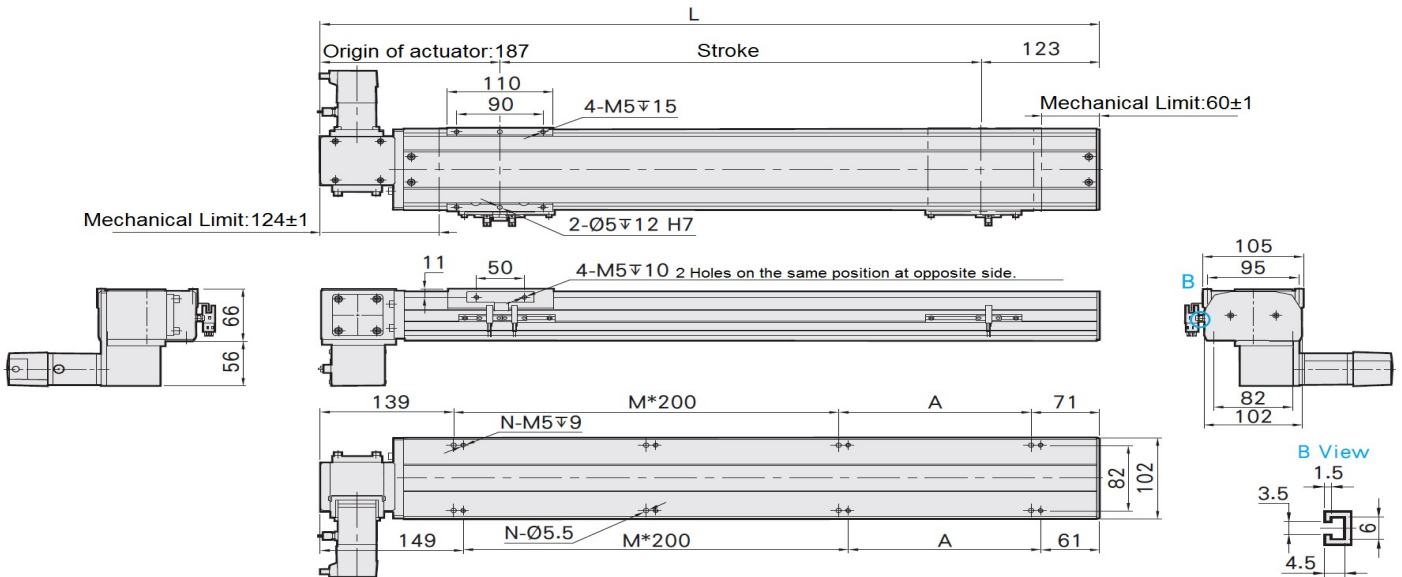
Cat :

Motor Lower Left side-Q



Stroke	50	100	150	200	250	300	350	400	450	500	550	600	650	700	750	800	850	900	950	1000	1050	1100	1150	1200	1250	1300
L	360	410	460	510	560	610	660	710	760	810	860	910	960	1010	1060	1110	1160	1210	1260	1310	1360	1410	1460	1510	1560	1610
A	150	200	50	100	150	200	50	100	150	200	50	100	150	200	50	100	150	200	50	100	150	200	50	100	150	200
M	0	0	1	1	1	1	2	2	2	2	3	3	3	3	4	4	4	4	5	5	5	5	6	6	6	6
N	4	4	6	6	6	6	8	8	8	8	10	10	10	10	12	12	12	12	14	14	14	14	16	16	16	16
Weight(Kg)*	6.37	6.8	7.23	7.65	8.07	8.5	8.92	9.34	9.76	10.19	10.61	11.03	11.46	11.88	12.3	12.73	13.15	13.57	13.99	14.42	14.84	15.26	15.68	16.1	16.52	16.9
Stroke	1350	1400	1450	1500	1550	1600	1650	1700	1750	1800	1850	1900	1950	2000	2050	2100	2150	2200	2250	2300	2350	2400	2450	2500	2550	
L	1660	1710	1760	1810	1860	1910	1960	2010	2060	2110	2160	2210	2260	2310	2360	2410	2460	2510	2560	2610	2660	2710	2760	2810	2860	
A	50	100	150	200	50	100	150	200	50	100	150	200	50	100	150	200	50	100	150	200	50	100	150	200	50	
M	7	7	7	7	8	8	8	8	9	9	9	9	10	10	10	10	11	11	11	11	12	12	12	12	13	
N	18	18	18	18	20	20	20	20	22	22	22	22	24	24	24	24	26	26	26	26	28	28	28	28	30	
Weight(Kg)*	17.36	17.78	18.2	18.62	19.04	19.46	19.88	20.3	20.72	21.14	21.56	21.98	22.4	22.82	23.24	23.66	24.08	24.5	24.92	25.34	25.76	26.18	26.6	27.02	27.44	

Motor Right Lower side-Y



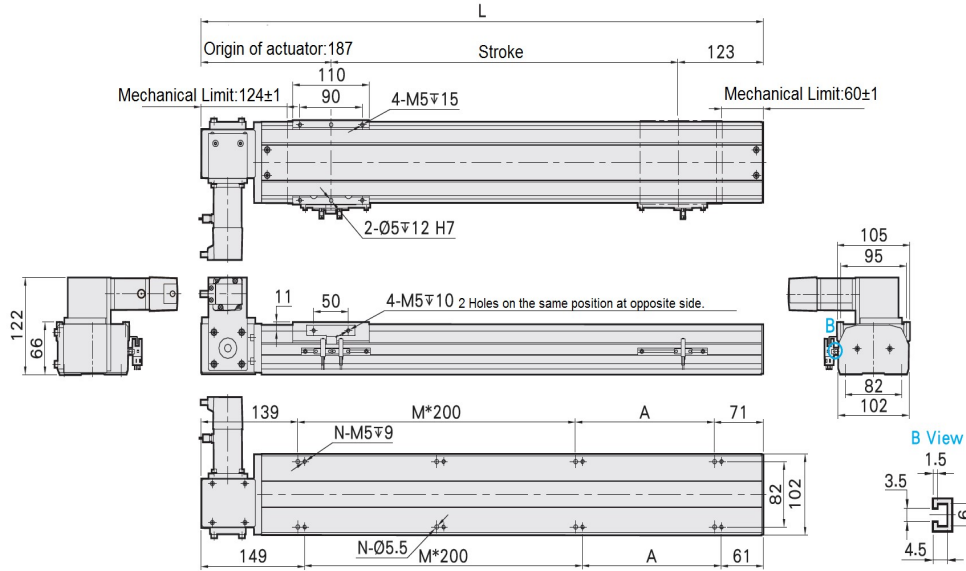
Stroke	50	100	150	200	250	300	350	400	450	500	550	600	650	700	750	800	850	900	950	1000	1050	1100	1150	1200	1250	1300
L	360	410	460	510	560	610	660	710	760	810	860	910	960	1010	1060	1110	1160	1210	1260	1310	1360	1410	1460	1510	1560	1610
A	150	200	50	100	150	200	50	100	150	200	50	100	150	200	50	100	150	200	50	100	150	200	50	100	150	200
M	0	0	1	1	1	1	2	2	2	2	3	3	3	3	4	4	4	4	5	5	5	5	6	6	6	6
N	4	4	6	6	6	6	8	8	8	8	10	10	10	10	12	12	12	12	14	14	14	14	16	16	16	16
Weight(Kg)*	6.37	6.8	7.23	7.65	8.07	8.5	8.92	9.34	9.76	10.19	10.61	11.03	11.46	11.88	12.3	12.73	13.15	13.57	13.99	14.42	14.84	15.26	15.68	16.1	16.52	16.9
Stroke	1350	1400	1450	1500	1550	1600	1650	1700	1750	1800	1850	1900	1950	2000	2050	2100	2150	2200	2250	2300	2350	2400	2450	2500	2550	
L	1660	1710	1760	1810	1860	1910	1960	2010	2060	2110	2160	2210	2260	2310	2360	2410	2460	2510	2560	2610	2660	2710	2760	2810	2860	
A	50	100	150	200	50	100	150	200	50	100	150	200	50	100	150	200	50	100	150	200	50	100	150	200	50	
M	7	7	7	7	8	8	8	8	9	9	9	9	10	10	10	10	11	11	11	11	12	12	12	12	13	
N	18	18	18	18	20	20	20	20	22	22	22	22	24	24	24	24	26	26	26	26	28	28	28	28	30	
Weight(Kg)*	17.36	17.78	18.2	18.62	19.04	19.46	19.88	20.3	20.72	21.14	21.56	21.98	22.4	22.82	23.24	23.66	24.08	24.5	24.92	25.34	25.76	26.18	26.6	27.02	27.44	

Linear Electric Actuator

Series AELB

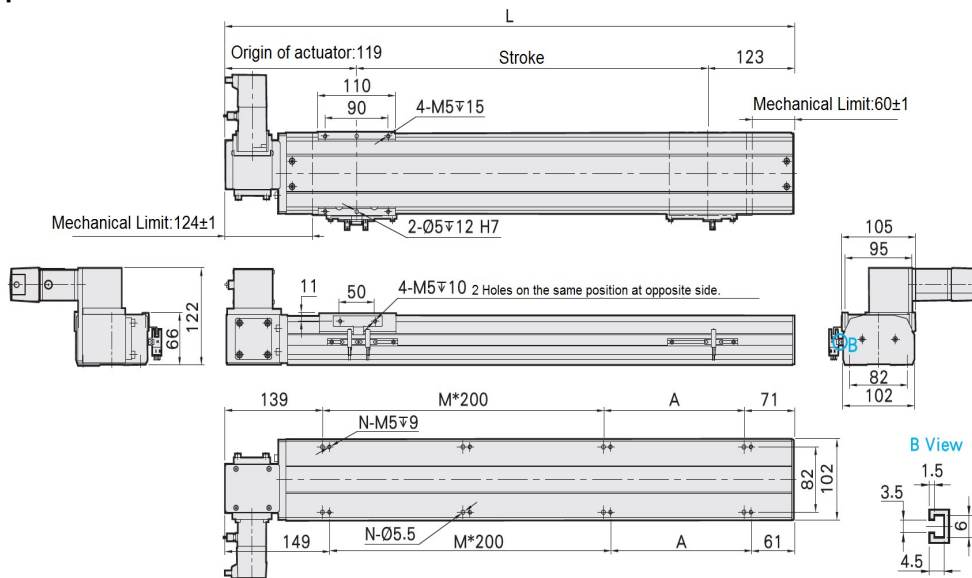
Cat :

Motor Left Upper side-P



Stroke	50	100	150	200	250	300	350	400	450	500	550	600	650	700	750	800	850	900	950	1000	1050	1100	1150	1200	1250	1300
L	360	410	460	510	560	610	660	710	760	810	860	910	960	1010	1060	1110	1160	1210	1260	1310	1360	1410	1460	1510	1560	1610
A	150	200	50	100	150	200	50	100	150	200	50	100	150	200	50	100	150	200	50	100	150	200	50	100	150	200
M	0	0	1	1	1	1	2	2	2	2	3	3	3	3	4	4	4	4	5	5	5	5	6	6	6	6
N	4	4	6	6	6	6	8	8	8	8	10	10	10	10	12	12	12	12	14	14	14	14	16	16	16	16
Weight(Kg)*	6.37	6.8	7.23	7.65	8.07	8.5	8.92	9.34	9.76	10.19	10.61	11.03	11.46	11.88	12.3	12.73	13.15	13.57	13.99	14.42	14.84	15.26	15.68	16.1	16.52	16.9
Stroke	1350	1400	1450	1500	1550	1600	1650	1700	1750	1800	1850	1900	1950	2000	2050	2100	2150	2200	2250	2300	2350	2400	2450	2500	2550	
L	1660	1710	1760	1810	1860	1910	1960	2010	2060	2110	2160	2210	2260	2310	2360	2410	2460	2510	2560	2610	2660	2710	2760	2810	2860	
A	50	100	150	200	50	100	150	200	50	100	150	200	50	100	150	200	50	100	150	200	50	100	150	200	50	
M	7	7	7	7	8	8	8	8	9	9	9	9	10	10	10	10	11	11	11	11	12	12	12	12	13	
N	18	18	18	18	20	20	20	20	22	22	22	22	24	24	24	24	26	26	26	26	28	28	28	28	30	
Weight(Kg)*	17.36	17.78	18.2	18.62	19.04	19.46	19.88	20.3	20.72	21.14	21.56	21.98	22.4	22.82	23.24	23.66	24.08	24.5	24.92	25.34	25.76	26.18	26.6	27.02	27.44	

Motor Right Upper side-X



Stroke	50	100	150	200	250	300	350	400	450	500	550	600	650	700	750	800	850	900	950	1000	1050	1100	1150	1200	1250	1300
L	360	410	460	510	560	610	660	710	760	810	860	910	960	1010	1060	1110	1160	1210	1260	1310	1360	1410	1460	1510	1560	1610
A	150	200	50	100	150	200	50	100	150	200	50	100	150	200	50	100	150	200	50	100	150	200	50	100	150	200
M	0	0	1	1	1	1	2	2	2	2	3	3	3	3	4	4	4	4	5	5	5	5	6	6	6	6
N	4	4	6	6	6	6	8	8	8	8	10	10	10	10	12	12	12	12	14	14	14	14	16	16	16	16
Weight(Kg)*	6.37	6.8	7.23	7.65	8.07	8.5	8.92	9.34	9.76	10.19	10.61	11.03	11.46	11.88	12.3	12.73	13.15	13.57	13.99	14.42	14.84	15.26	15.68	16.1	16.52	16.9
Stroke	1350	1400	1450	1500	1550	1600	1650	1700	1750	1800	1850	1900	1950	2000	2050	2100	2150	2200	2250	2300	2350	2400	2450	2500	2550	
L	1660	1710	1760	1810	1860	1910	1960	2010	2060	2110	2160	2210	2260	2310	2360	2410	2460	2510	2560	2610	2660	2710	2760	2810	2860	
A	50	100	150	200	50	100	150	200	50	100	150	200	50	100	150	200	50	100	150	200	50	100	150	200	50	
M	7	7	7	7	8	8	8	8	9	9	9	9	10	10	10	10	11	11	11	11	12	12	12	12	13	
N	18	18	18	18	20	20	20	20	22	22	22	22	24	24	24	24	26	26	26	26	28	28	28	28	30	
Weight(Kg)*	17.36	17.78	18.2	18.62	19.04	19.46	19.88	20.3	20.72	21.14	21.56	21.98	22.4	22.82	23.24	23.66	24.08	24.5	24.92	25.34	25.76	26.18	26.6	27.02	27.44	

Linear Electric Actuator

Series AELB

Cat :

How to order

AELB102

<table border="1" style="width: 100%; border-collapse: collapse;"> <tr><th colspan="2">Lead</th></tr> <tr><td style="width: 10%;">32</td><td style="width: 90%;">32mm</td></tr> </table>	Lead		32	32mm	<table border="1" style="width: 100%; border-collapse: collapse;"> <tr><th colspan="2">Stroke</th></tr> <tr><td style="width: 10%;">0050-2550mm</td><td style="width: 90%;"></td></tr> </table>	Stroke		0050-2550mm		<table border="1" style="width: 100%; border-collapse: collapse;"> <tr><th colspan="2">Motor Position</th></tr> <tr><td style="width: 10%;">L</td><td style="width: 90%;">Left Side</td></tr> <tr><td>R</td><td>Right Side</td></tr> <tr><td>P</td><td>Left Upper</td></tr> <tr><td>Q</td><td>Left Lower</td></tr> <tr><td>X</td><td>Right Upper</td></tr> <tr><td>Y</td><td>Right Lower</td></tr> </table>	Motor Position		L	Left Side	R	Right Side	P	Left Upper	Q	Left Lower	X	Right Upper	Y	Right Lower	<table border="1" style="width: 100%; border-collapse: collapse;"> <tr><th colspan="2">Motor Specification</th></tr> <tr><th colspan="2">AC Servo</th></tr> <tr><td style="width: 10%;">D</td><td style="width: 90%;">Delta</td></tr> <tr><td>Y</td><td>Yaskawa</td></tr> <tr><td>M</td><td>Mitsubishi</td></tr> <tr><td>P</td><td>Panasonic</td></tr> <tr><td>V</td><td>INVT</td></tr> <tr><td>T</td><td>Others</td></tr> </table>	Motor Specification		AC Servo		D	Delta	Y	Yaskawa	M	Mitsubishi	P	Panasonic	V	INVT	T	Others	<table border="1" style="width: 100%; border-collapse: collapse;"> <tr><th colspan="2">Motor Power</th></tr> <tr><th colspan="2">AC Servo</th></tr> <tr><td style="width: 10%;">B</td><td style="width: 90%;">100W</td></tr> </table>	Motor Power		AC Servo		B	100W												
Lead																																																												
32	32mm																																																											
Stroke																																																												
0050-2550mm																																																												
Motor Position																																																												
L	Left Side																																																											
R	Right Side																																																											
P	Left Upper																																																											
Q	Left Lower																																																											
X	Right Upper																																																											
Y	Right Lower																																																											
Motor Specification																																																												
AC Servo																																																												
D	Delta																																																											
Y	Yaskawa																																																											
M	Mitsubishi																																																											
P	Panasonic																																																											
V	INVT																																																											
T	Others																																																											
Motor Power																																																												
AC Servo																																																												
B	100W																																																											
<table border="1" style="width: 100%; border-collapse: collapse;"> <tr><th colspan="2">Brake</th></tr> <tr><td style="width: 10%;"></td><td style="width: 90%;">Without Brake</td></tr> <tr><td>B</td><td>With Brake</td></tr> </table>	Brake			Without Brake	B	With Brake	<table border="1" style="width: 100%; border-collapse: collapse;"> <tr><th colspan="2">Encoder Type</th></tr> <tr><td style="width: 10%;"></td><td style="width: 90%;">Incremental</td></tr> <tr><td>A</td><td>Absolute</td></tr> </table>	Encoder Type			Incremental	A	Absolute	<table border="1" style="width: 100%; border-collapse: collapse;"> <tr><th colspan="2">Communication Type</th></tr> <tr><td style="width: 10%;"></td><td style="width: 90%;">Basic Type</td></tr> <tr><td>C0</td><td>Modbus</td></tr> <tr><td>C1</td><td>CAN Open</td></tr> <tr><td>C2</td><td>Ether CAT</td></tr> <tr><td>C3</td><td>PROFINET</td></tr> <tr><td>C4</td><td>PROFIBUS</td></tr> <tr><td>C5</td><td>Ethernet/IP</td></tr> <tr><td>C6</td><td>Other Protocol - 1</td></tr> <tr><td>C7</td><td>Other Protocol - 2</td></tr> <tr><td>C8</td><td>Own Protocol -1*</td></tr> <tr><td>C9</td><td>Own Protocol -2*</td></tr> </table>	Communication Type			Basic Type	C0	Modbus	C1	CAN Open	C2	Ether CAT	C3	PROFINET	C4	PROFIBUS	C5	Ethernet/IP	C6	Other Protocol - 1	C7	Other Protocol - 2	C8	Own Protocol -1*	C9	Own Protocol -2*	<table border="1" style="width: 100%; border-collapse: collapse;"> <tr><th colspan="2">Motor & Encoder Cable</th></tr> <tr><td style="width: 10%;">1</td><td style="width: 90%;">1m</td></tr> <tr><td>3</td><td>3m</td></tr> <tr><td>5</td><td>5m</td></tr> <tr><td>T</td><td>10m</td></tr> </table>	Motor & Encoder Cable		1	1m	3	3m	5	5m	T	10m	<table border="1" style="width: 100%; border-collapse: collapse;"> <tr><th colspan="2">I/O Cable</th></tr> <tr><td style="width: 10%;">N</td><td style="width: 90%;">Without Cable (Stand.)</td></tr> <tr><td>1</td><td>1m</td></tr> <tr><td>A</td><td>1.5m</td></tr> <tr><td>2</td><td>2m</td></tr> </table>	I/O Cable		N	Without Cable (Stand.)	1	1m	A	1.5m	2	2m
Brake																																																												
	Without Brake																																																											
B	With Brake																																																											
Encoder Type																																																												
	Incremental																																																											
A	Absolute																																																											
Communication Type																																																												
	Basic Type																																																											
C0	Modbus																																																											
C1	CAN Open																																																											
C2	Ether CAT																																																											
C3	PROFINET																																																											
C4	PROFIBUS																																																											
C5	Ethernet/IP																																																											
C6	Other Protocol - 1																																																											
C7	Other Protocol - 2																																																											
C8	Own Protocol -1*																																																											
C9	Own Protocol -2*																																																											
Motor & Encoder Cable																																																												
1	1m																																																											
3	3m																																																											
5	5m																																																											
T	10m																																																											
I/O Cable																																																												
N	Without Cable (Stand.)																																																											
1	1m																																																											
A	1.5m																																																											
2	2m																																																											
<div style="border: 1px solid black; display: inline-block; padding: 2px;"> Note : * Based on Motor make </div>																																																												
<table border="1" style="width: 100%; border-collapse: collapse;"> <tr><th colspan="2">Customization Order no</th></tr> <tr><td style="width: 10%;">XXXX</td><td style="width: 90%;">Special Requirements</td></tr> </table>	Customization Order no		XXXX	Special Requirements																																																								
Customization Order no																																																												
XXXX	Special Requirements																																																											

Example :1

Ordering no. for Rodless belt drive electric actuator 102mm size,32mm belt lead,150 mm stroke with Delta 100W servo motor mounted at the left side, with 3m Motor cable.

AELB102320150L-DB-3N

Example :2

Ordering no. for Rodless belt drive electric actuator 102mm size,32mm belt lead,150 mm stroke without Delta 100W servo motor mounted at the left side.

AELB102320150L-DB

Linear Electric Actuator

Series AELB

Cat :

Rod less Belt drive Electric Actuator - 135mm

Features

- ❑ Compact Robust Design
- ❑ Highly flexible mounting
- ❑ More Precise & positioning
- ❑ Ease of positioning
- ❑ Ease of Maintenance

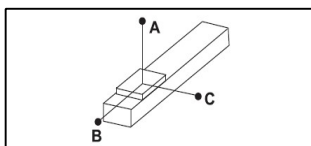


Technical Specifications

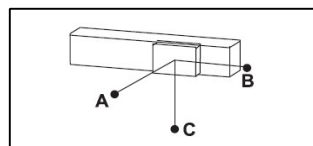
Repeatability (mm)		±0.04
Motor Power (AC Servo in W)		200
Lead (mm)		40
Maximum Speed (mm)/s		2000
Maximum Payload	Horizontal (Kg)	25
	Vertical (Kg)	-
Rated Thrust (N)		100
Stroke (mm)		50-3050 mm
Belt width (mm)		22
High Rigidity Linear Guide (mm)		W15XH12.5
Home Sensor	Outside	EE-SX672 (NPN)

*Acceleration & deceleration value is set as 0.4 seconds

Allowable Moment

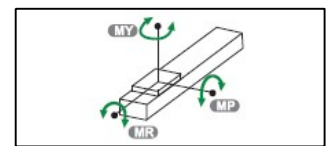


Unit:mm



Unit:mm

Static loading moment



Unit:Nm

Horizontal Installation	A	B	C
10Kg	1794	688	538
20Kg	858	324	253
25kg	670	251	197

Wall Installation	A	B	C
15Kg	348	446	1170
18Kg	285	365	961
25kg	197	251	670

MY	551
MP	552
MR	485

Note:

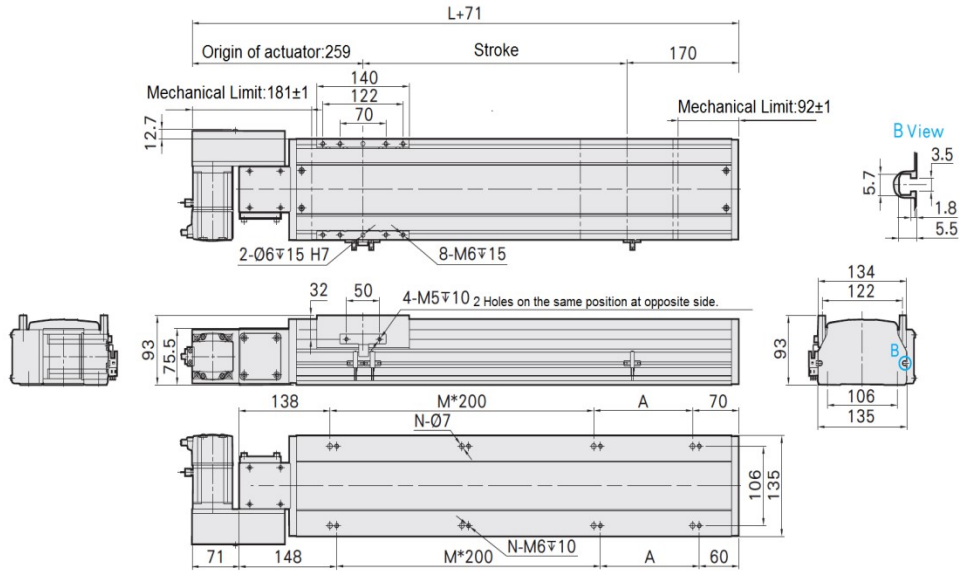
- The torque value in the chart indicates the center of gravity.
- Operation life is 10,000km when the product is using under the specified conditions.
- Data information is not for ceiling-mount inverse use. Contact us for the details if you want to apply ceiling- mount inverse usage

Linear Electric Actuator

Series AELB

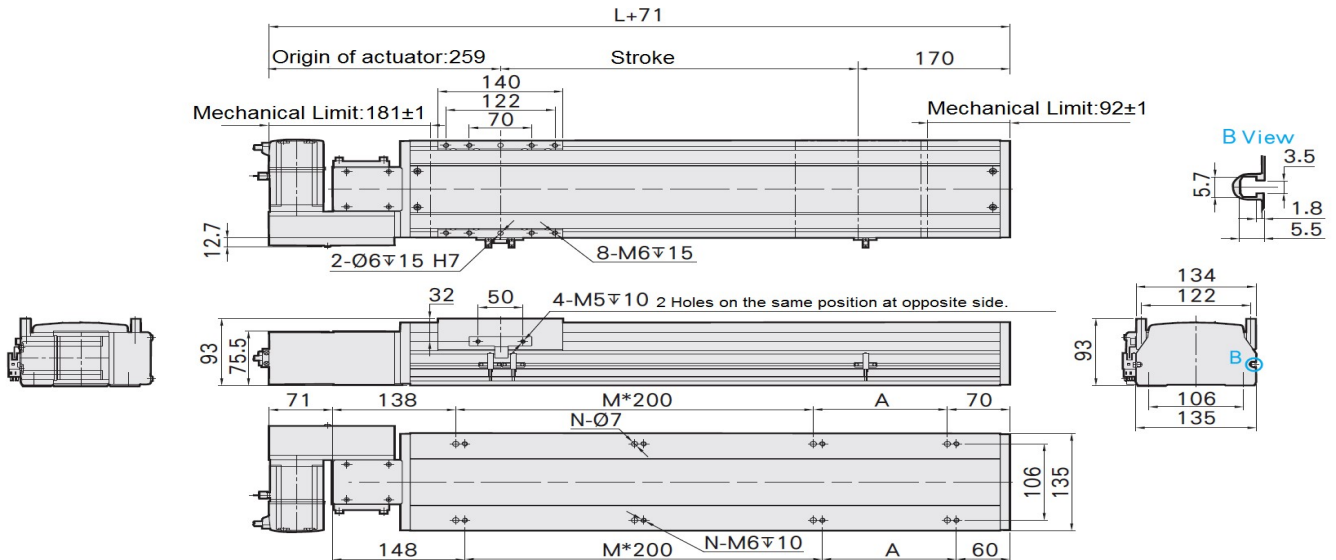
Cat :

Motor Left side-L



Stroke	50	100	150	200	250	300	350	400	450	500	550	600	650	700	750	800	850	900	950	1000	1050	1100	1150	1200	1250	1300	1350	1400	1450	1500	1550
L	408	458	508	558	608	658	708	758	808	858	908	958	1008	1050	1108	1158	1208	1258	1308	1358	1408	1458	1508	1558	1608	1658	1708	1758	1808	1858	1908
A	200	50	100	150	200	50	100	150	200	50	100	150	200	50	100	150	200	50	100	150	200	50	100	150	200	50	100	150	200	50	100
M	0	1	1	1	1	2	2	2	2	3	3	3	3	4	4	4	4	5	5	5	5	6	6	6	6	7	7	7	7	8	8
N	4	6	6	6	6	8	8	8	8	10	10	10	10	12	12	12	12	14	14	14	14	16	16	16	16	18	18	18	18	20	20
Weight(Kg)*	8.2	8.6	9	9.5	10	10.5	11	11.4	12	12.4	13	13.4	13.9	14.4	14.9	15.4	15.9	16.4	16.9	17.3	17.9	18.5	19.1	19.7	20.3	20.9	21.5	22.1	22.7	23.3	23.9
Stroke	1600	1650	1700	1750	1800	1850	1900	1950	2000	2050	2100	2150	2200	2250	2300	2350	2400	2450	2500	2550	2600	2650	2700	2750	2800	2850	2900	2950	3000	3050	
L	1958	2008	2058	2108	2158	2208	2258	2308	2358	2408	2458	2508	2558	2608	2658	2708	2758	2808	2858	2908	2958	3008	3058	3108	3158	3208	3258	3308	3358	3408	
A	150	200	50	100	150	200	50	100	150	200	50	100	150	200	50	100	150	200	50	100	150	200	50	100	150	200	50	100	150	200	
M	8	8	9	9	9	9	10	10	10	10	11	11	11	11	12	12	12	12	13	13	13	13	14	14	14	14	15	15	15	15	
N	20	20	22	22	22	22	24	24	24	24	26	26	26	26	28	28	28	28	30	30	30	30	32	32	32	32	34	34	34	34	
Weight(Kg)*	24.5	25.1	25.7	26.3	26.9	27.5	28.1	28.7	29.3	29.9	30.5	31.1	31.7	32.3	32.9	33.5	34.1	34.7	35.3	35.9	36.5	37.1	37.7	38.3	38.9	39.5	40.1	40.7	41.3	41.9	

Motor Right Side-R



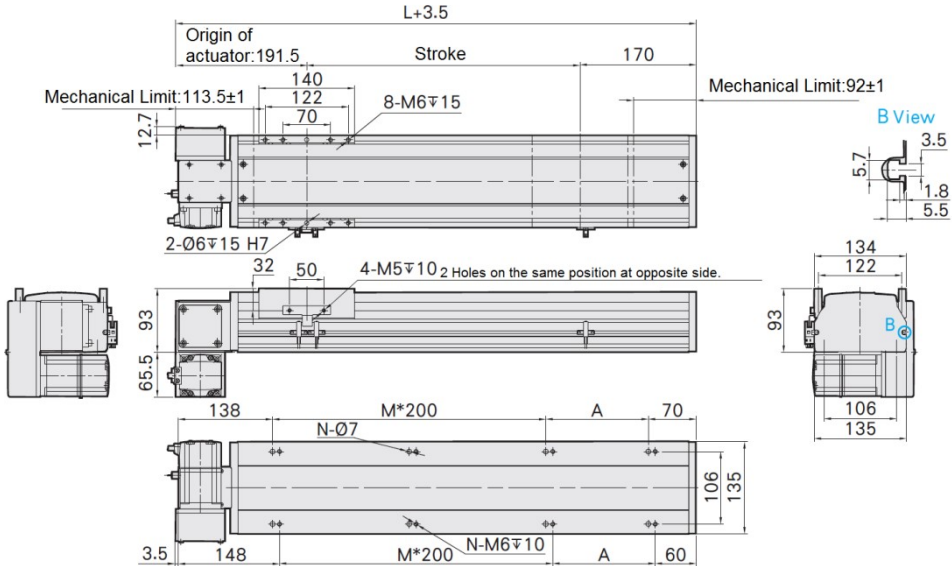
Stroke	50	100	150	200	250	300	350	400	450	500	550	600	650	700	750	800	850	900	950	1000	1050	1100	1150	1200	1250	1300	1350	1400	1450	1500	1550
L	408	458	508	558	608	658	708	758	808	858	908	958	1008	1050	1108	1158	1208	1258	1308	1358	1408	1458	1508	1558	1608	1658	1708	1758	1808	1858	1908
A	200	50	100	150	200	50	100	150	200	50	100	150	200	50	100	150	200	50	100	150	200	50	100	150	200	50	100	150	200	50	100
M	0	1	1	1	1	2	2	2	2	3	3	3	3	4	4	4	4	5	5	5	5	6	6	6	6	7	7	7	7	8	8
N	4	6	6	6	6	8	8	8	8	10	10	10	10	12	12	12	12	14	14	14	14	16	16	16	16	18	18	18	18	20	20
Weight(Kg)*	8.2	8.6	9	9.5	10	10.5	11	11.4	12	12.4	13	13.4	13.9	14.4	14.9	15.4	15.9	16.4	16.9	17.3	17.9	18.5	19.1	19.7	20.3	20.9	21.5	22.1	22.7	23.3	23.9
Stroke	1600	1650	1700	1750	1800	1850	1900	1950	2000	2050	2100	2150	2200	2250	2300	2350	2400	2450	2500	2550	2600	2650	2700	2750	2800	2850	2900	2950	3000	3050	
L	1958	2008	2058	2108	2158	2208	2258	2308	2358	2408	2458	2508	2558	2608	2658	2708	2758	2808	2858	2908	2958	3008	3058	3108	3158	3208	3258	3308	3358	3408	
A	150	200	50	100	150	200	50	100	150	200	50	100	150	200	50	100	150	200	50	100	150	200	50	100	150	200	50	100	150	200	
M	8	8	9	9	9	9	10	10	10	10	11	11	11	11	12	12	12	12	13	13	13	13	14	14	14	14	15	15	15	15	
N	20	20	22	22	22	22	24	24	24	24	26	26	26	26	28	28	28	28	30	30	30	30	32	32	32	32	34	34	34	34	
Weight(Kg)*	24.5	25.1	25.7	26.3	26.9	27.5	28.1	28.7	29.3	29.9	30.5	31.1	31.7	32.3	32.9	33.5	34.1	34.7	35.3	35.9	36.5	37.1	37.7	38.3	38.9	39.5	40.1	40.7	41.3	41.9	

Linear Electric Actuator

Series AELB

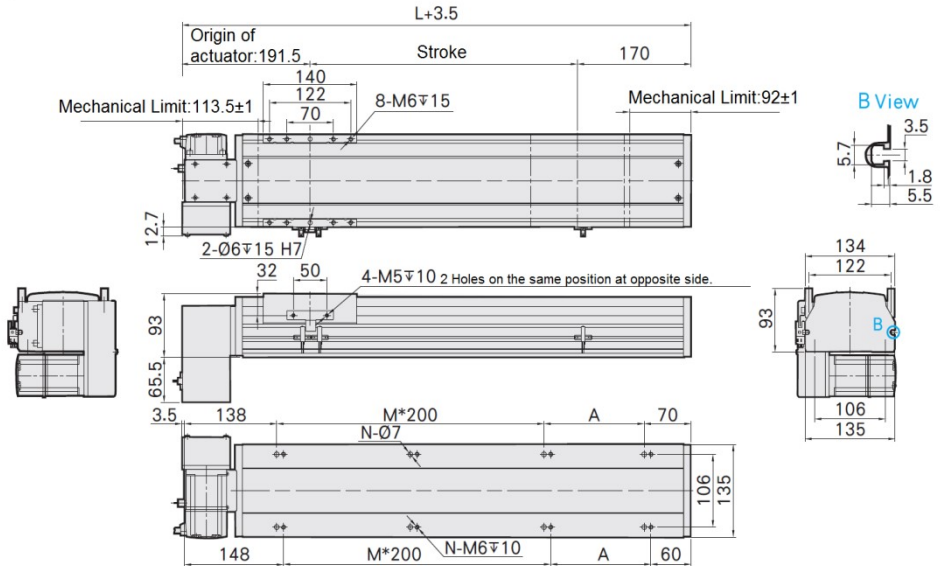
Cat :

Motor Left Lower side-Q



Stroke	50	100	150	200	250	300	350	400	450	500	550	600	650	700	750	800	850	900	950	1000	1050	1100	1150	1200	1250	1300	1350	1400	1450	1500	1550
L	408	458	508	558	608	658	708	758	808	858	908	958	1008	1050	1108	1158	1208	1258	1308	1358	1408	1458	1508	1558	1608	1658	1708	1758	1808	1858	1908
A	200	50	100	150	200	50	100	150	200	50	100	150	200	50	100	150	200	50	100	150	200	50	100	150	200	50	100	150	200	50	100
M	0	1	1	1	1	2	2	2	2	3	3	3	3	4	4	4	4	5	5	5	5	6	6	6	6	7	7	7	7	8	8
N	4	6	6	6	6	8	8	8	8	10	10	10	10	12	12	12	12	14	14	14	14	16	16	16	16	18	18	18	18	20	20
Weight(Kg)*	8.2	8.6	9	9.5	10	10.5	11	11.4	12	12.4	13	13.4	13.9	14.4	14.9	15.4	15.9	16.4	16.9	17.3	17.9	18.5	19.1	19.7	20.3	20.9	21.5	22.1	22.7	23.3	23.9
Stroke	1600	1650	1700	1750	1800	1850	1900	1950	2000	2050	2100	2150	2200	2250	2300	2350	2400	2450	2500	2550	2600	2650	2700	2750	2800	2850	2900	2950	3000	3050	
L	1958	2008	2058	2108	2158	2208	2258	2308	2358	2408	2458	2508	2558	2608	2658	2708	2758	2808	2858	2908	2958	3008	3058	3108	3158	3208	3258	3308	3358	3408	
A	150	200	50	100	150	200	50	100	150	200	50	100	150	200	50	100	150	200	50	100	150	200	50	100	150	200	50	100	150	200	
M	8	8	9	9	9	9	10	10	10	10	11	11	11	11	12	12	12	12	13	13	13	13	14	14	14	14	15	15	15	15	
N	20	20	22	22	22	22	24	24	24	24	26	26	26	26	28	28	28	28	30	30	30	30	32	32	32	32	34	34	34	34	
Weight(Kg)*	24.5	25.1	25.7	26.3	26.9	27.5	28.1	28.7	29.3	29.9	30.5	31.1	31.7	32.3	32.9	33.5	34.1	34.7	35.3	35.9	36.5	37.1	37.7	38.3	38.9	39.5	40.1	40.7	41.3	41.9	

Motor Right Lower side-Y



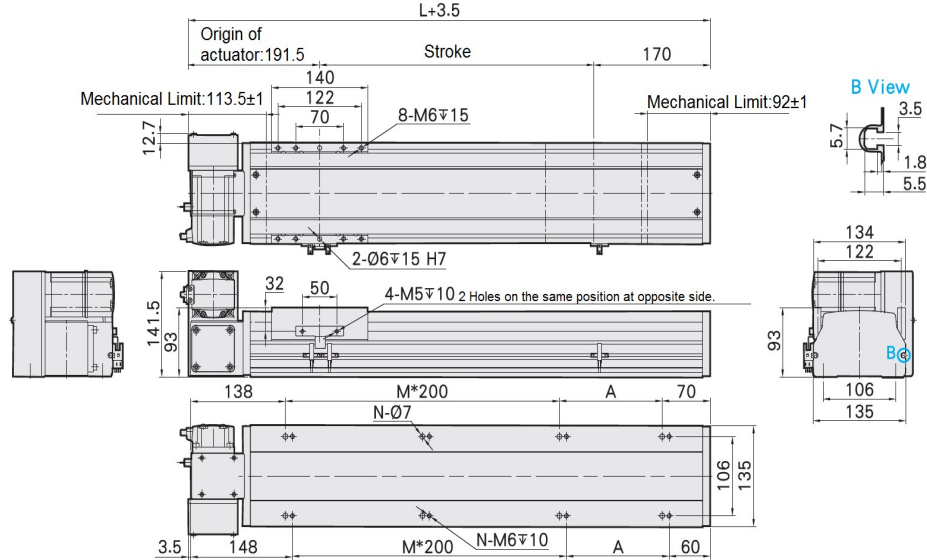
Stroke	50	100	150	200	250	300	350	400	450	500	550	600	650	700	750	800	850	900	950	1000	1050	1100	1150	1200	1250	1300	1350	1400	1450	1500	1550
L	408	458	508	558	608	658	708	758	808	858	908	958	1008	1050	1108	1158	1208	1258	1308	1358	1408	1458	1508	1558	1608	1658	1708	1758	1808	1858	1908
A	200	50	100	150	200	50	100	150	200	50	100	150	200	50	100	150	200	50	100	150	200	50	100	150	200	50	100	150	200	50	100
M	0	1	1	1	1	2	2	2	2	3	3	3	3	4	4	4	4	5	5	5	5	6	6	6	6	7	7	7	7	8	8
N	4	6	6	6	6	8	8	8	8	10	10	10	10	12	12	12	12	14	14	14	14	16	16	16	16	18	18	18	18	20	20
Weight(Kg)*	8.2	8.6	9	9.5	10	10.5	11	11.4	12	12.4	13	13.4	13.9	14.4	14.9	15.4	15.9	16.4	16.9	17.3	17.9	18.5	19.1	19.7	20.3	20.9	21.5	22.1	22.7	23.3	23.9
Stroke	1600	1650	1700	1750	1800	1850	1900	1950	2000	2050	2100	2150	2200	2250	2300	2350	2400	2450	2500	2550	2600	2650	2700	2750	2800	2850	2900	2950	3000	3050	
L	1958	2008	2058	2108	2158	2208	2258	2308	2358	2408	2458	2508	2558	2608	2658	2708	2758	2808	2858	2908	2958	3008	3058	3108	3158	3208	3258	3308	3358	3408	
A	150	200	50	100	150	200	50	100	150	200	50	100	150	200	50	100	150	200	50	100	150	200	50	100	150	200	50	100	150	200	
M	8	8	9	9	9	9	10	10	10	10	11	11	11	11	12	12	12	12	13	13	13	13	14	14	14	14	15	15	15	15	
N	20	20	22	22	22	22	24	24	24	24	26	26	26	26	28	28	28	28	30	30	30	30	32	32	32	32	34	34	34	34	
Weight(Kg)*	24.5	25.1	25.7	26.3	26.9	27.5	28.1	28.7	29.3	29.9	30.5	31.1	31.7	32.3	32.9	33.5	34.1	34.7	35.3	35.9	36.5	37.1	37.7	38.3	38.9	39.5	40.1	40.7	41.3	41.9	

Linear Electric Actuator

Series AELB

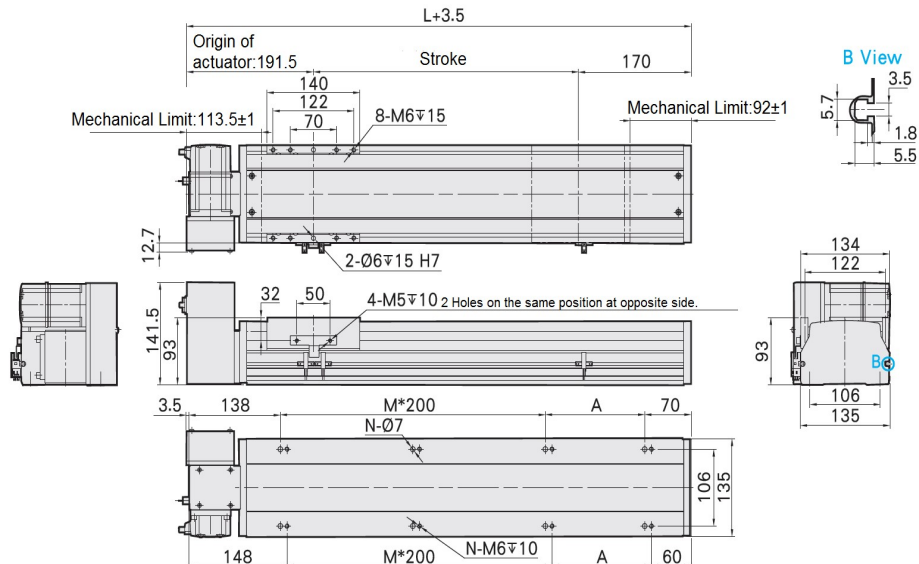
Cat :

Motor Left Upper side-P



Stroke	50	100	150	200	250	300	350	400	450	500	550	600	650	700	750	800	850	900	950	1000	1050	1100	1150	1200	1250	1300	1350	1400	1450	1500	1550
L	408	458	508	558	608	658	708	758	808	858	908	958	1008	1050	1108	1158	1208	1258	1308	1358	1408	1458	1508	1558	1608	1658	1708	1758	1808	1858	1908
A	200	50	100	150	200	50	100	150	200	50	100	150	200	50	100	150	200	50	100	150	200	50	100	150	200	50	100	150	200	50	100
M	0	1	1	1	1	2	2	2	2	3	3	3	3	4	4	4	4	5	5	5	5	5	6	6	6	7	7	7	7	8	8
N	4	6	6	6	6	8	8	8	8	10	10	10	10	12	12	12	12	14	14	14	14	16	16	16	16	18	18	18	18	20	20
Weight(Kg)*	8.2	8.6	9	9.5	10	10.5	11	11.4	12	12.4	13	13.4	13.9	14.4	14.9	15.4	15.9	16.4	16.9	17.3	17.9	18.5	19.1	19.7	20.3	20.9	21.5	22.1	22.7	23.3	23.9
Stroke	1600	1650	1700	1750	1800	1850	1900	1950	2000	2050	2100	2150	2200	2250	2300	2350	2400	2450	2500	2550	2600	2650	2700	2750	2800	2850	2900	2950	3000	3050	
L	1958	2008	2058	2108	2158	2208	2258	2308	2358	2408	2458	2508	2558	2608	2658	2708	2758	2808	2858	2908	2958	3008	3058	3108	3158	3208	3258	3308	3358	3408	
A	150	200	50	100	150	200	50	100	150	200	50	100	150	200	50	100	150	200	50	100	150	200	50	100	150	200	50	100	150	200	
M	8	8	9	9	9	9	10	10	10	10	11	11	11	11	12	12	12	12	13	13	13	13	14	14	14	15	15	15	15	15	
N	20	20	22	22	22	22	24	24	24	24	26	26	26	26	28	28	28	28	30	30	30	30	32	32	32	32	34	34	34	34	
Weight(Kg)*	24.5	25.1	25.7	26.3	26.9	27.5	28.1	28.7	29.3	29.9	30.5	31.1	31.7	32.3	32.9	33.5	34.1	34.7	35.3	35.9	36.5	37.1	37.7	38.3	38.9	39.5	40.1	40.7	41.3	41.9	

Motor Right Upper side-X



Stroke	50	100	150	200	250	300	350	400	450	500	550	600	650	700	750	800	850	900	950	1000	1050	1100	1150	1200	1250	1300	1350	1400	1450	1500	1550
L	408	458	508	558	608	658	708	758	808	858	908	958	1008	1050	1108	1158	1208	1258	1308	1358	1408	1458	1508	1558	1608	1658	1708	1758	1808	1858	1908
A	200	50	100	150	200	50	100	150	200	50	100	150	200	50	100	150	200	50	100	150	200	50	100	150	200	50	100	150	200	50	100
M	0	1	1	1	1	2	2	2	2	3	3	3	3	4	4	4	4	5	5	5	5	5	6	6	6	7	7	7	7	8	8
N	4	6	6	6	6	8	8	8	8	10	10	10	10	12	12	12	12	14	14	14	14	16	16	16	16	18	18	18	18	20	20
Weight(Kg)*	8.2	8.6	9	9.5	10	10.5	11	11.4	12	12.4	13	13.4	13.9	14.4	14.9	15.4	15.9	16.4	16.9	17.3	17.9	18.5	19.1	19.7	20.3	20.9	21.5	22.1	22.7	23.3	23.9
Stroke	1600	1650	1700	1750	1800	1850	1900	1950	2000	2050	2100	2150	2200	2250	2300	2350	2400	2450	2500	2550	2600	2650	2700	2750	2800	2850	2900	2950	3000	3050	
L	1958	2008	2058	2108	2158	2208	2258	2308	2358	2408	2458	2508	2558	2608	2658	2708	2758	2808	2858	2908	2958	3008	3058	3108	3158	3208	3258	3308	3358	3408	
A	150	200	50	100	150	200	50	100	150	200	50	100	150	200	50	100	150	200	50	100	150	200	50	100	150	200	50	100	150	200	
M	8	8	9	9	9	9	10	10	10	10	11	11	11	11	12	12	12	12	13	13	13	13	14	14	14	15	15	15	15	15	
N	20	20	22	22	22	22	24	24	24	24	26	26	26	26	28	28	28	28	30	30	30	30	32	32	32	32	34	34	34	34	
Weight(Kg)*	24.5	25.1	25.7	26.3	26.9	27.5	28.1	28.7	29.3	29.9	30.5	31.1	31.7	32.3	32.9	33.5	34.1	34.7	35.3	35.9	36.5	37.1	37.7	38.3	38.9	39.5	40.1	40.7	41.3	41.9	

Linear Electric Actuator

Series AELB

Cat :

How to order:

AELB135

	Lead	Stroke	Motor Position	Motor Specification	Motor Power
	40 40mm	0050-3050mm	L Left Side R Right Side P Left Upper Q Left Lower X Right Upper Y Right Lower	AC Servo D Delta Y Yaskawa M Mitsubishi P Panasonic V INVT T Others	AC Servo C 200W
	Brake	Encoder Type	Communication Type	Motor & Encoder Cable	I/O Cable
	Without Brake B With Brake	Incremental A Absolute	Basic Type C0 Modbus C1 CAN Open C2 Ether CAT C3 PROFINET C4 PROFIBUS C5 Ethernet/IP C6 Other Protocol -1 C7 Other Protocol -2 C8 Own Protocol -1* C9 Own Protocol -2*	1 1m 3 3m 5 5m T 10m	N Without Cable (Stand.) 1 1m A 1.5m 2 2m

Note : * Based on Motor make

	Customization Order no
XXXX	Special Requirements

Example :1

Ordering no. for Rodless belt drive electric actuator 135mm size,40mm belt lead,150 mm stroke with Delta 200W servo motor mounted at the left side, with 3m Motor cable.

AELB135400150L-DC-3N

Example :2

Ordering no. for Rodless belt drive electric actuator 135mm size,40mm belt lead,150 mm stroke without Delta 200W servo motor mounted at the left side.

AELB135400150L-DC

Linear Electric Actuator

Series AELB

Cat :

Rod less Belt drive Electric Actuator - 170mm

Features

- ❑ Compact Robust Design
- ❑ Highly flexible mounting
- ❑ More Precise & positioning
- ❑ Ease of positioning
- ❑ Ease of Maintenance

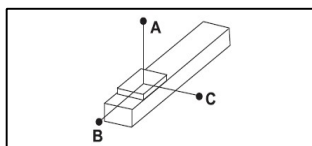


Technical Specifications

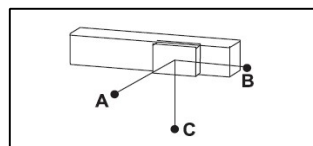
Repeatability (mm)		±0.04
Motor Power (AC Servo in W)		400
Lead (mm)		40
Maximum Speed (mm)/s)		2000
Maximum Payload	Horizontal (Kg)	40
	Vertical (Kg)	-
Rated Thrust (N)		204
Stroke (mm)		50-3050 mm
Belt width (mm)		30
High Rigidity Linear Guide (mm)		W20XH15
Home Sensor	Outside	EE-SX672 (NPN)

*Acceleration & deceleration value is set as 0.4 seconds

Allowable Moment

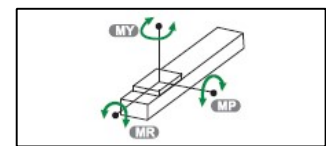


Unit:mm



Unit:mm

Static loading moment



Unit:Nm

Horizontal Installation	A	B	C
10Kg	2942	1133	1033
20Kg	1430	547	498
30Kg	926	350	320
45Kg	588	219	201

Wall Installation	A	B	C
15Kg	676	742	1933
25Kg	390	428	1127
35Kg	269	294	781
45Kg	201	219	588

MY	1032
MP	1034
MR	908

Note:

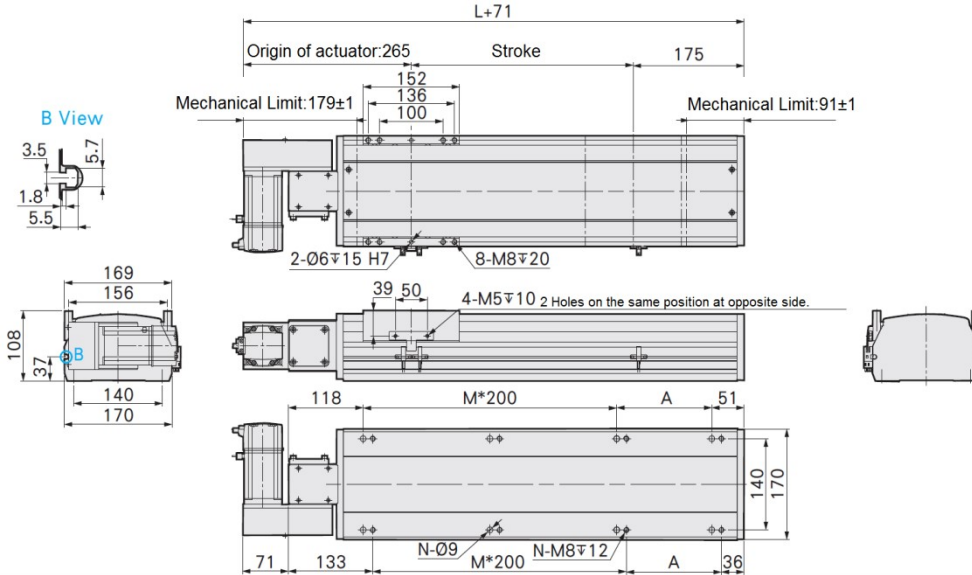
- The torque value in the chart indicates the center of gravity.
- Operation life is 10,000km when the product is using under the specified conditions.
- Data information is not for ceiling-mount inverse use. Contact us for the details if you want to apply ceiling- mount inverse usage

Linear Electric Actuator

Series AELB

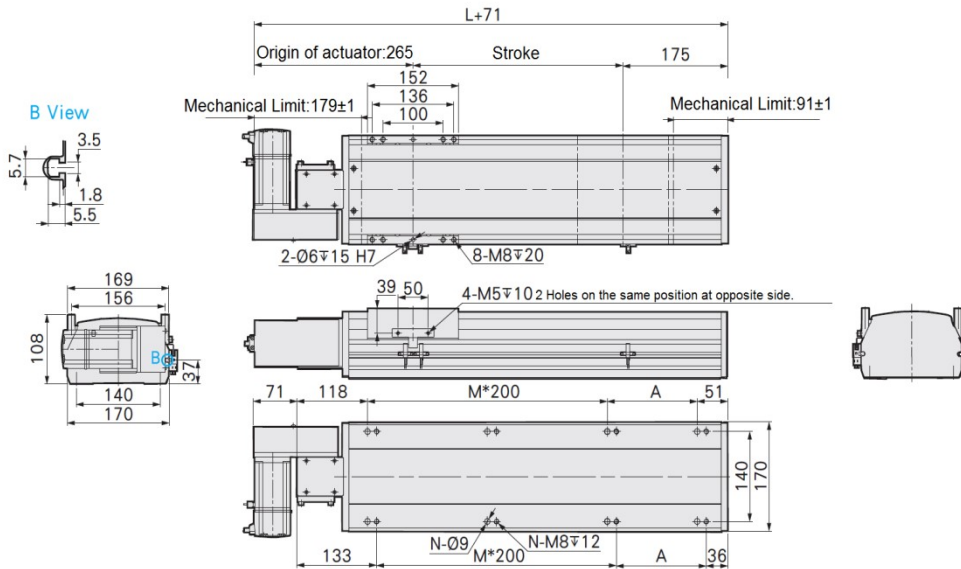
Cat :

Motor Left side-L



Stroke	50	100	150	200	250	300	350	400	450	500	550	600	650	700	750	800	850	900	950	1000	1050	1100	1150	1200	1250	1300	1350	1400	1450	1500	1550
L	419	469	519	569	619	669	719	769	819	869	919	969	1019	1069	1119	1169	1219	1269	1319	1369	1419	1469	1519	1569	1619	1669	1719	1769	1819	1869	1919
A	50	100	150	200	50	100	150	200	50	100	150	200	50	100	150	200	50	100	150	200	50	100	150	200	50	100	150	200	50	100	150
M	1	1	1	1	2	2	2	2	3	3	3	3	4	4	4	4	5	5	5	5	6	6	6	6	7	7	7	7	8	8	8
N	6	6	6	6	8	8	8	8	10	10	10	10	12	12	12	12	14	14	14	14	16	16	16	16	18	18	18	18	20	20	20
Weight(Kg)*	10.2	12	13.8	14.6	15.4	16.1	16.9	17.7	18.5	19.2	20	20.8	21.6	22.3	23.1	23.9	24.7	25.4	26.2	27	27.8	28.6	29.4	30.2	31	31.8	32.6	33.4	34.2	35	35.8
Stroke	1600	1650	1700	1750	1800	1850	1900	1950	2000	2050	2100	2150	2200	2250	2300	2350	2400	2450	2500	2550	2600	2650	2700	2750	2800	2850	2900	2950	3000	3050	
L	1969	2019	2069	2119	2169	2219	2269	2319	2369	2419	2469	2519	2569	2619	2669	2719	2769	2819	2869	2919	2969	3019	3069	3119	3169	3219	3269	3319	3369	3419	
A	200	50	100	150	200	50	100	150	200	50	100	150	200	50	100	150	200	50	100	150	200	50	100	150	200	50	100	150	200	50	
M	8	9	9	9	9	10	10	10	10	11	11	11	11	12	12	12	12	13	13	13	13	14	14	14	14	15	15	15	15	16	
N	20	22	22	22	22	24	24	24	24	26	26	26	26	28	28	28	28	30	30	30	30	32	32	32	32	34	34	34	34	36	
Weight(Kg)*	36.6	37.4	38.2	39	39.8	40.6	41.4	42.2	43	43.8	44.6	45.4	46.2	47	47.8	48.8	49.4	50.2	51	51.8	52.8	53.4	54.2	55	55.8	56.8	57.4	58.2	59	59.8	

Motor Right Side-R



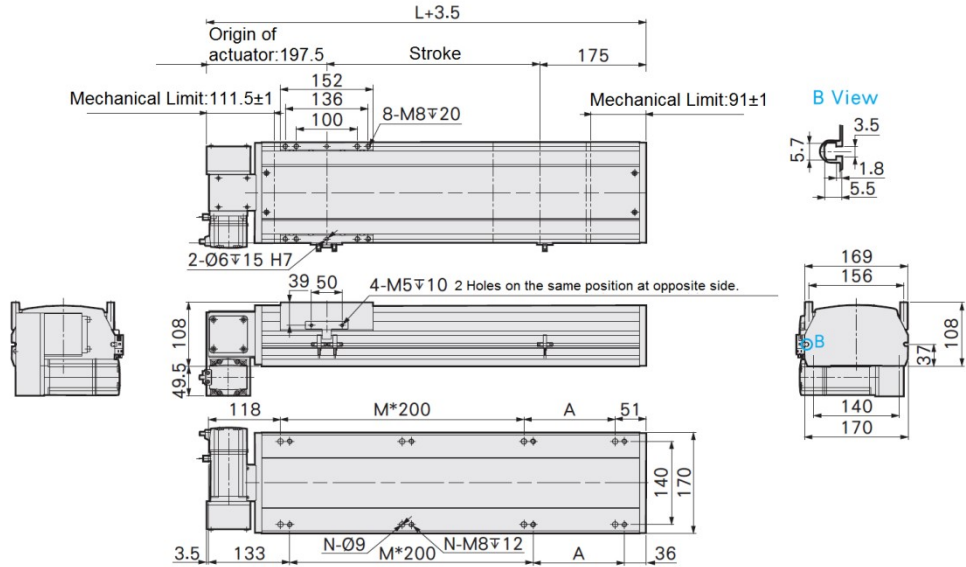
Stroke	50	100	150	200	250	300	350	400	450	500	550	600	650	700	750	800	850	900	950	1000	1050	1100	1150	1200	1250	1300	1350	1400	1450	1500	1550
L	419	469	519	569	619	669	719	769	819	869	919	969	1019	1069	1119	1169	1219	1269	1319	1369	1419	1469	1519	1569	1619	1669	1719	1769	1819	1869	1919
A	50	100	150	200	50	100	150	200	50	100	150	200	50	100	150	200	50	100	150	200	50	100	150	200	50	100	150	200	50	100	150
M	1	1	1	1	2	2	2	2	3	3	3	3	4	4	4	4	5	5	5	5	6	6	6	6	7	7	7	7	8	8	8
N	6	6	6	6	8	8	8	8	10	10	10	10	12	12	12	12	14	14	14	14	16	16	16	16	18	18	18	18	20	20	20
Weight(Kg)*	10.2	12	13.8	14.6	15.4	16.1	16.9	17.7	18.5	19.2	20	20.8	21.6	22.3	23.1	23.9	24.7	25.4	26.2	27	27.8	28.6	29.4	30.2	31	31.8	32.6	33.4	34.2	35	35.8
Stroke	1600	1650	1700	1750	1800	1850	1900	1950	2000	2050	2100	2150	2200	2250	2300	2350	2400	2450	2500	2550	2600	2650	2700	2750	2800	2850	2900	2950	3000	3050	
L	1969	2019	2069	2119	2169	2219	2269	2319	2369	2419	2469	2519	2569	2619	2669	2719	2769	2819	2869	2919	2969	3019	3069	3119	3169	3219	3269	3319	3369	3419	
A	200	50	100	150	200	50	100	150	200	50	100	150	200	50	100	150	200	50	100	150	200	50	100	150	200	50	100	150	200	50	
M	8	9	9	9	9	10	10	10	10	11	11	11	11	12	12	12	12	13	13	13	13	14	14	14	14	15	15	15	15	16	
N	20	22	22	22	22	24	24	24	24	26	26	26	26	28	28	28	28	30	30	30	30	32	32	32	32	34	34	34	34	36	
Weight(Kg)*	36.6	37.4	38.2	39	39.8	40.6	41.4	42.2	43	43.8	44.6	45.4	46.2	47	47.8	48.8	49.4	50.2	51	51.8	52.8	53.4	54.2	55	55.8	56.8	57.4	58.2	59	59.8	

Linear Electric Actuator

Series AELB

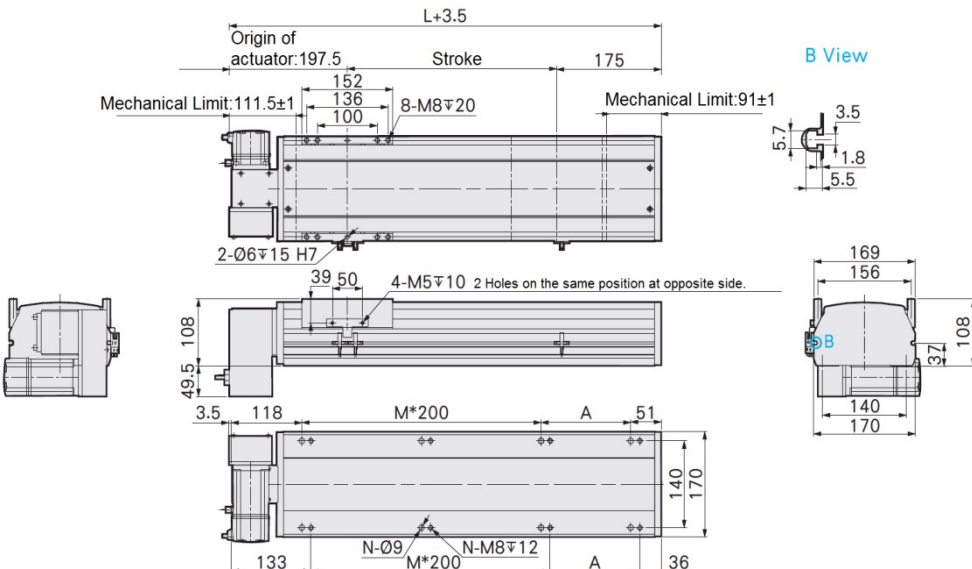
Cat :

Motor Left Lower side-Q



Stroke	50	100	150	200	250	300	350	400	450	500	550	600	650	700	750	800	850	900	950	1000	1050	1100	1150	1200	1250	1300	1350	1400	1450	1500	1550
L	419	469	519	569	619	669	719	769	819	869	919	969	1019	1069	1119	1169	1219	1269	1319	1369	1419	1469	1519	1569	1619	1669	1719	1769	1819	1869	1919
A	50	100	150	200	50	100	150	200	50	100	150	200	50	100	150	200	50	100	150	200	50	100	150	200	50	100	150	200	50	100	150
M	1	1	1	1	2	2	2	2	3	3	3	3	4	4	4	4	5	5	5	5	6	6	6	6	7	7	7	7	8	8	8
N	6	6	6	6	8	8	8	8	10	10	10	10	12	12	12	12	14	14	14	14	16	16	16	16	18	18	18	18	20	20	20
Weight(Kg)*	10.2	12	13.8	14.6	15.4	16.1	16.9	17.7	18.5	19.2	20	20.8	21.6	22.3	23.1	23.9	24.7	25.4	26.2	27	27.8	28.6	29.4	30.2	31	31.8	32.6	33.4	34.2	35	35.8
Stroke	1600	1650	1700	1750	1800	1850	1900	1950	2000	2050	2100	2150	2200	2250	2300	2350	2400	2450	2500	2550	2600	2650	2700	2750	2800	2850	2900	2950	3000	3050	
L	1969	2019	2069	2119	2169	2219	2269	2319	2369	2419	2469	2519	2569	2619	2669	2719	2769	2819	2869	2919	2969	3019	3069	3119	3169	3219	3269	3319	3369	3419	
A	200	50	100	150	200	50	100	150	200	50	100	150	200	50	100	150	200	50	100	150	200	50	100	150	200	50	100	150	200	50	
M	8	9	9	9	9	10	10	10	10	11	11	11	11	12	12	12	12	13	13	13	13	13	14	14	14	14	15	15	15	16	
N	20	22	22	22	22	24	24	24	24	26	26	26	26	28	28	28	28	30	30	30	30	32	32	32	32	34	34	34	34	36	
Weight(Kg)*	36.6	37.4	38.2	39	39.8	40.6	41.4	42.2	43	43.8	44.6	45.4	46.2	47	47.8	48.8	49.4	50.2	51	51.8	52.8	53.4	54.2	55	55.8	56.8	57.4	58.2	59	59.8	

Motor Right Lower side-Y



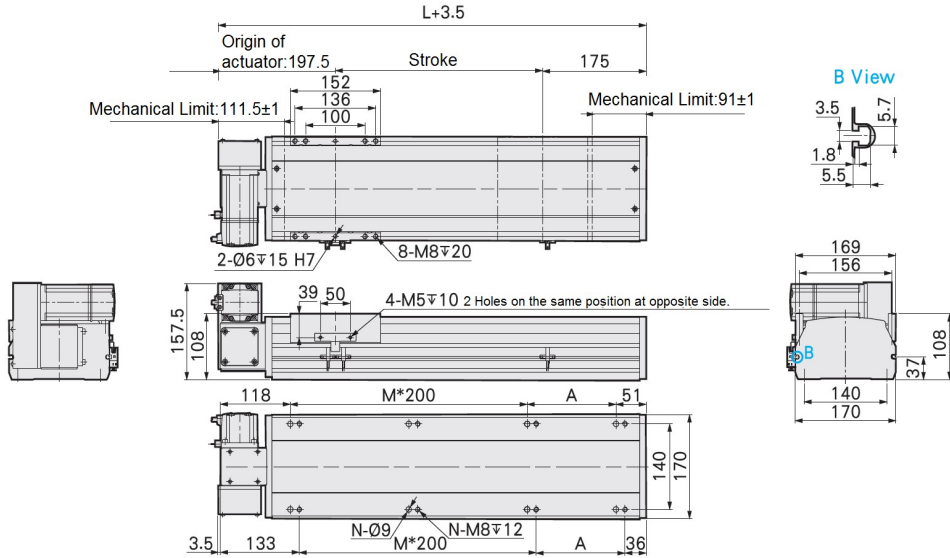
Stroke	50	100	150	200	250	300	350	400	450	500	550	600	650	700	750	800	850	900	950	1000	1050	1100	1150	1200	1250	1300	1350	1400	1450	1500	1550
L	419	469	519	569	619	669	719	769	819	869	919	969	1019	1069	1119	1169	1219	1269	1319	1369	1419	1469	1519	1569	1619	1669	1719	1769	1819	1869	1919
A	50	100	150	200	50	100	150	200	50	100	150	200	50	100	150	200	50	100	150	200	50	100	150	200	50	100	150	200	50	100	150
M	1	1	1	1	2	2	2	2	3	3	3	3	4	4	4	4	5	5	5	5	6	6	6	6	7	7	7	7	8	8	8
N	6	6	6	6	8	8	8	8	10	10	10	10	12	12	12	12	14	14	14	14	16	16	16	16	18	18	18	18	20	20	20
Weight(Kg)*	10.2	12	13.8	14.6	15.4	16.1	16.9	17.7	18.5	19.2	20	20.8	21.6	22.3	23.1	23.9	24.7	25.4	26.2	27	27.8	28.6	29.4	30.2	31	31.8	32.6	33.4	34.2	35	35.8
Stroke	1600	1650	1700	1750	1800	1850	1900	1950	2000	2050	2100	2150	2200	2250	2300	2350	2400	2450	2500	2550	2600	2650	2700	2750	2800	2850	2900	2950	3000	3050	
L	1969	2019	2069	2119	2169	2219	2269	2319	2369	2419	2469	2519	2569	2619	2669	2719	2769	2819	2869	2919	2969	3019	3069	3119	3169	3219	3269	3319	3369	3419	
A	200	50	100	150	200	50	100	150	200	50	100	150	200	50	100	150	200	50	100	150	200	50	100	150	200	50	100	150	200	50	
M	8	9	9	9	9	10	10	10	10	11	11	11	11	12	12	12	12	13	13	13	13	13	14	14	14	14	15	15	15	16	
N	20	22	22	22	22	24	24	24	24	26	26	26	26	28	28	28	28	30	30	30	30	32	32	32	32	34	34	34	34	36	
Weight(Kg)*	36.6	37.4	38.2	39	39.8	40.6	41.4	42.2	43	43.8	44.6	45.4	46.2	47	47.8	48.8	49.4	50.2	51	51.8	52.8	53.4	54.2	55	55.8	56.8	57.4	58.2	59	59.8	

Linear Electric Actuator

Series AELB

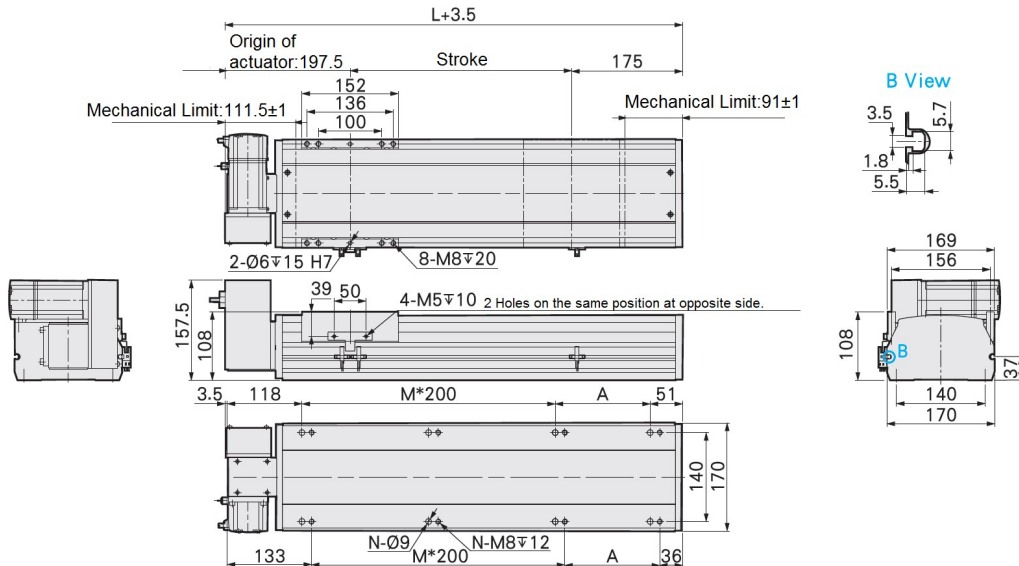
Cat :

Motor Left Upper side-P



Stroke	50	100	150	200	250	300	350	400	450	500	550	600	650	700	750	800	850	900	950	1000	1050	1100	1150	1200	1250	1300	1350	1400	1450	1500	1550
L	419	469	519	569	619	669	719	769	819	869	919	969	1019	1069	1119	1169	1219	1269	1319	1369	1419	1469	1519	1569	1619	1669	1719	1769	1819	1869	1919
A	50	100	150	200	50	100	150	200	50	100	150	200	50	100	150	200	50	100	150	200	50	100	150	200	50	100	150	200	50	100	150
M	1	1	1	1	2	2	2	2	3	3	3	4	4	4	4	5	5	5	5	6	6	6	7	7	7	7	8	8	8	8	
N	6	6	6	6	8	8	8	8	10	10	10	12	12	12	12	14	14	14	14	16	16	16	18	18	18	18	18	20	20	20	
Weight(Kg)*	10.2	12	13.8	14.6	15.4	16.1	16.9	17.7	18.5	19.2	20	20.8	21.6	22.3	23.1	23.9	24.7	25.4	26.2	27	27.8	28.6	29.4	30.2	31	31.8	32.6	33.4	34.2	35	35.8
Stroke	1600	1650	1700	1750	1800	1850	1900	1950	2000	2050	2100	2150	2200	2250	2300	2350	2400	2450	2500	2550	2600	2650	2700	2750	2800	2850	2900	2950	3000	3050	
L	1969	2019	2069	2119	2169	2219	2269	2319	2369	2419	2469	2519	2569	2619	2669	2719	2769	2819	2869	2919	2969	3019	3069	3119	3169	3219	3269	3319	3369	3419	
A	200	50	100	150	200	50	100	150	200	50	100	150	200	50	100	150	200	50	100	150	200	50	100	150	200	50	100	150	200	50	
M	8	9	9	9	9	10	10	10	10	11	11	11	11	12	12	12	12	13	13	13	13	14	14	14	14	15	15	15	15	16	
N	20	22	22	22	22	24	24	24	24	26	26	26	26	28	28	28	28	30	30	30	30	32	32	32	32	34	34	34	34	36	
Weight(Kg)*	36.6	37.4	38.2	39	39.8	40.6	41.4	42.2	43	43.8	44.6	45.4	46.2	47	47.8	48.8	49.4	50.2	51	51.8	52.8	53.4	54.2	55	55.8	56.8	57.4	58.2	59	59.8	

Motor Right Upper side-X



Stroke	50	100	150	200	250	300	350	400	450	500	550	600	650	700	750	800	850	900	950	1000	1050	1100	1150	1200	1250	1300	1350	1400	1450	1500	1550
L	419	469	519	569	619	669	719	769	819	869	919	969	1019	1069	1119	1169	1219	1269	1319	1369	1419	1469	1519	1569	1619	1669	1719	1769	1819	1869	1919
A	50	100	150	200	50	100	150	200	50	100	150	200	50	100	150	200	50	100	150	200	50	100	150	200	50	100	150	200	50	100	150
M	1	1	1	1	2	2	2	2	3	3	3	4	4	4	4	5	5	5	5	6	6	6	7	7	7	7	8	8	8	8	
N	6	6	6	6	8	8	8	8	10	10	10	12	12	12	12	14	14	14	14	16	16	16	18	18	18	18	18	20	20	20	
Weight(Kg)*	10.2	12	13.8	14.6	15.4	16.1	16.9	17.7	18.5	19.2	20	20.8	21.6	22.3	23.1	23.9	24.7	25.4	26.2	27	27.8	28.6	29.4	30.2	31	31.8	32.6	33.4	34.2	35	35.8
Stroke	1600	1650	1700	1750	1800	1850	1900	1950	2000	2050	2100	2150	2200	2250	2300	2350	2400	2450	2500	2550	2600	2650	2700	2750	2800	2850	2900	2950	3000	3050	
L	1969	2019	2069	2119	2169	2219	2269	2319	2369	2419	2469	2519	2569	2619	2669	2719	2769	2819	2869	2919	2969	3019	3069	3119	3169	3219	3269	3319	3369	3419	
A	200	50	100	150	200	50	100	150	200	50	100	150	200	50	100	150	200	50	100	150	200	50	100	150	200	50	100	150	200	50	
M	8	9	9	9	9	10	10	10	10	11	11	11	11	12	12	12	12	13	13	13	13	14	14	14	14	15	15	15	15	16	
N	20	22	22	22	22	24	24	24	24	26	26	26	26	28	28	28	28	30	30	30	30	32	32	32	32	34	34	34	34	36	
Weight(Kg)*	36.6	37.4	38.2	39	39.8	40.6	41.4	42.2	43	43.8	44.6	45.4	46.2	47	47.8	48.8	49.4	50.2	51	51.8	52.8	53.4	54.2	55	55.8	56.8	57.4	58.2	59	59.8	

Linear Electric Actuator

Series AELB

Cat :

How to order

AELB170

	Lead	Stroke	Motor Position	Motor Specification	Motor Power
	40 40mm	0050-3050mm	L Left Side R Right Side P Left Upper Q Left Lower X Right Upper Y Right Lower	AC Servo D Delta Y Yaskawa M Mitsubishi P Panasonic V INVT T Others	AC Servo D 400W

	Brake	Encoder Type	Communication Type	Motor & Encoder Cable	I/O Cable
	Without Brake B With Brake	Incremental A Absolute	Basic Type C0 Modbus C1 CAN Open C2 Ether CAT C3 PROFINET C4 PROFIBUS C5 Ethernet/IP C6 Other Protocol -1 C7 Other Protocol -2 C8 Own Protocol -1* C9 Own Protocol -2*	1 1m 3 3m 5 5m T 10m	N Without Cable (Stand.) 1 1m A 1.5m 2 2m

Note : * Based on Motor make

	Customization Order no
XXXX	Special Requirements

Example :1

Ordering no. for Rodless belt drive electric actuator 170mm size,40mm belt lead,150 mm stroke with Delta 400W servo motor mounted at the left side, with 3m Motor cable.

AELB170400150L-DD-3N

Example :2

Ordering no. for Rodless belt drive electric actuator 170mm size,40mm belt lead,150 mm stroke without Delta 400W servo motor mounted at the left side.

AELB170400150L-DD

Linear Electric Actuator

Series AELB

Cat :

Rod less Belt drive Electric Actuator - 220mm

Features

- ❑ Compact Robust Design
- ❑ Highly flexible mounting
- ❑ More Precise & positioning
- ❑ Ease of positioning
- ❑ Ease of Maintenance

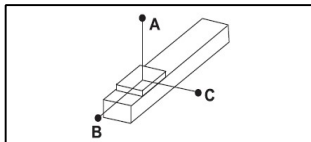


Technical Specifications

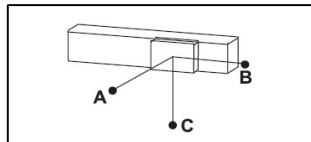
Repeatability (mm)		±0.04
Motor Power (AC Servo in W)		750
Lead (mm)		40
Maximum Speed (mm/s)		2000
Maximum Payload	Horizontal (Kg)	85
	Vertical (Kg)	-
Rated Thrust (N)		367
Stroke (mm)		50-3500 mm
Belt width (mm)		50
High Rigidity Linear Guide (mm)		W23XH18
Home Sensor	Outside	EE-SX672 (NPN)

*Acceleration & deceleration value is set as 0.4 seconds

Allowable Moment

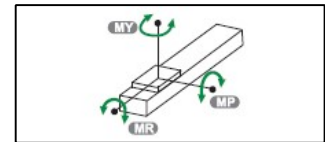


Unit:mm



Unit:mm

Static loading moment



Unit:Nm

Horizontal Installation	A	B	C
45Kg	1588	600	349
65Kg	1052	328	285
85Kg	768	281	206

Wall Installation	A	B	C
40Kg	500	685	1805
60Kg	315	430	1152
85Kg	206	281	768

MY	2052
MP	2052
MR	1810

Note:

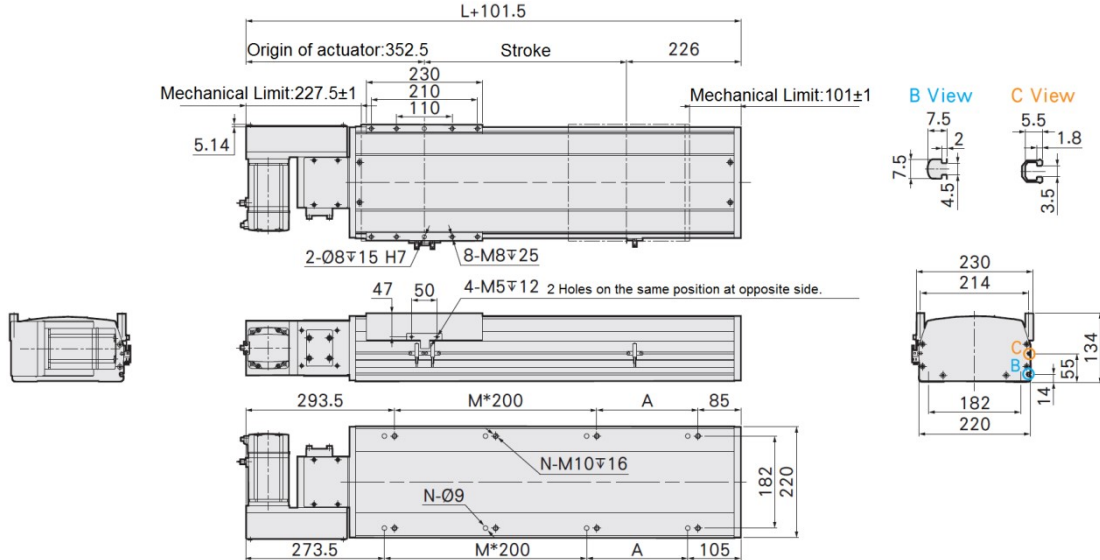
- The torque value in the chart indicates the center of gravity.
- Operation life is 10,000km when the product is using under the specified conditions.
- Data information is not for ceiling-mount inverse use. Contact us for the details if you want to apply ceiling- mount inverse usage

Linear Electric Actuator

Series AELB

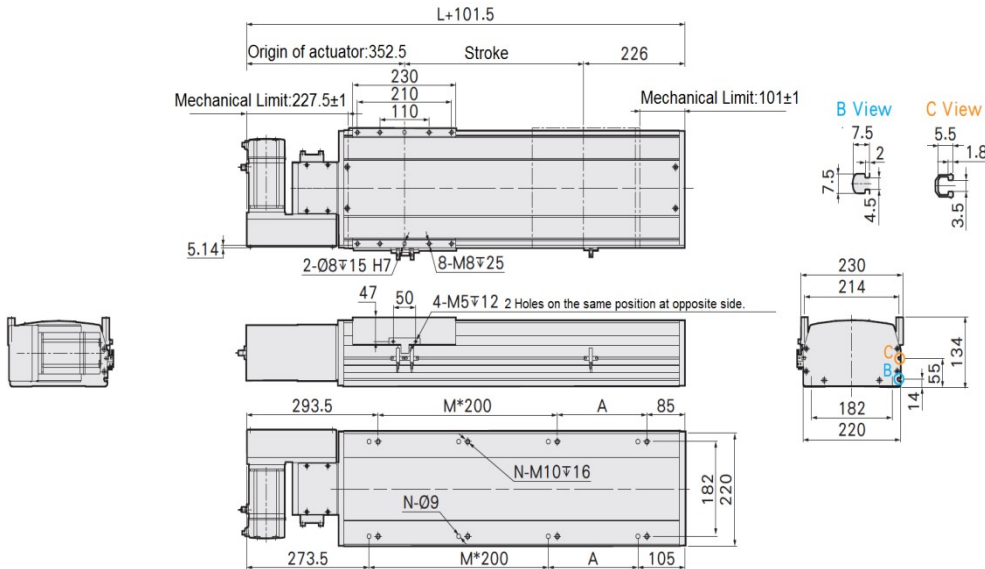
Cat :

Motor Left side-L



Stroke	50	100	150	200	250	300	350	400	450	500	550	600	650	700	750	800	850	900	950	1000	1050	1100	1150	1200	1250	1300	1350	1400	1450	1500	1550
L	527	577	627	677	727	777	827	877	927	977	1027	1077	1127	1177	1227	1277	1327	1377	1427	1477	1527	1577	1627	1677	1727	1777	1827	1877	1927	1977	2027
A	50	100	150	200	50	100	150	200	50	100	150	200	50	100	150	200	50	100	150	200	50	100	150	200	50	100	150	200	50	100	150
M	1	1	1	1	2	2	2	2	3	3	3	4	4	4	4	5	5	5	5	6	6	6	6	7	7	7	7	8	8	8	
N	6	6	6	6	8	8	8	8	10	10	10	10	12	12	12	12	14	14	14	14	16	16	16	16	18	18	18	18	20	20	20
Weight(Kg)*	28.8	30	31.2	32.4	33.6	34.8	36	37.2	38.4	39.6	40.8	42	43.2	44.4	45.6	46.8	48	49.2	50.4	51.6	52.8	54	55.2	56.4	59.2	59.8	60	61.2	62.4	63.6	64.8
Stroke	1600	1650	1700	1750	1800	1850	1900	1950	2000	2050	2100	2150	2200	2250	2300	2350	2400	2450	2500	2550	2600	2650	2700	2750	2800	2850	2900	2950	3000	3050	
L	2077	2127	2177	2227	2277	2327	2377	2427	2477	2527	2577	2627	2677	2727	2777	2827	2877	2927	2977	3027	3077	3127	3177	3227	3277	3327	3377	3427	3477	3527	
A	200	50	100	150	200	50	100	150	200	50	100	150	200	50	100	150	200	50	100	150	200	50	100	150	200	50	100	150	200	50	
M	8	9	9	9	9	10	10	10	10	11	11	11	11	12	12	12	12	13	13	13	13	14	14	14	14	15	15	15	15	16	
N	20	22	22	22	22	24	24	24	24	26	26	26	26	28	28	28	28	30	30	30	30	32	32	32	32	34	34	34	34	36	
Weight(Kg)*	66	67.2	68.4	69.6	70.8	72	73.2	74.4	75.6	76.8	78	79.2	80.4	81.6	82.8	84	85.2	86.4	87.6	88.8	90	91.2	92.4	93.6	94.8	96	97.2	98.4	99.6	101	

Motor Right Side-R



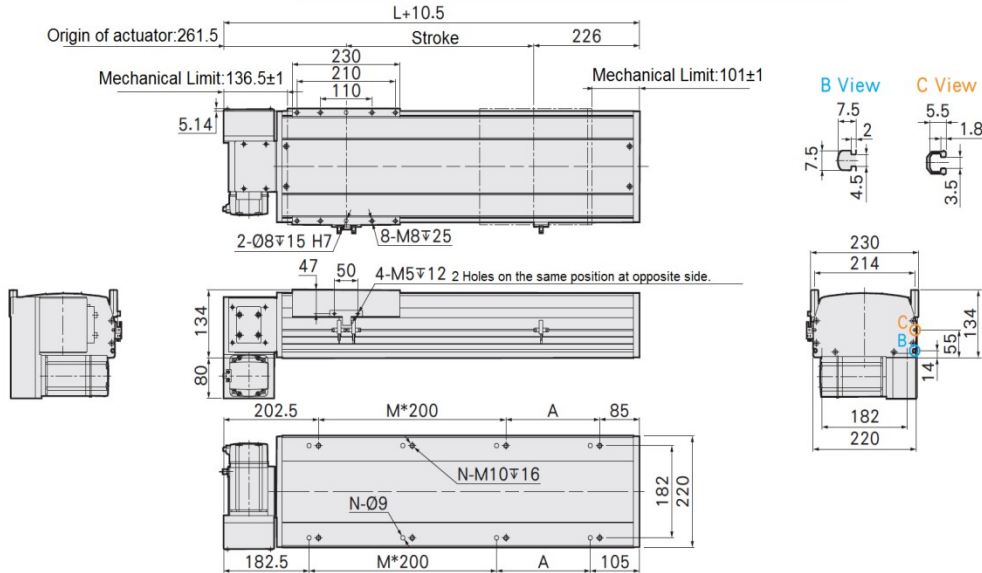
Stroke	50	100	150	200	250	300	350	400	450	500	550	600	650	700	750	800	850	900	950	1000	1050	1100	1150	1200	1250	1300	1350	1400	1450	1500	1550
L	527	577	627	677	727	777	827	877	927	977	1027	1077	1127	1177	1227	1277	1327	1377	1427	1477	1527	1577	1627	1677	1727	1777	1827	1877	1927	1977	2027
A	50	100	150	200	50	100	150	200	50	100	150	200	50	100	150	200	50	100	150	200	50	100	150	200	50	100	150	200	50	100	150
M	1	1	1	1	2	2	2	2	3	3	3	4	4	4	4	5	5	5	5	6	6	6	6	7	7	7	7	8	8	8	
N	6	6	6	6	8	8	8	8	10	10	10	10	12	12	12	12	14	14	14	14	16	16	16	16	18	18	18	18	20	20	20
Weight(Kg)*	28.8	30	31.2	32.4	33.6	34.8	36	37.2	38.4	39.6	40.8	42	43.2	44.4	45.6	46.8	48	49.2	50.4	51.6	52.8	54	55.2	56.4	59.2	59.8	60	61.2	62.4	63.6	64.8
Stroke	1600	1650	1700	1750	1800	1850	1900	1950	2000	2050	2100	2150	2200	2250	2300	2350	2400	2450	2500	2550	2600	2650	2700	2750	2800	2850	2900	2950	3000	3050	
L	2077	2127	2177	2227	2277	2327	2377	2427	2477	2527	2577	2627	2677	2727	2777	2827	2877	2927	2977	3027	3077	3127	3177	3227	3277	3327	3377	3427	3477	3527	
A	200	50	100	150	200	50	100	150	200	50	100	150	200	50	100	150	200	50	100	150	200	50	100	150	200	50	100	150	200	50	
M	8	9	9	9	9	10	10	10	10	11	11	11	11	12	12	12	12	13	13	13	13	14	14	14	14	15	15	15	15	16	
N	20	22	22	22	22	24	24	24	24	26	26	26	26	28	28	28	28	30	30	30	30	32	32	32	32	34	34	34	34	36	
Weight(Kg)*	66	67.2	68.4	69.6	70.8	72	73.2	74.4	75.6	76.8	78	79.2	80.4	81.6	82.8	84	85.2	86.4	87.6	88.8	90	91.2	92.4	93.6	94.8	96	97.2	98.4	99.6	101	

Linear Electric Actuator

Series AELB

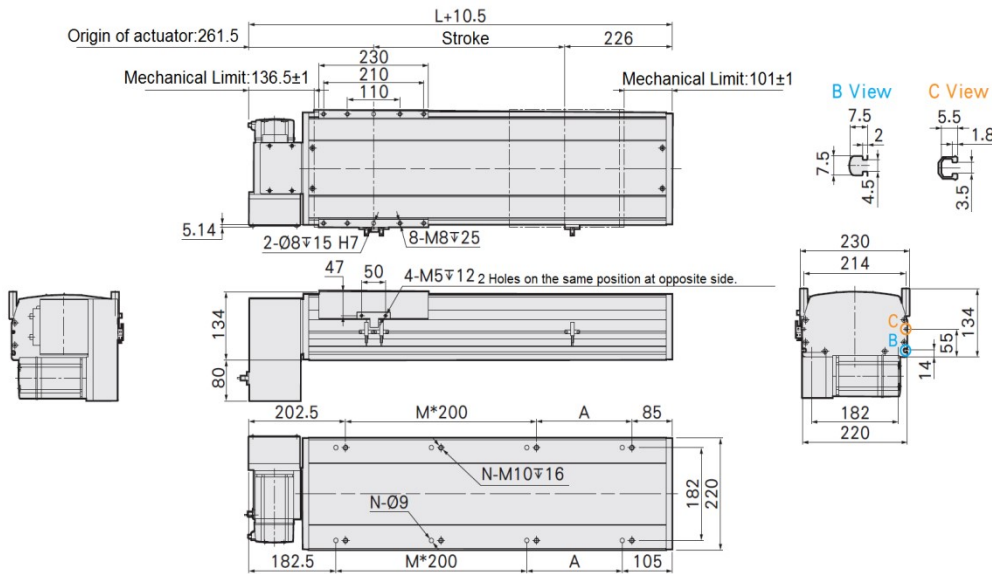
Cat :

Motor Left Lower side-Q



Stroke	50	100	150	200	250	300	350	400	450	500	550	600	650	700	750	800	850	900	950	1000	1050	1100	1150	1200	1250	1300	1350	1400	1450	1500	1550
L	527	577	627	677	727	777	827	877	927	977	1027	1077	1127	1177	1227	1277	1327	1377	1427	1477	1527	1577	1627	1677	1727	1777	1827	1877	1927	1977	2027
A	50	100	150	200	50	100	150	200	50	100	150	200	50	100	150	200	50	100	150	200	50	100	150	200	50	100	150	200	50	100	150
M	1	1	1	1	2	2	2	2	3	3	3	3	4	4	4	4	5	5	5	5	6	6	6	6	7	7	7	7	8	8	8
N	6	6	6	6	8	8	8	8	10	10	10	10	12	12	12	12	14	14	14	14	16	16	16	16	18	18	18	18	20	20	20
Weight(Kg)*	28.8	30	31.2	32.4	33.6	34.8	36	37.2	38.4	39.6	40.8	42	43.2	44.4	45.6	46.8	48	49.2	50.4	51.6	52.8	54	55.2	56.4	59.2	59.8	60	61.2	62.4	63.6	64.8
Stroke	1600	1650	1700	1750	1800	1850	1900	1950	2000	2050	2100	2150	2200	2250	2300	2350	2400	2450	2500	2550	2600	2650	2700	2750	2800	2850	2900	2950	3000	3050	
L	2077	2127	2177	2227	2277	2327	2377	2427	2477	2527	2577	2627	2677	2727	2777	2827	2877	2927	2977	3027	3077	3127	3177	3227	3277	3327	3377	3427	3477	3527	
A	200	50	100	150	200	50	100	150	200	50	100	150	200	50	100	150	200	50	100	150	200	50	100	150	200	50	100	150	200	50	
M	8	9	9	9	9	10	10	10	10	11	11	11	11	12	12	12	12	13	13	13	13	13	14	14	14	14	15	15	15	16	
N	20	22	22	22	22	24	24	24	24	26	26	26	26	28	28	28	28	30	30	30	30	30	32	32	32	32	34	34	34	36	
Weight(Kg)*	66	67.2	68.4	69.6	70.8	72	73.2	74.4	75.6	76.8	78	79.2	80.4	81.6	82.8	84	85.2	86.4	87.6	88.8	90	91.2	92.4	93.6	94.8	96	97.2	98.4	99.6	101	

Motor Right Lower side-Y



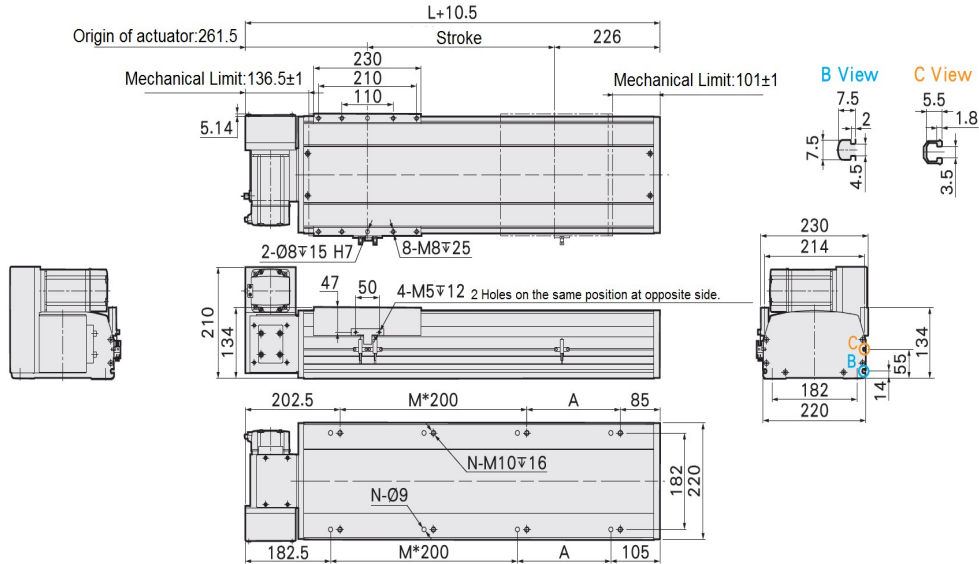
Stroke	50	100	150	200	250	300	350	400	450	500	550	600	650	700	750	800	850	900	950	1000	1050	1100	1150	1200	1250	1300	1350	1400	1450	1500	1550
L	527	577	627	677	727	777	827	877	927	977	1027	1077	1127	1177	1227	1277	1327	1377	1427	1477	1527	1577	1627	1677	1727	1777	1827	1877	1927	1977	2027
A	50	100	150	200	50	100	150	200	50	100	150	200	50	100	150	200	50	100	150	200	50	100	150	200	50	100	150	200	50	100	150
M	1	1	1	1	2	2	2	2	3	3	3	3	4	4	4	4	5	5	5	5	6	6	6	6	7	7	7	7	8	8	8
N	6	6	6	6	8	8	8	8	10	10	10	10	12	12	12	12	14	14	14	14	16	16	16	16	18	18	18	18	20	20	20
Weight(Kg)*	28.8	30	31.2	32.4	33.6	34.8	36	37.2	38.4	39.6	40.8	42	43.2	44.4	45.6	46.8	48	49.2	50.4	51.6	52.8	54	55.2	56.4	59.2	59.8	60	61.2	62.4	63.6	64.8
Stroke	1600	1650	1700	1750	1800	1850	1900	1950	2000	2050	2100	2150	2200	2250	2300	2350	2400	2450	2500	2550	2600	2650	2700	2750	2800	2850	2900	2950	3000	3050	
L	2077	2127	2177	2227	2277	2327	2377	2427	2477	2527	2577	2627	2677	2727	2777	2827	2877	2927	2977	3027	3077	3127	3177	3227	3277	3327	3377	3427	3477	3527	
A	200	50	100	150	200	50	100	150	200	50	100	150	200	50	100	150	200	50	100	150	200	50	100	150	200	50	100	150	200	50	
M	8	9	9	9	9	10	10	10	10	11	11	11	11	12	12	12	12	13	13	13	13	13	14	14	14	14	15	15	15	16	
N	20	22	22	22	22	24	24	24	24	26	26	26	26	28	28	28	28	30	30	30	30	30	32	32	32	32	34	34	34	36	
Weight(Kg)*	66	67.2	68.4	69.6	70.8	72	73.2	74.4	75.6	76.8	78	79.2	80.4	81.6	82.8	84	85.2	86.4	87.6	88.8	90	91.2	92.4	93.6	94.8	96	97.2	98.4	99.6	101	

Linear Electric Actuator

Series AELB

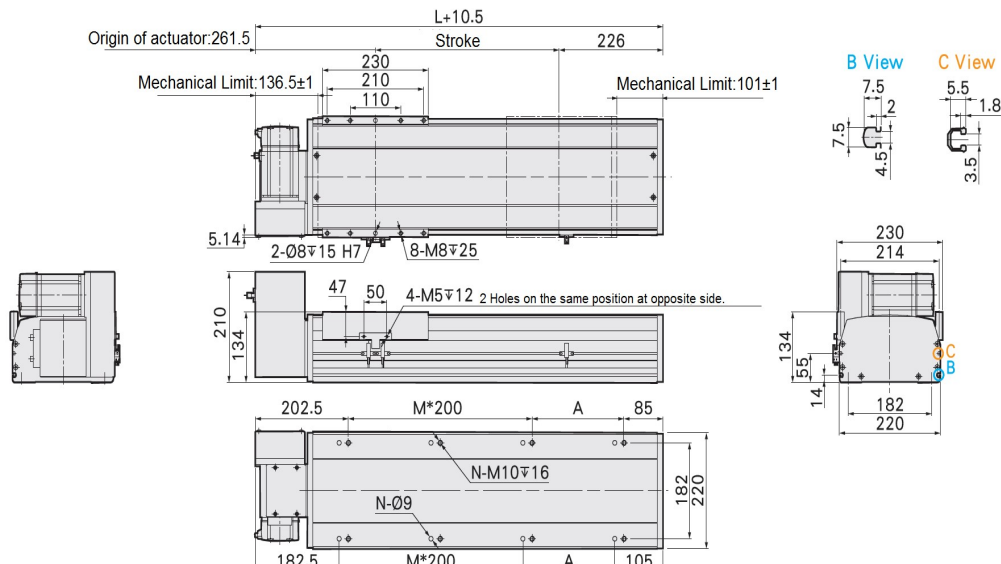
Cat :

Motor Left Upper side-P



Stroke	50	100	150	200	250	300	350	400	450	500	550	600	650	700	750	800	850	900	950	1000	1050	1100	1150	1200	1250	1300	1350	1400	1450	1500	1550
L	527	577	627	677	727	777	827	877	927	977	1027	1077	1127	1177	1227	1277	1327	1377	1427	1477	1527	1577	1627	1677	1727	1777	1827	1877	1927	1977	2027
A	50	100	150	200	50	100	150	200	50	100	150	200	50	100	150	200	50	100	150	200	50	100	150	200	50	100	150	200	50	100	150
M	1	1	1	1	2	2	2	2	3	3	3	3	4	4	4	4	5	5	5	5	6	6	6	6	7	7	7	7	8	8	8
N	6	6	6	6	8	8	8	8	10	10	10	10	12	12	12	12	14	14	14	14	16	16	16	16	18	18	18	18	20	20	20
Weight(Kg)*	28.8	30	31.2	32.4	33.6	34.8	36	37.2	38.4	39.6	40.8	42	43.2	44.4	45.6	46.8	48	49.2	50.4	51.6	52.8	54	55.2	56.4	59.2	59.8	60	61.2	62.4	63.6	64.8
Stroke	1600	1650	1700	1750	1800	1850	1900	1950	2000	2050	2100	2150	2200	2250	2300	2350	2400	2450	2500	2550	2600	2650	2700	2750	2800	2850	2900	2950	3000	3050	
L	2077	2127	2177	2227	2277	2327	2377	2427	2477	2527	2577	2627	2677	2727	2777	2827	2877	2927	2977	3027	3077	3127	3177	3227	3277	3327	3377	3427	3477	3527	
A	200	50	100	150	200	50	100	150	200	50	100	150	200	50	100	150	200	50	100	150	200	50	100	150	200	50	100	150	200	50	
M	8	9	9	9	9	10	10	10	10	10	11	11	11	12	12	12	12	13	13	13	13	14	14	14	14	15	15	15	15	16	
N	20	22	22	22	22	24	24	24	24	26	26	26	26	28	28	28	28	30	30	30	30	32	32	32	32	34	34	34	34	36	
Weight(Kg)*	66	67.2	68.4	69.6	70.8	72	73.2	74.4	75.6	76.8	78	79.2	80.4	81.6	82.8	84	85.2	86.4	87.6	88.8	90	91.2	92.4	93.6	94.8	96	97.2	98.4	99.6	101	

Motor Right Upper side-X



Stroke	50	100	150	200	250	300	350	400	450	500	550	600	650	700	750	800	850	900	950	1000	1050	1100	1150	1200	1250	1300	1350	1400	1450	1500	1550
L	527	577	627	677	727	777	827	877	927	977	1027	1077	1127	1177	1227	1277	1327	1377	1427	1477	1527	1577	1627	1677	1727	1777	1827	1877	1927	1977	2027
A	50	100	150	200	50	100	150	200	50	100	150	200	50	100	150	200	50	100	150	200	50	100	150	200	50	100	150	200	50	100	150
M	1	1	1	1	2	2	2	2	3	3	3	3	4	4	4	4	5	5	5	5	6	6	6	6	7	7	7	7	8	8	8
N	6	6	6	6	8	8	8	8	10	10	10	10	12	12	12	12	14	14	14	14	16	16	16	16	18	18	18	18	20	20	20
Weight(Kg)*	28.8	30	31.2	32.4	33.6	34.8	36	37.2	38.4	39.6	40.8	42	43.2	44.4	45.6	46.8	48	49.2	50.4	51.6	52.8	54	55.2	56.4	59.2	59.8	60	61.2	62.4	63.6	64.8
Stroke	1600	1650	1700	1750	1800	1850	1900	1950	2000	2050	2100	2150	2200	2250	2300	2350	2400	2450	2500	2550	2600	2650	2700	2750	2800	2850	2900	2950	3000	3050	
L	2077	2127	2177	2227	2277	2327	2377	2427	2477	2527	2577	2627	2677	2727	2777	2827	2877	2927	2977	3027	3077	3127	3177	3227	3277	3327	3377	3427	3477	3527	
A	200	50	100	150	200	50	100	150	200	50	100	150	200	50	100	150	200	50	100	150	200	50	100	150	200	50	100	150	200	50	
M	8	9	9	9	9	10	10	10	10	10	11	11	11	12	12	12	12	13	13	13	13	14	14	14	14	15	15	15	15	16	
N	20	22	22	22	22	24	24	24	24	26	26	26	26	28	28	28	28	30	30	30	30	32	32	32	32	34	34	34	34	36	
Weight(Kg)*	66	67.2	68.4	69.6	70.8	72	73.2	74.4	75.6	76.8	78	79.2	80.4	81.6	82.8	84	85.2	86.4	87.6	88.8	90	91.2	92.4	93.6	94.8	96	97.2	98.4	99.6	101	

Linear Electric Actuator

Series AELB

Cat :

How to order

AELB220

	Lead	Stroke	Motor Position	Motor Specification	Motor Power
	40 40mm	0050-3500mm	L Left Side R Right Side P Left Upper Q Left Lower X Right Upper Y Right Lower	AC Servo D Delta Y Yaskawa M Mitsubishi P Panasonic V INVT T Others	AC Servo E 750W
	Brake	Encoder Type	Communication Type	Motor & Encoder Cable	I/O Cable
	Without Brake B With Brake	Incremental A Absolute	Basic Type C0 Modbus C1 CAN Open C2 Ether CAT C3 PROFINET C4 PROFIBUS C5 Ethernet/IP C6 Other Protocol -1 C7 Other Protocol -2 C8 Own Protocol -1* C9 Own Protocol -2*	1 1m 3 3m 5 5m T 10m	N Without Cable (Stand.) 1 1m A 1.5m 2 2m

Note : * Based on Motor make

	Customization Order no
XXXX	Special Requirements

Example :1

Ordering no. for Rodless belt drive electric actuator 220mm size,40mm belt lead,150 mm stroke with Delta 750W servo motor mounted at the left side, with 3m Motor cable.

AELB220400150L-DE-3N

Example :2

Ordering no. for Rodless belt drive electric actuator 220mm size,40mm belt lead,150 mm stroke without Delta 750W servo motor mounted at the left side.

AELB220400150L-DE

Linear Electric Actuator

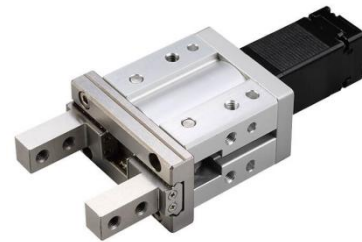
Series AEGL

Cat :

Electric Gripper - Lead Screw Drive

Features

- Compact Size
- Equipped with closed-loop stepping motor
- Smoother movement
- Three different control interface



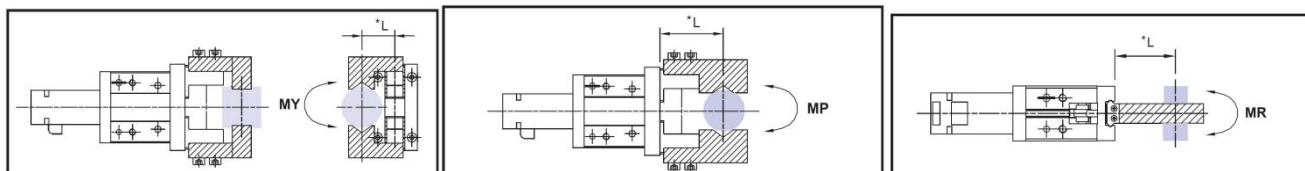
Technical Specifications

Stroke (mm)	10	14
Weight (Kg)	0.98	
Gripping force (N)	22 to 98 (20-100%)	
Open/close speed (mm/s)*	5 to 50	
Position repeatability (mm)	±0.02	
Guide structure	Linear guide	
Operating temperature range (°C)	0° to 40°C	
Operating humidity range (%)	RH90	
Motor dimension (mm)	25□	
Weight (g)**	368	552

*Total stroke of both sides

** Weight included with motor

Allowable Moment



* L: Distance to the loading location

Maximum Moment

(Unit - Nm)

Series	AEGL0010	AEGL0014
Allowable Yawing Moment MY	1.32	1.94
Allowable Pitching Moment MP	1.32	1.94
Allowable Rolling Moment MR	2.65	3.88

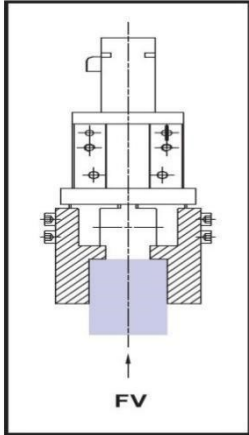
* The value in the chart is static, not dynamic loading and torque

Linear Electric Actuator


Series AEGL

Cat :

Maximum Vertical Force

Series	AEGL0010	AEGL0014
Outer view		
Vertical maximum force FV (N)	147	255

Controller Details

Controller	Controller model	Controller mode	Features	Electrical specification
	JC100	IO control mode	By IO Control,max.127 position points, can be executed.	The voltage of control circuit is 24V. Operating voltage DC24V, rated current 2A,peak current 3A. Operating voltage DC48V, rated current 1A,peak current 2A.
		Communication control mode	Use mod bus as the interface of RS485(Connect max.16 controllers) and 1 set mini USB	When the voltage is DC48V but same torque, the rotation speed will be raised.

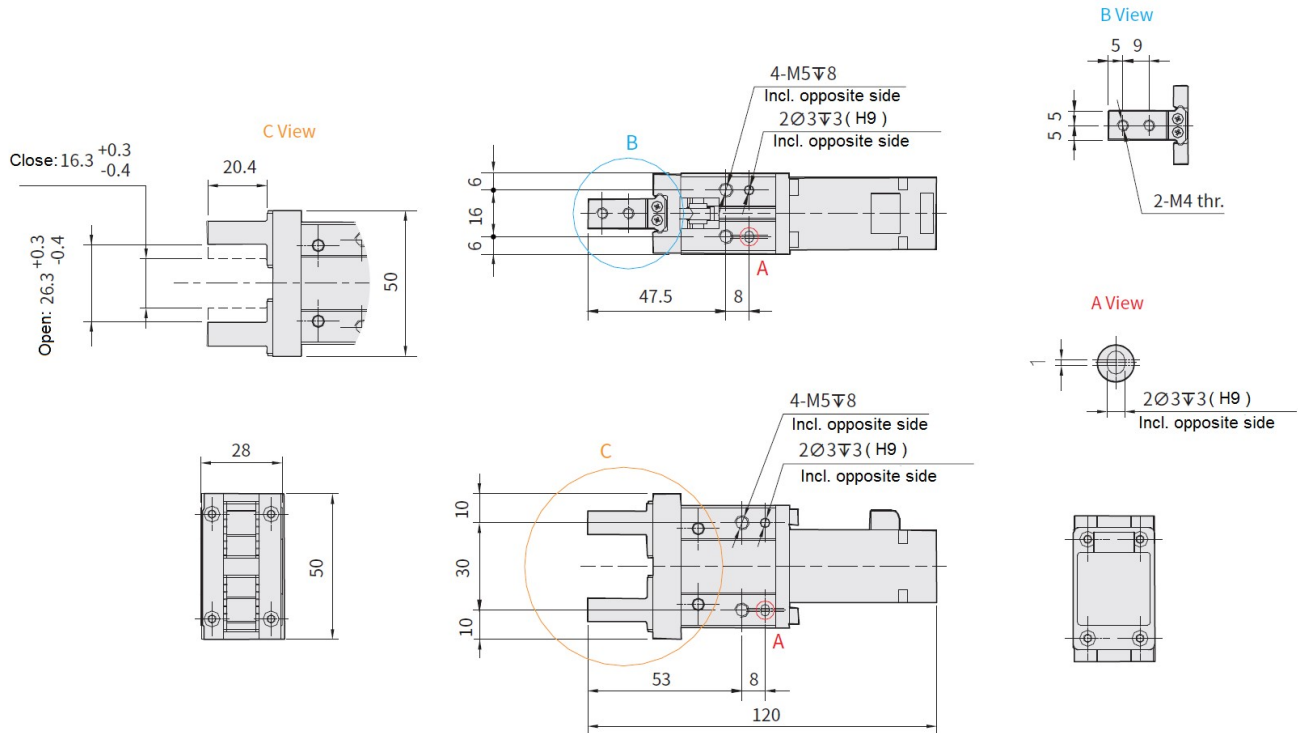
Linear Electric Actuator

Series AEGL

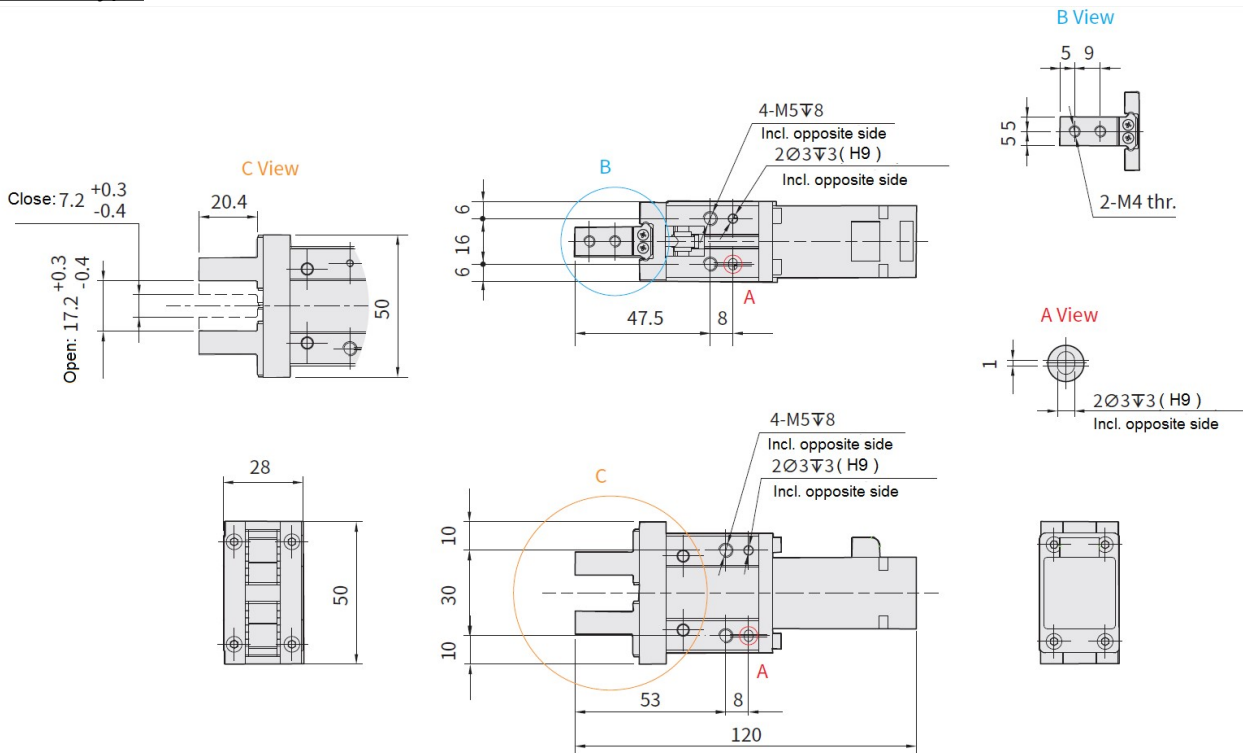
Cat :

AEGL0010 :

Standard Type



Narrow Type



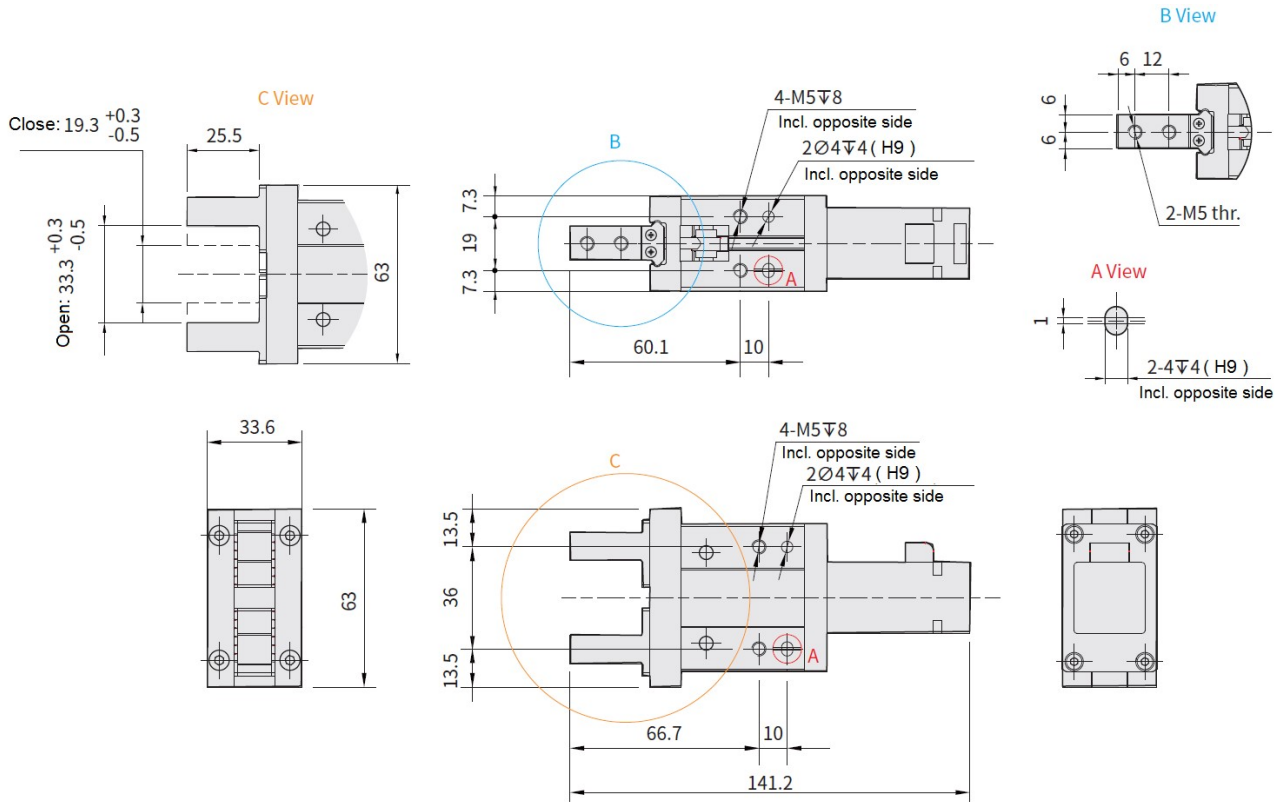
Linear Electric Actuator

Series AEGL

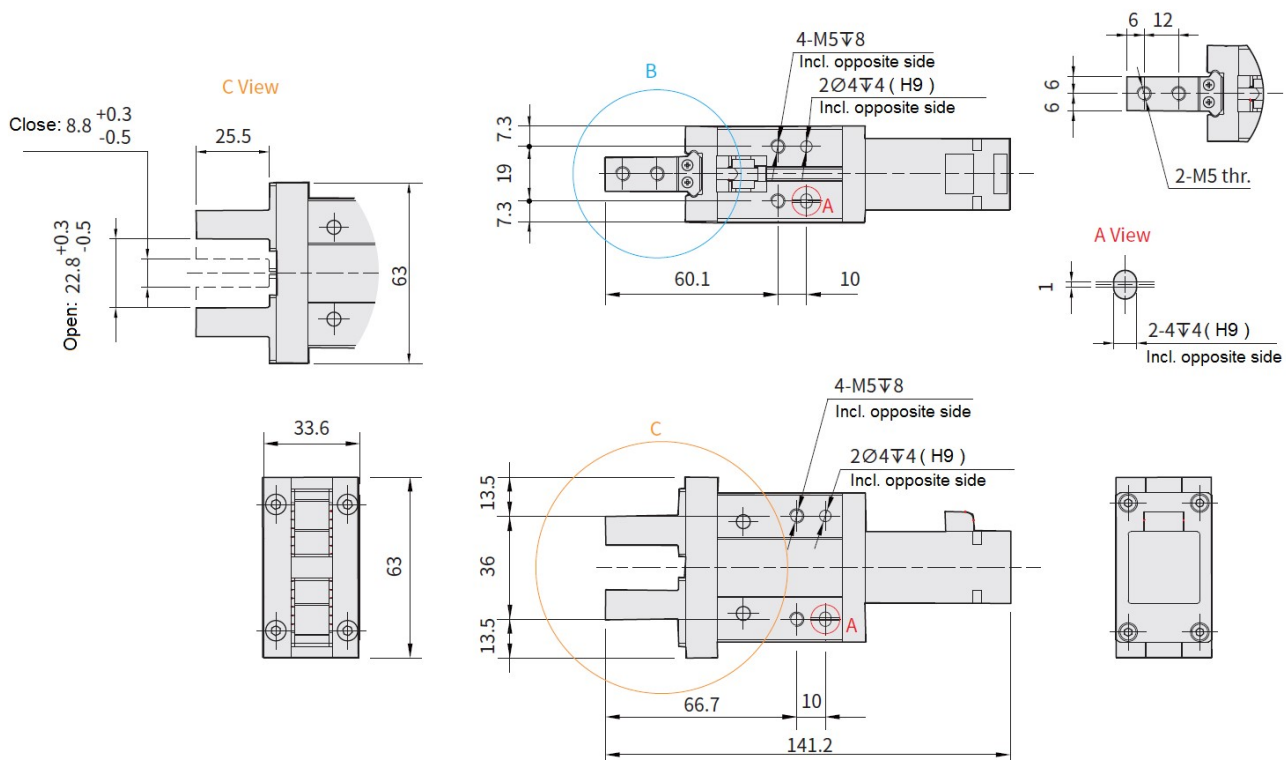
Cat :

AEGL0014:

Standard Type



Narrow Type



Linear Electric Actuator

Series AEGL

Cat :

How to order

AEGL

Stroke		Type		Motor Position		Motor Specification	
0010	10mm	S	Standard	D	Direct	Step-Servo	
0014	14mm	N	Narrow			S	Step - Servo

Motor & Encoder Cable		I/O Cable	
1	1m	A	1.5m (Standard)
3	3m		
5	5m		
T	10m		

Example:

Ordering no. for Electric gripper Lead screw type, 10mm stroke, Standard type with step-servo motor mounted at direct with 3m motor & encoder cable and 1.5m I/O cable.

AEGL0010SD-S-3A

Linear Electric Actuator

Series AVRS

Cat :

Rod Type Ball Screw Actuator - Heavy Series - 40mm

Features

- Compact Robust Design
- Highly flexible mounting
- More Precise & positioning
- Ease of positioning
- Ease of Maintenance

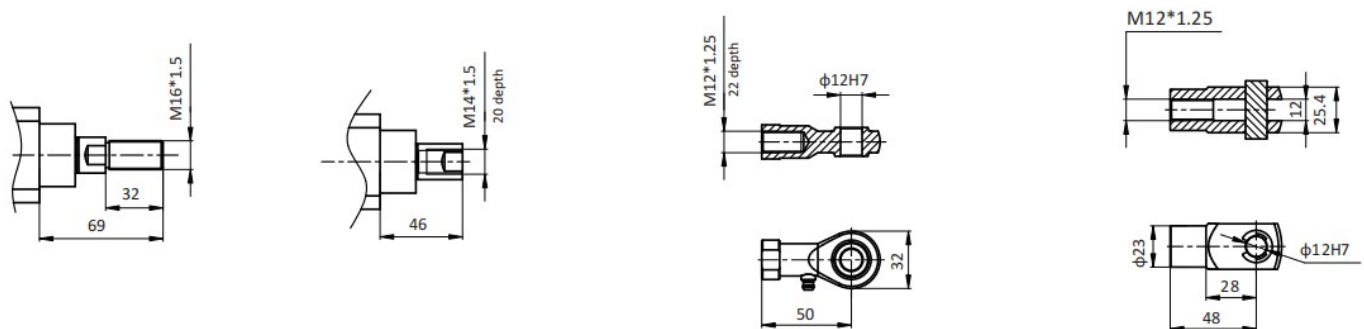


Technical Specifications

Repeatability (mm)	±0.02								
Motor Power (W)	200W						400W		
Motor Speed (RPM)	3000						3000		
Rated Torque (N.m)	0.64						1.27		
Ball Screw Lead (mm)	5		10				5		10
Maximum Speed (mm/s)*	250	125	500	250	167	125	250	500	250
Rated Thrust(N)	683	1366	342	684	1026	1386	1360	680	1360
Gear Ratio	1:1	2:1	1:1	2:1	3:1	4:1	1:1	1:1	2:1
Stroke (mm)	50-600mm								
Ball screw Ø (mm)	C7 Ø 10								
Home Sensor	Outside		AM42 Reed Switch						

*Acceleration and deceleration value is set 0.2sec

Front End Connection:



Male

Female

Rod end Spherical eye

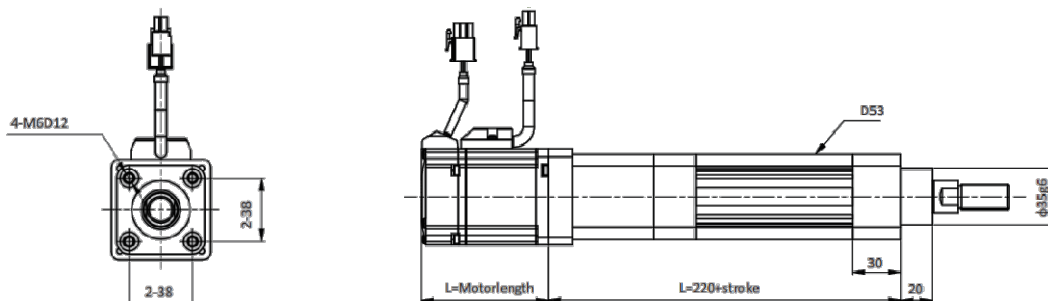
Rod end Fork

Linear Electric Actuator

Series AVRS

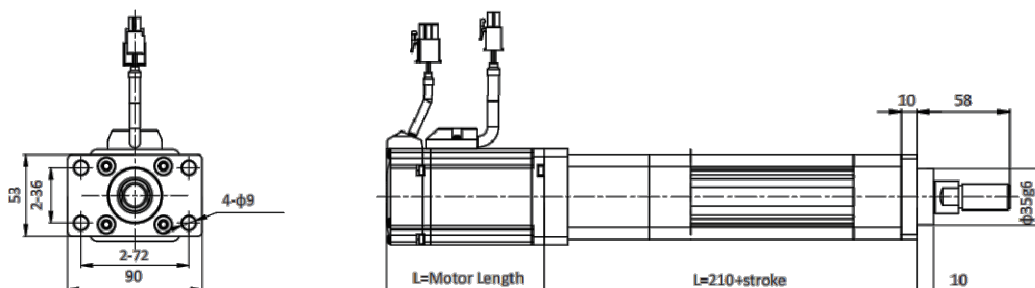
Cat :

Direct Front Installation:



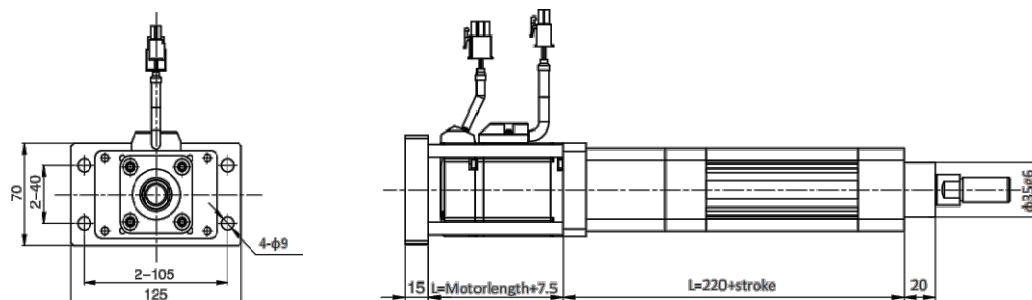
Stroke(mm)	50	100	150	200	250	300	350	400	450	500	550	600
Weight(Kg)	2.62	2.87	3.12	3.37	3.62	3.87	4.12	4.37	4.62	4.87	5.12	5.37

Direct Front Flange Installation :



Stroke(mm)	50	100	150	200	250	300	350	400	450	500	550	600
Weight(Kg)	2.59	2.84	3.09	3.34	3.59	3.84	4.09	4.34	4.59	4.84	5.09	5.34

Direct Rear Flange Installation :



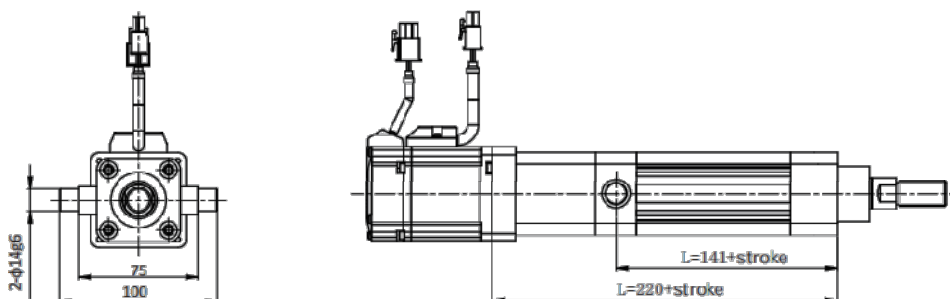
Stroke(mm)	50	100	150	200	250	300	350	400	450	500	550	600
Weight(Kg)	3.17	3.42	3.67	3.92	4.17	4.42	4.67	4.92	5.17	5.42	5.67	5.94

Linear Electric Actuator

Series AVRS

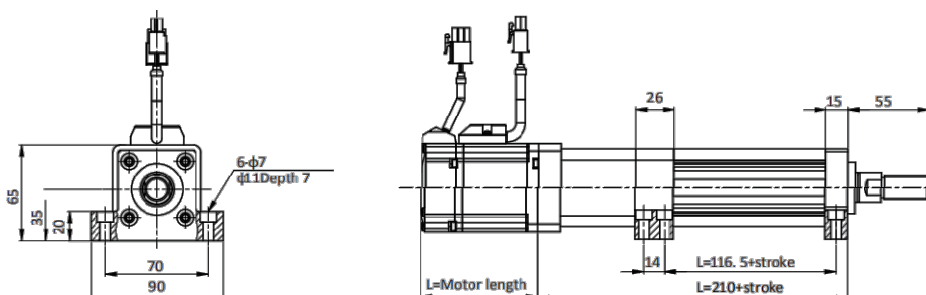
Cat :

Direct Trunnion Installation:



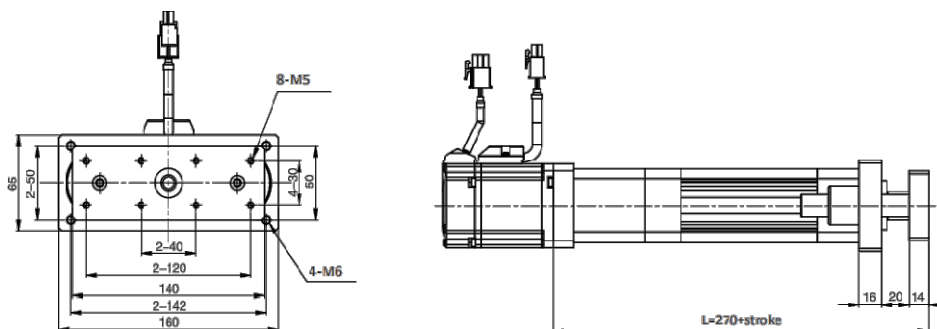
Stroke(mm)	50	100	150	200	250	300	350	400	450	500	550	600
Weight(Kg)	2.65	2.9	3.15	3.4	3.65	3.9	4.15	4.4	4.65	4.9	5.15	5.4

Direct Side Installation:



Stroke(mm)	50	100	150	200	250	300	350	400	450	500	550	600
Weight(Kg)	2.63	2.88	3.13	3.38	3.63	3.88	4.13	4.38	4.63	4.88	5.13	5.38

Direct Front Guide Installation:



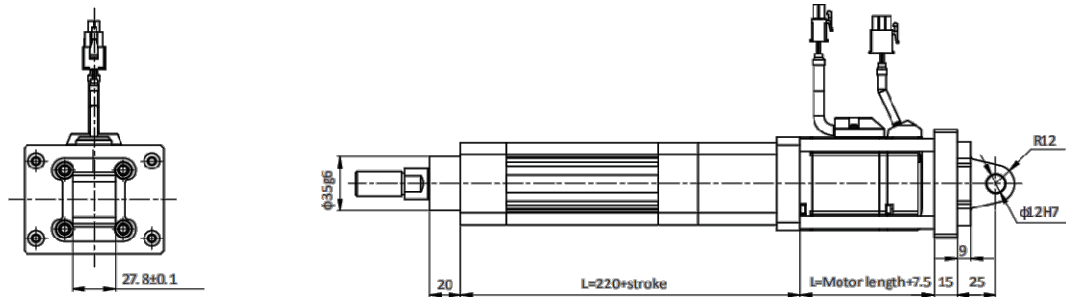
Stroke(mm)	50	100	150	200	250	300	350	400	450	500	550	600
Weight(Kg)	3.84	4.24	4.64	5.04	5.44	5.84	6.24	6.64	7.04	7.44	7.84	8.24

Linear Electric Actuator

Series AVRS

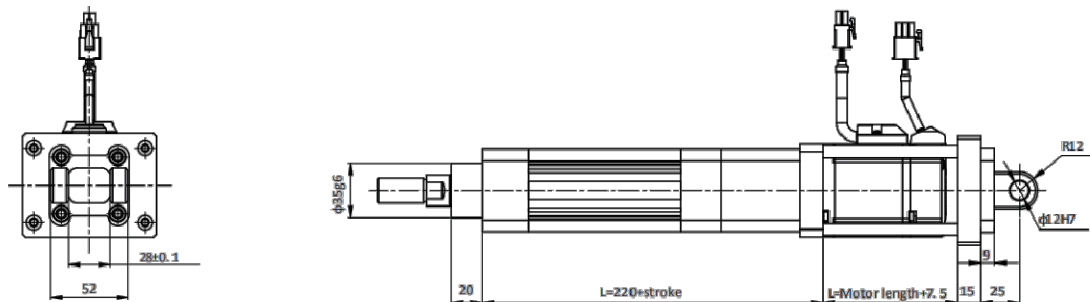
Cat :

Direct Male Clevis Installation:



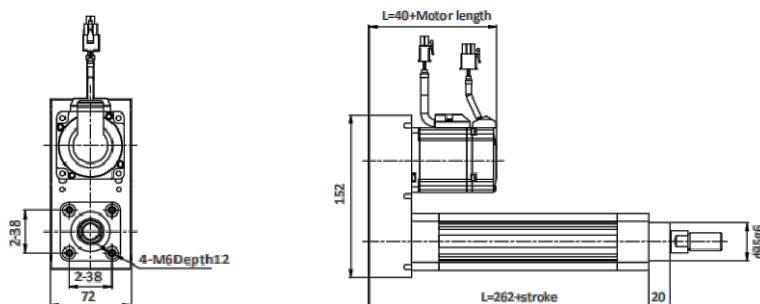
Stroke(mm)	50	100	150	200	250	300	350	400	450	500	550	600
Weight(Kg)	3.29	3.54	3.79	4.04	4.29	4.54	4.79	5.04	5.29	5.54	5.79	6.04

Direct Female Clevis Installation:



Stroke(mm)	50	100	150	200	250	300	350	400	450	500	550	600
Weight(Kg)	3.26	3.51	3.76	4.01	4.26	4.51	4.76	5.01	5.26	5.51	5.76	6.01

Transition Front Installation:



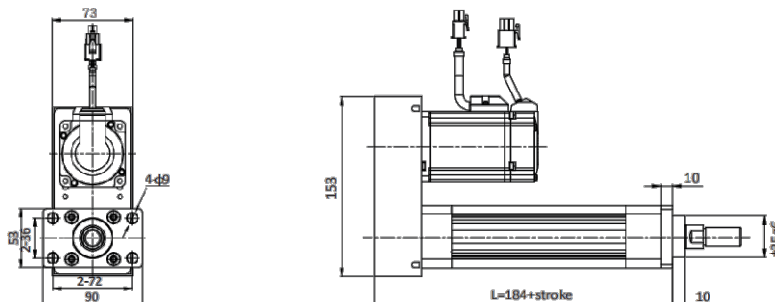
Stroke(mm)	50	100	150	200	250	300	350	400	450	500	550	600
Weight(Kg)	2.74	2.99	3.24	3.49	3.74	3.99	4.24	4.49	4.74	4.99	5.24	5.49

Linear Electric Actuator

Series AVRS

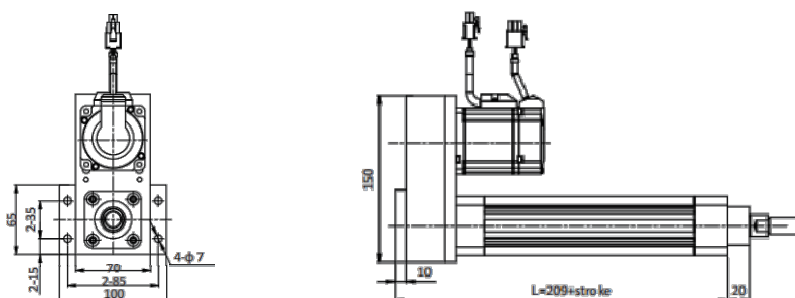
Cat :

Transition Front Flange Installation:



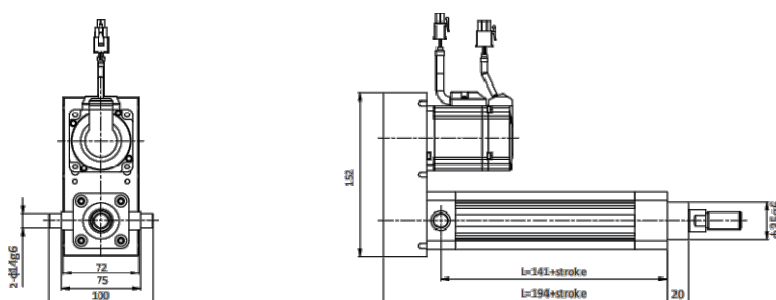
Stroke(mm)	50	100	150	200	250	300	350	400	450	500	550	600
Weight(Kg)	3.05	3.3	3.55	3.8	4.05	4.3	4.55	4.8	5.05	5.3	5.55	5.8

Transition Rear Flange Installation:



Stroke(mm)	50	100	150	200	250	300	350	400	450	500	550	600
Weight(Kg)	3.05	3.3	3.55	3.8	4.05	4.3	4.55	4.8	5.05	5.3	5.55	5.8

Transition Trunnion Installation:



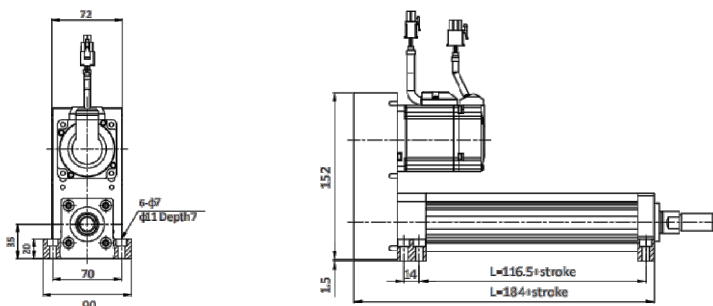
Stroke(mm)	50	100	150	200	250	300	350	400	450	500	550	600
Weight(Kg)	2.77	3.02	3.27	3.52	3.77	4.02	4.27	4.52	4.77	5.02	5.27	5.52

Linear Electric Actuator

Series AVRS

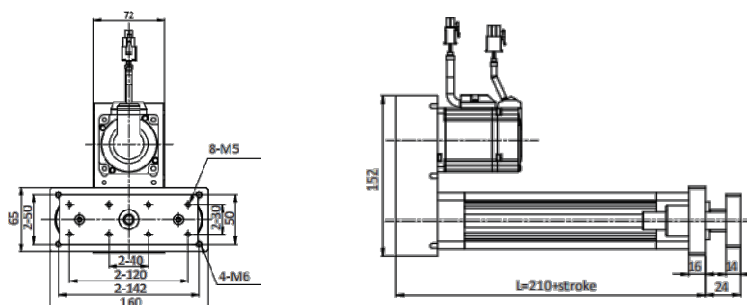
Cat :

Transition Side Installation:



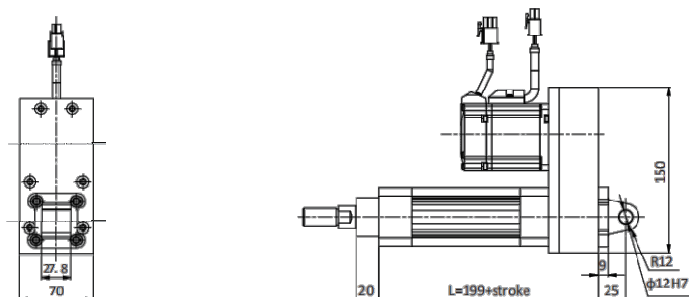
Stroke(mm)	50	100	150	200	250	300	350	400	450	500	550	600
Weight(Kg)	2.75	3	3.25	3.5	3.75	4	4.25	4.5	4.75	5	5.25	5.5

Transition Front Guide Installation:



Stroke(mm)	50	100	150	200	250	300	350	400	450	500	550	600
Weight(Kg)	3.96	4.36	4.76	5.16	5.56	5.96	6.36	6.76	7.16	7.56	7.96	8.36

Transition Male Clevis Installation:



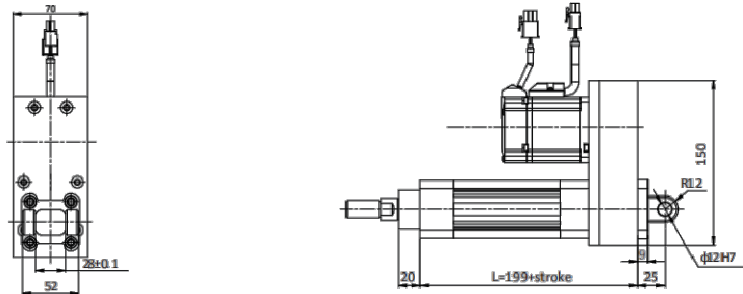
Stroke(mm)	50	100	150	200	250	300	350	400	450	500	550	600
Weight(Kg)	3.2	3.45	3.7	3.95	4.2	4.45	4.7	4.95	5.2	5.45	5.7	5.95

Linear Electric Actuator

Series AVRS

Cat :

Transition Female Clevis Installation:



Stroke(mm)	50	100	150	200	250	300	350	400	450	500	550	600
Weight(Kg)	3.17	3.42	3.67	3.92	4.17	4.42	4.67	4.92	5.17	5.42	5.67	5.92

Linear Electric Actuator

Series AVRS

Cat :

How to order

AVRS040

Lead	
05	5mm
10	10mm

Stroke	
0050-600mm	

Motor Position	
D	Direct
L	Left Side
R	Right Side
B	Bottom Side

Motor Make	
Servo	
D	Delta
Y	Yaskawa
M	Mitsubishi
P	Panasonic
V	INVT
T	Others

Motor Power	
Servo	
C	200W
D	400W

Brake	
Without Brake	
B	With Brake

Gear Specification	
	Without Gear Box
P02 to P50	Planetary Gear Box*

Encoder Type	
	Incremental
A	Absolute

Communication Type	
	Basic Type
C0	Modbus
C1	CAN Open
C2	Ether CAT
C3	PROFINET
C4	PROFIBUS
C5	Ethernet/IP
C6	Other Protocol -1
C7	Other Protocol -2
C8	Own Protocol -1*
C9	Own Protocol -2*

Motor & Encoder Cable	
1	1m
3	3m
5	5m
T	10m

I/O Cable	
N	Without Cable (Standard)
1	1m
A	1.5m
2	2m

Piston Rod Thread Type	
	Male Thread
F	Female Thread
S	Rod end Spherical eye
R	Rod end Fork

Note :

P	Gear Reduction
S	Over Drive

Note : * Based on Motor make

Actuator Mounting Portion	
Front Installation	
1	Front Flange Installation
2	Rear Flange Installation
3	Trunnion Installation
4	Side Installation
5	Front Guide Installation
6	Male Clevis Installation
7	Female Clevis Installation

Customization Order no	
XXXX	Special Requirements

Example:1

Order no. for Rod type ball screw electric actuator VDMA 40mm size, 10mm Lead, 500mm stroke with Delta 400W servo motor mounted at the motor Direct, with 3m Motor & Encoder cable.

AVRS040100500D-DD-3N

Example:2

Order no. for Rod type ball screw electric actuator VDMA 40mm size, 10mm Lead, 500mm stroke without Delta 400W servo motor mounted at the motor Direct.

AVRS040100500D-DD

Linear Electric Actuator

Series AVRS

Cat :

Rod Type Ball Screw Actuator - Heavy Series - 50mm

Features

- Compact Robust Design
- Highly flexible mounting
- More Precise & positioning
- Ease of positioning
- Ease of Maintenance

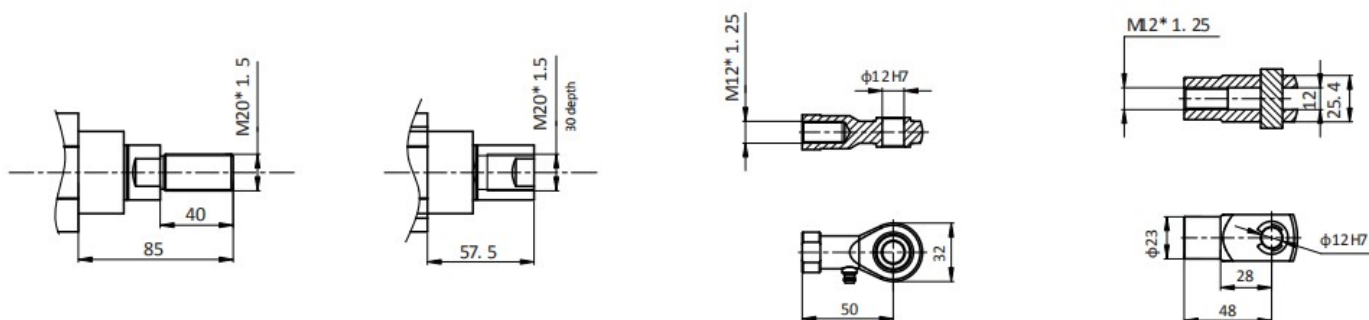


Technical Specifications

Repeatability (mm)	±0.02										
Motor Power (W)	400W					750W			1000W	1000W	
Rated Torque (N.m)	1.27					2.4			3.18	4.77	
Motor Speed (RPM)	3000					3000			3000	2000	
Ball Screw Lead (mm)	5		10				5	10		10	10
Maximum Speed (mm/s)*	250	125	500	250	167	125	250	500	250	500	333
Rated Thrust (N)	1360	2720	680	1360	2040	2720	2562	1281	2562	1697	2546
Gear Ratio	1:1	2:1	1:1	2:1	3:1	4:1	1:1	1:1	2:1	1:1	1:1
Stroke (mm)	50-1000mm										
Ball Screw Diameter (mm)	C7 Ø 16										
Home Sensor	Outside	AM42 Reed Switch									

*Acceleration and deceleration value is set 0.2sec

Front End Connection:



Male

Female

Rod end Spherical eye

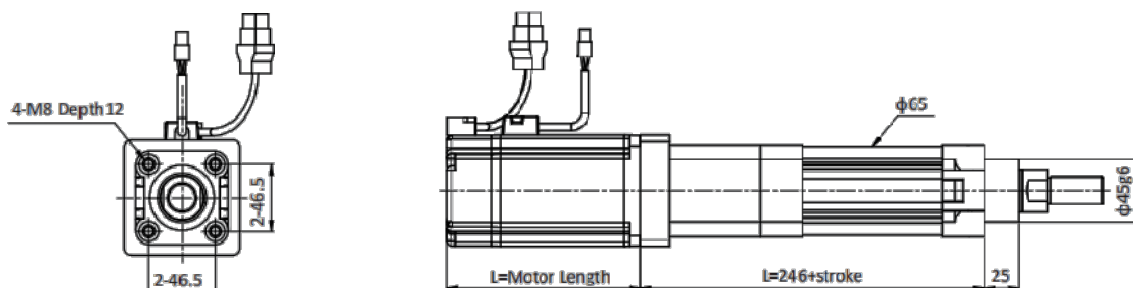
Rod end Fork

Linear Electric Actuator

Series AVRS

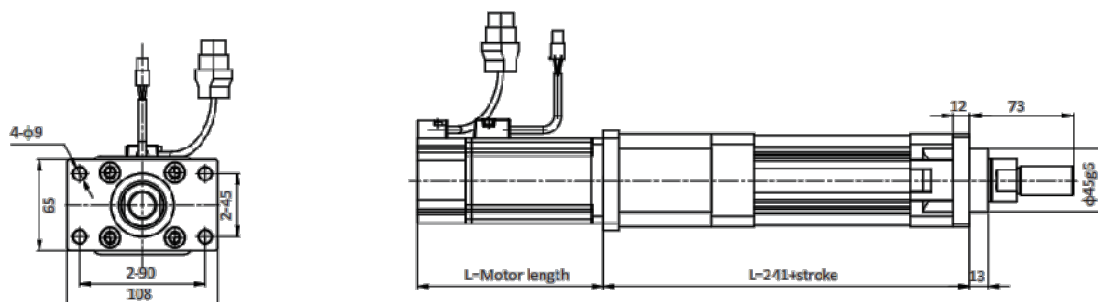
Cat :

Direct Front Installation:



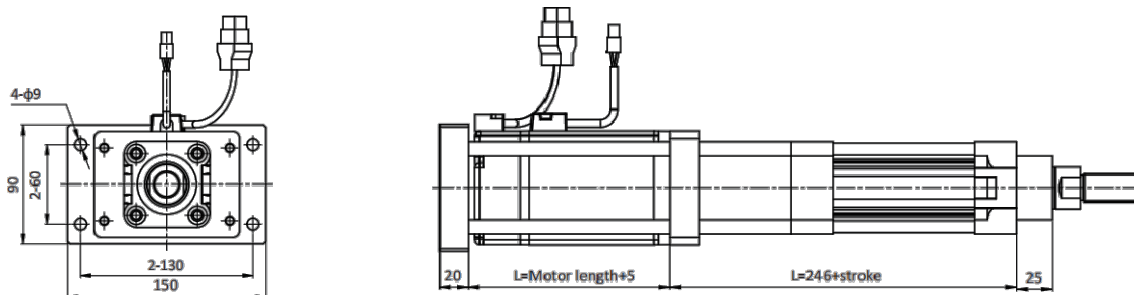
Stroke(mm)	50	100	150	200	250	300	350	400	450	500
Weight(Kg)	4.07	4.57	5.07	5.57	6.07	6.57	7.07	7.57	8.07	8.57
Stroke(mm)	550	600	650	700	750	800	850	900	950	1000
Weight(Kg)	9.07	9.57	10.07	10.57	11.07	11.57	12.07	12.57	13.07	13.57

Direct Front Flange Installation:



Stroke(mm)	50	100	150	200	250	300	350	400	450	500
Weight(Kg)	3.95	4.45	4.95	5.45	5.95	6.45	6.95	7.45	7.95	8.45
Stroke(mm)	550	600	650	700	750	800	850	900	950	1000
Weight(Kg)	8.95	9.45	9.95	10.45	10.95	11.45	11.95	12.45	12.95	13.45

Direct Rear Flange Installation:



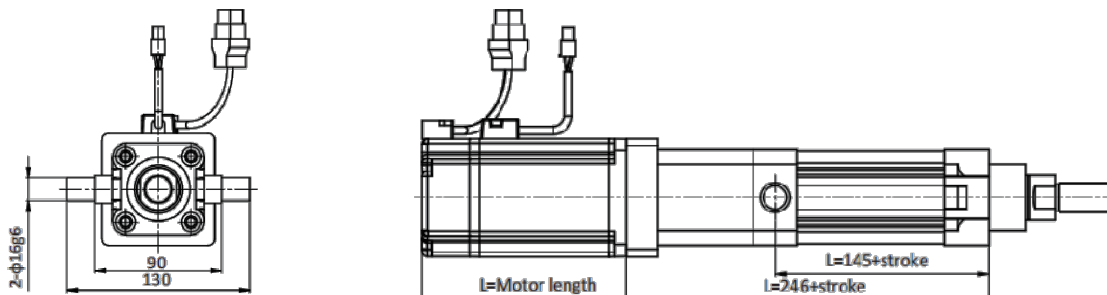
Stroke(mm)	50	100	150	200	250	300	350	400	450	500
Weight(Kg)	5.15	5.65	6.15	6.65	7.15	7.65	8.15	8.65	9.15	9.65
Stroke(mm)	550	600	650	700	750	800	850	900	950	1000
Weight(Kg)	10.15	10.65	11.15	11.65	12.15	12.65	13.15	13.65	14.15	14.65

Linear Electric Actuator

Series AVRS

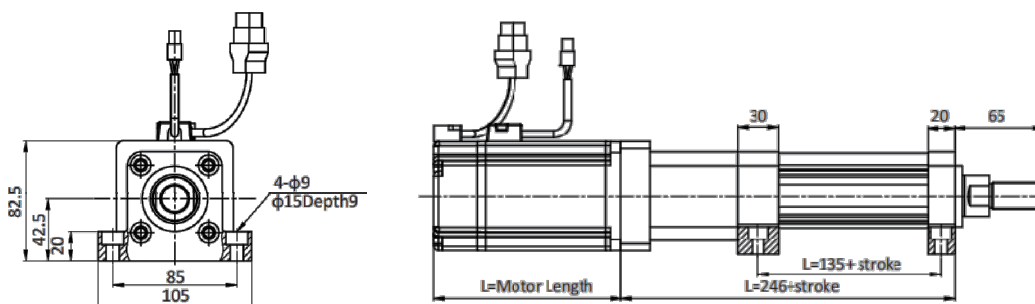
Cat :

Direct Trunnion Installation:



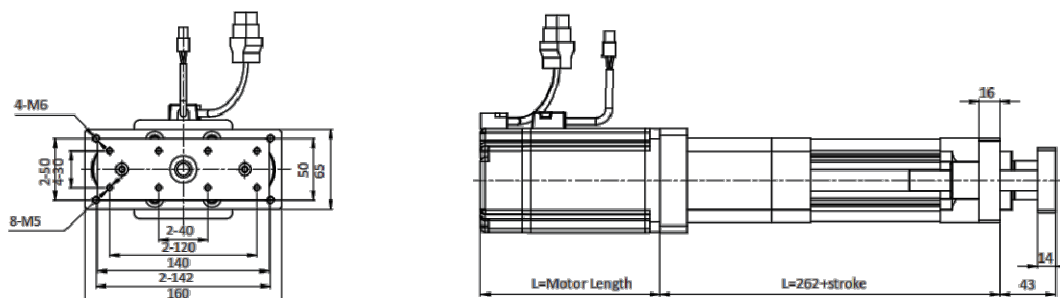
Stroke(mm)	50	100	150	200	250	300	350	400	450	500
Weight(Kg)	4.11	4.61	5.11	5.61	6.1	6.61	7.11	7.61	8.11	8.61
Stroke(mm)	550	600	650	700	750	800	850	900	950	1000
Weight(Kg)	9.11	9.61	10.11	10.61	11.11	11.61	12.11	12.61	13.11	13.61

Direct Side Installation:



Stroke(mm)	50	100	150	200	250	300	350	400	450	500
Weight(Kg)	4.15	4.65	5.15	5.65	6.15	6.65	7.15	7.65	8.15	8.65
Stroke(mm)	550	600	650	700	750	800	850	900	950	1000
Weight(Kg)	9.15	9.65	10.15	10.65	11.15	11.65	12.15	12.65	13.11	13.65

Direct Front Guide Installation:



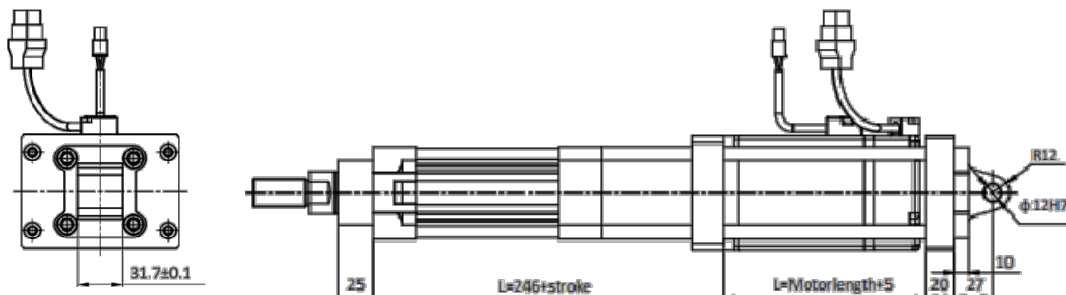
Stroke(mm)	50	100	150	200	250	300	350	400	450	500
Weight(Kg)	5.2	5.75	6.3	6.85	7.4	7.95	8.5	9.05	9.6	10.15
Stroke(mm)	550	600	650	700	750	800	850	900	950	1000
Weight(Kg)	10.7	11.25	11.8	12.35	12.9	13.45	14	14.55	15.1	15.65

Linear Electric Actuator

Series AVRS

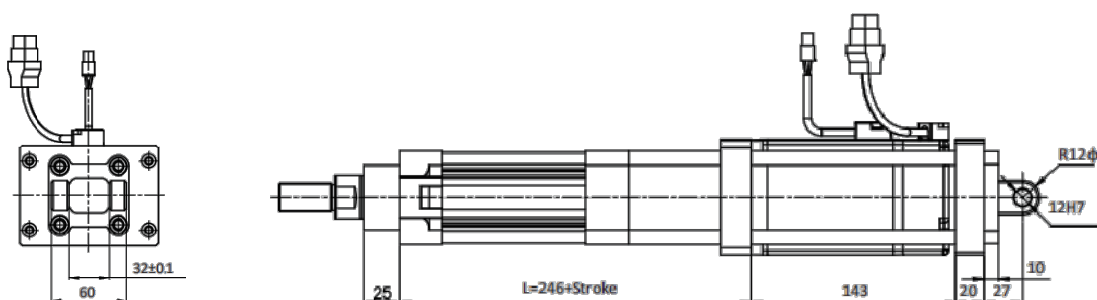
Cat :

Direct Male Clevis Installation:



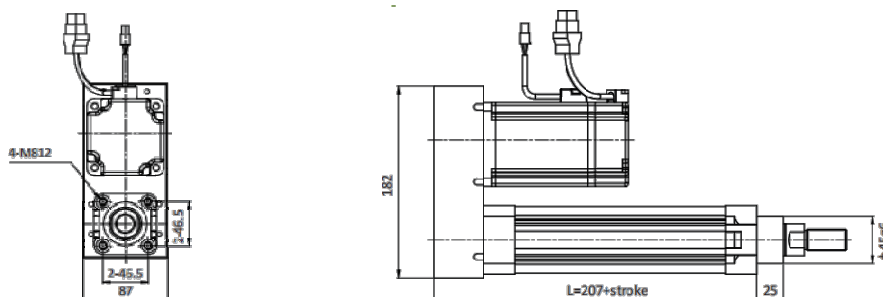
Stroke(mm)	50	100	150	200	250	300	350	400	450	500
Weight(Kg)	5.77	6.27	6.77	7.27	7.77	8.27	8.77	9.27	9.77	10.27
Stroke(mm)	550	600	650	700	750	800	850	900	950	1000
Weight(Kg)	10.77	11.27	11.77	12.27	12.77	13.27	13.77	14.27	14.77	15.27

Direct Female Clevis Installation:



Stroke(mm)	50	100	150	200	250	300	350	400	450	500
Weight(Kg)	5.73	6.23	6.73	7.23	7.73	8.23	8.73	9.23	9.73	10.23
Stroke(mm)	550	600	650	700	750	800	850	900	950	1000
Weight(Kg)	10.73	11.23	11.73	12.23	12.73	13.23	13.73	14.23	14.73	15.23

Transition Front Installation:



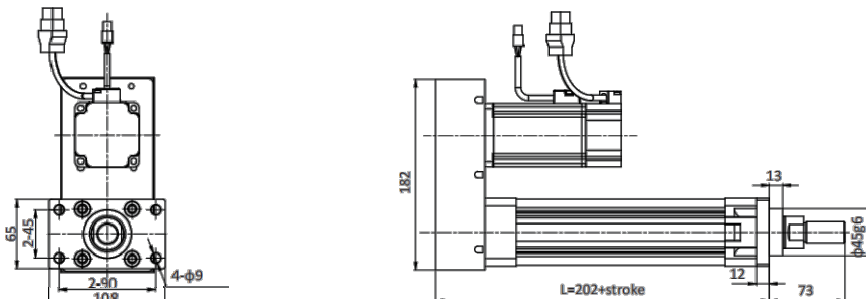
Stroke(mm)	50	100	150	200	250	300	350	400	450	500
Weight(Kg)	4.37	4.87	5.37	5.87	6.37	6.87	7.37	7.87	8.37	8.87
Stroke(mm)	550	600	650	700	750	800	850	900	950	1000
Weight(Kg)	9.37	9.87	10.37	10.87	11.37	11.87	12.37	12.87	13.37	13.87

Linear Electric Actuator

Series AVRS

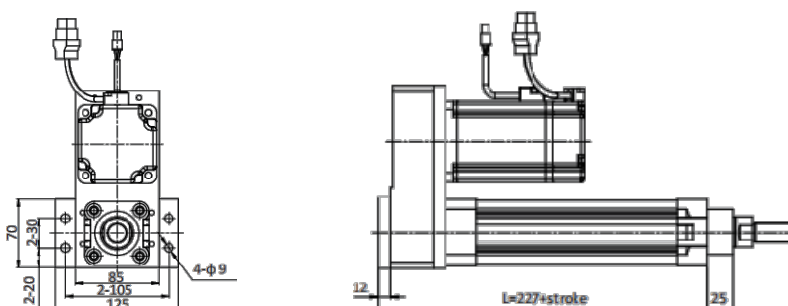
Cat :

Transition Front Flange Installation:



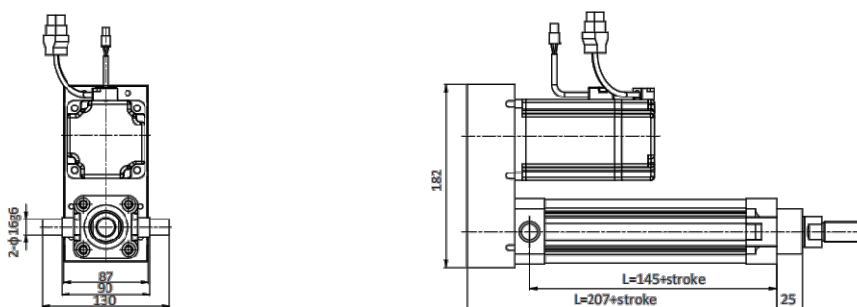
Stroke(mm)	50	100	150	200	250	300	350	400	450	500
Weight(Kg)	4.25	4.75	5.25	5.75	6.25	6.75	7.25	7.75	8.25	8.75
Stroke(mm)	550	600	650	700	750	800	850	900	950	1000
Weight(Kg)	9.25	9.75	10.25	10.75	11.25	11.75	12.25	12.75	13.25	13.75

Transition Rear Flange Installation:



Stroke(mm)	50	100	150	200	250	300	350	400	450	500
Weight(Kg)	5.04	5.54	6.04	6.54	7.04	7.54	8.04	8.54	9.04	9.54
Stroke(mm)	550	600	650	700	750	800	850	900	950	1000
Weight(Kg)	10.04	10.54	11.04	11.54	12.04	12.54	13.04	13.54	14.04	14.54

Transition Trunnion Installation:



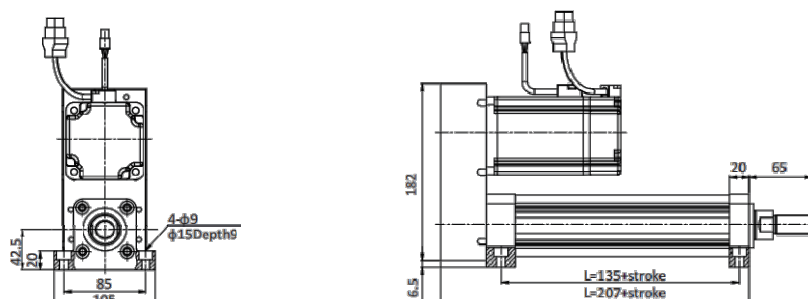
Stroke(mm)	50	100	150	200	250	300	350	400	450	500
Weight(Kg)	4.41	4.91	5.41	5.91	6.41	6.91	7.41	7.91	8.41	8.91
Stroke(mm)	550	600	650	700	750	800	850	900	950	1000
Weight(Kg)	9.41	9.91	10.41	10.91	11.41	11.91	12.41	12.91	13.41	13.91

Linear Electric Actuator

Series AVRS

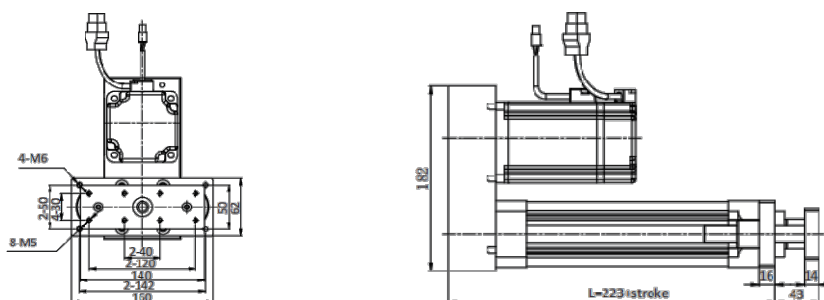
Cat :

Transition Side Installation :



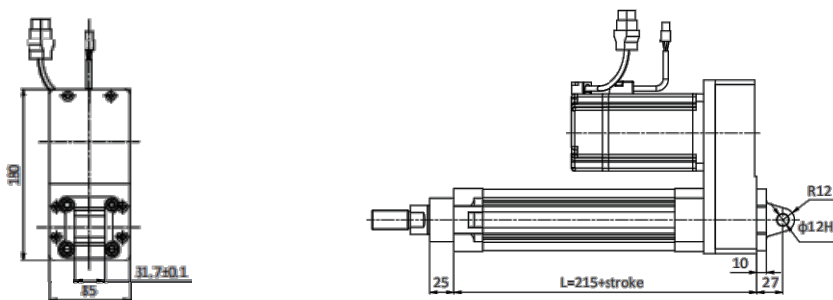
Stroke(mm)	50	100	150	200	250	300	350	400	450	500
Weight(kg)	4.45	4.95	5.45	5.95	6.45	6.95	7.45	7.95	8.45	8.95
Stroke(mm)	550	600	650	700	750	800	850	900	950	1000
Weight(kg)	9.45	9.95	10.45	10.95	11.45	11.95	12.45	12.95	13.45	13.95

Transition Front Guide Installation:



Stroke(mm)	50	100	150	200	250	300	350	400	450	500
Weight(kg)	5.5	6.05	6.6	7.15	7.7	8.25	8.8	9.35	9.9	10.45
Stroke(mm)	550	600	650	700	750	800	850	900	950	1000
Weight(kg)	11	11.55	12.1	12.65	13.2	13.75	14.3	14.85	15.4	15.95

Transition Male Clevis Installation:



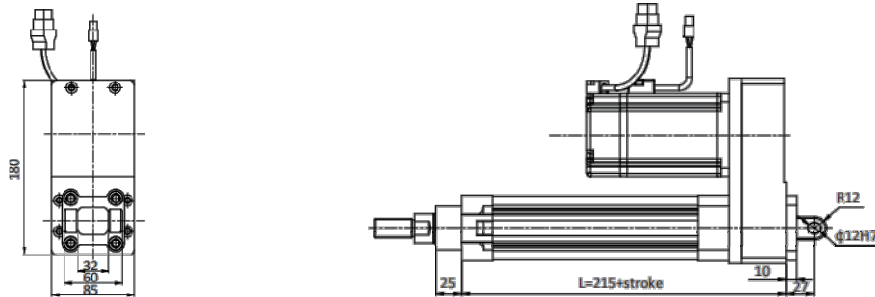
Stroke(mm)	50	100	150	200	250	300	350	400	450	500
Weight(Kg)	5.37	5.87	6.37	6.87	7.37	7.87	8.37	8.87	9.37	9.87
Stroke(mm)	550	600	650	700	750	800	850	900	950	1000
Weight(Kg)	10.37	10.87	11.37	11.87	12.37	12.87	13.37	13.87	14.37	14.87

Linear Electric Actuator

Series AVRS

Cat :

Transition Female Clevis Installation:



Stroke(mm)	50	100	150	200	250	300	350	400	450	500
Weight(kg)	5.33	5.83	6.33	6.83	7.33	7.83	8.33	8.83	9.33	9.83
Stroke(mm)	550	600	650	700	750	800	850	900	950	1000
Weight(kg)	10.33	10.83	11.33	11.83	12.33	12.83	13.33	13.83	14.33	14.83

Linear Electric Actuator

Series AVRS

Cat :

How to order

AVRS050

Lead	
05	5mm
10	10mm

Stroke	
0050-600mm	

Motor Position	
D	Direct
L	Left Side
R	Right Side
B	Bottom Side

Motor Make	
Servo	
D	Delta
Y	Yaskawa
M	Mitsubishi
P	Panasonic
V	INVT
T	Others

Motor Power	
Servo	
D	400W
E	750W
F	1000W

Brake	
Without Brake	
B	With Brake

Gear Specification	
	Without Gear Box
P02 to P50	Planetary Gear Box*

Encoder Type	
	Incremental
A	Absolute

Communication Type	
	Basic Type
C0	Modbus
C1	CAN Open
C2	Ether CAT
C3	PROFINET
C4	PROFIBUS
C5	Ethernet/IP
C6	Other Protocol -1
C7	Other Protocol -2
C8	Own Protocol -1*
C9	Own Protocol -2*

Motor & Encoder Cable	
1	1m
3	3m
5	5m
T	10m

I/O Cable	
N	Without Cable (Standard)
1	1m
A	1.5m
2	2m

Piston Rod Thread Type	
	Male Thread
F	Female Thread
S	Rod end Spherical eye
R	Rod end Fork

Note :

P	Gear Reduction
S	Over Drive

Note : * Based on Motor make

Actuator Mounting Portion	
Front Installation	
1	Front Flange Installation
2	Rear Flange Installation
3	Trunnion Installation
4	Side Installation
5	Front Guide Installation
6	Male Clevis Installation
7	Female Clevis Installation

Customization Order no	
XXXX	Special Requirements

Example:1

Order no. for Rod type ball screw electric actuator VDMA 50mm size, 10mm Lead, 500mm stroke with Delta 750W servo motor mounted at the motor Direct, with 3m Motor & Encoder cable.

AVRS050100500D-DE-3N

Example:2

Order no. for Rod type ball screw electric actuator VDMA 50mm size, 10mm Lead, 500mm stroke without Delta 750W servo motor mounted at the motor Direct.

AVRS050100500D-DE

Linear Electric Actuator

Series AVRS

Cat :

Rod Type Ball Screw Actuator - Heavy Series - 63mm

Features

- Compact Robust Design
- Highly flexible mounting
- More Precise & positioning
- Ease of positioning
- Ease of Maintenance

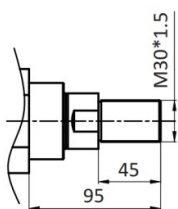


Technical Specifications

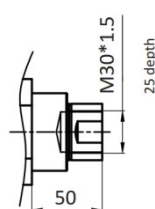
Repeatability (mm)	±0.02									
Motor Power (W)	400									
Motor Speed (RPM)	3000									
Rated torque (N.m)	1.27									
Ball screw Lead (mm)	5					10				
Maximum Speed (mm/sec)*	250	125	83	500	250	167	125	100	83	71
Rated Thrust (N)	1360	2720	4080	680	1360	2040	2720	3400	4080	4760
Gear Ratio	1:1	2:1	3:1	1:1	2:1	3:1	4:1	5:1	6:1	7:1
Stroke (mm)	50-1200mm									
Ball Screw Ø (mm)	C7 Ø 20									
Home Sensor	Outside	AM42 Reed Switch								
Repeatability (mm)	±0.02									
Motor Power (W)	750					1000		1000	1500	1500
Motor Speed (RPM)	3000					3000		2000	3000	2000
Rated torque (N.m)	2.4					3.18		4.77	4.77	7.16
Ball screw Lead (mm)	5	10			5	10		10	10	10
Maximum Speed (mm/sec)*	250	500	250	167	250	500	250	333	500	333
Rated Thrust (N)	2562	1281	2562	3843	3395	1696	3394	2546	2546	3822
Gear Ratio	1:1	1:1	2:1	3:1	1:1	1:1	2:1	1:1	1:1	1:1
Stroke (mm)	50-1200mm									
Ball Screw Ø (mm)	C7 Ø 20									
Home Sensor	Outside	AM42 Reed Switch								

*Acceleration and deceleration value is set 0.2sec

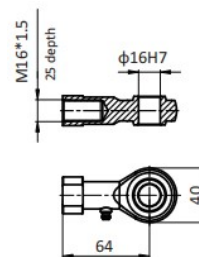
Front End Connection:



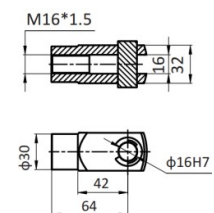
Male



Female



Rod end Spherical eye



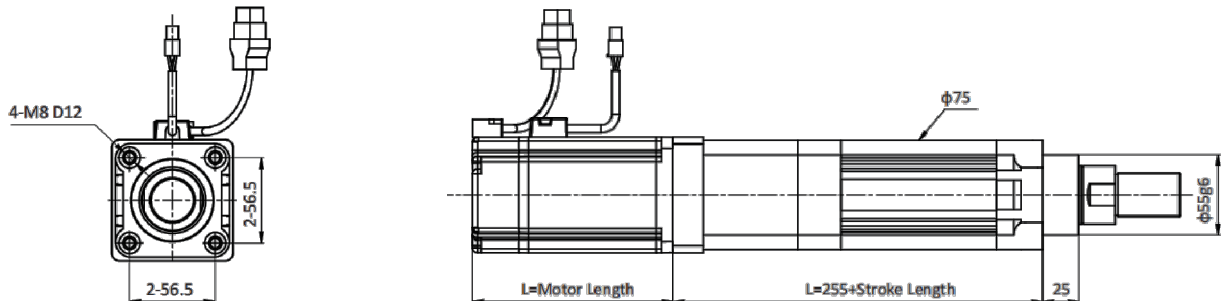
Rod end Fork

Linear Electric Actuator

Series AVRS

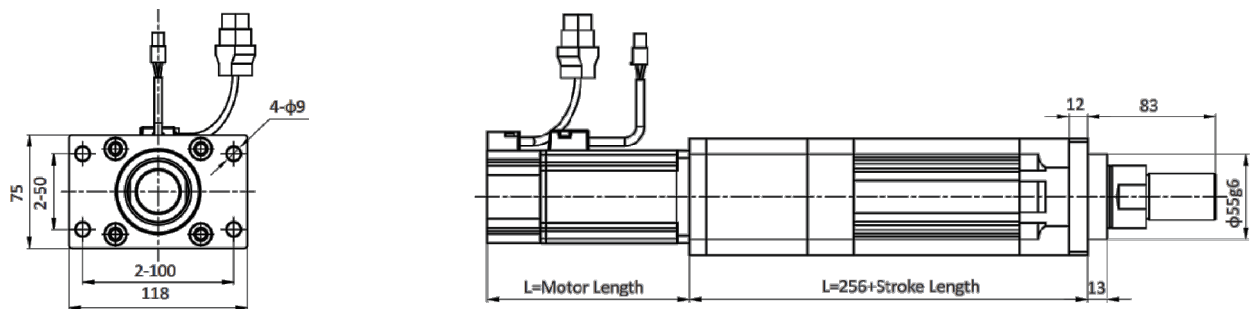
Cat :

Direct Front Installation



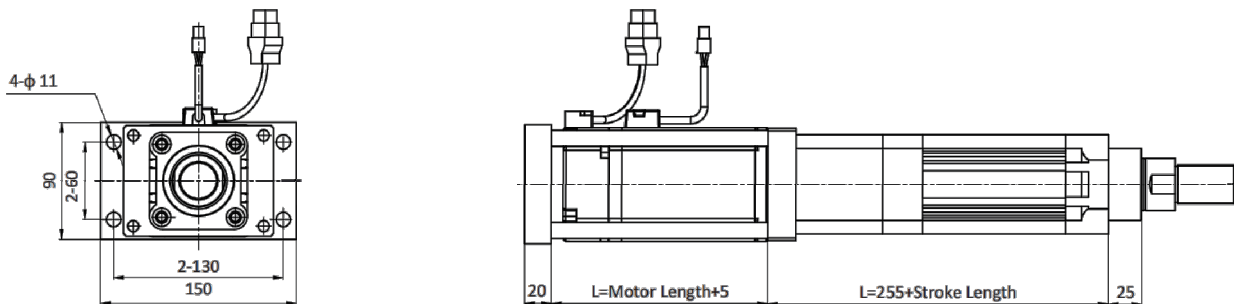
Stroke(mm)	50	100	150	200	250	300	350	400	450	500	550	600
Weight (Kg)	6.2	6.8	7.4	8	8.6	9.8	10.4	11	11.6	12.2	12.8	13.4
Stroke(mm)	650	700	750	800	850	900	950	1000	1050	1100	1150	1200
Weight (Kg)	14	14.6	15.2	15.8	16.4	17	17.6	18.2	18.8	19.4	20	20.6

Direct Front Flange Installation



Stroke(mm)	50	100	150	200	250	300	350	400	450	500	550	600
Weight (Kg)	6.14	6.74	7.34	7.94	8.54	9.14	9.74	10.34	10.94	11.54	12.14	12.74
Stroke(mm)	650	700	750	800	850	900	950	1000	1050	1100	1150	1200
Weight (Kg)	13.34	13.94	14.54	15.14	15.74	16.34	16.94	17.54	18.14	18.74	19.34	19.94

Direct Rear Flange Installation



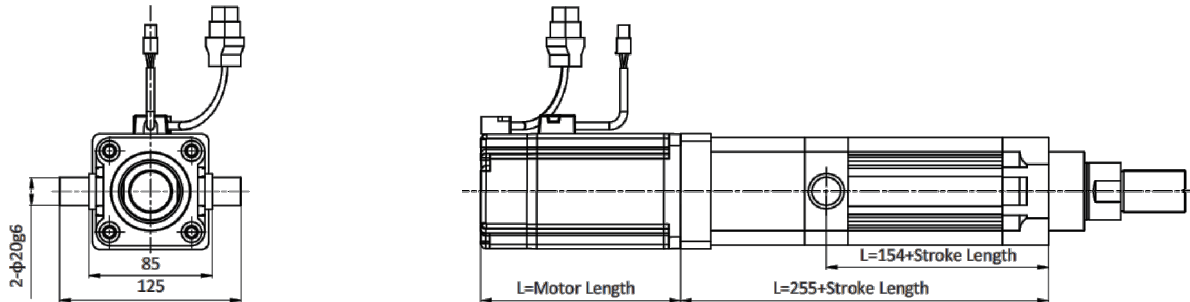
Stroke(mm)	50	100	150	200	250	300	350	400	450	500	550	600
Weight (Kg)	8.36	8.96	9.56	10.16	10.76	11.36	11.96	12.56	13.16	13.76	14.36	14.96
Stroke(mm)	650	700	750	800	850	900	950	1000	1050	1100	1150	1200
Weight (Kg)	15.56	16.16	16.76	17.36	17.96	18.56	19.16	19.76	20.36	20.96	21.56	22.16

Linear Electric Actuator

Series AVRS

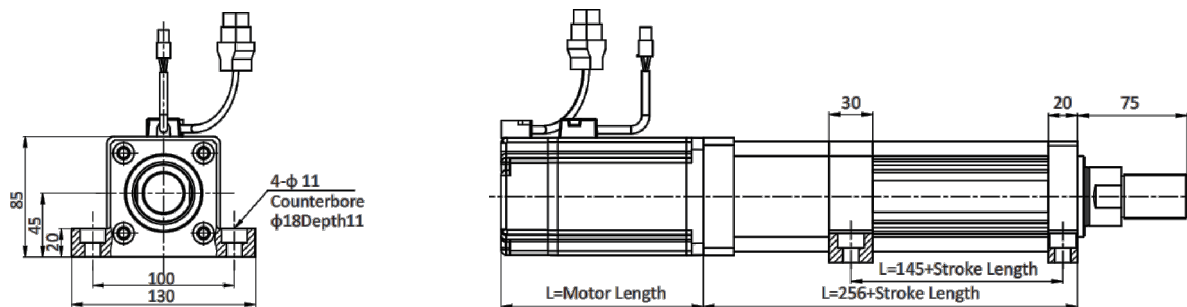
Cat :

Direct Trunnion Installation



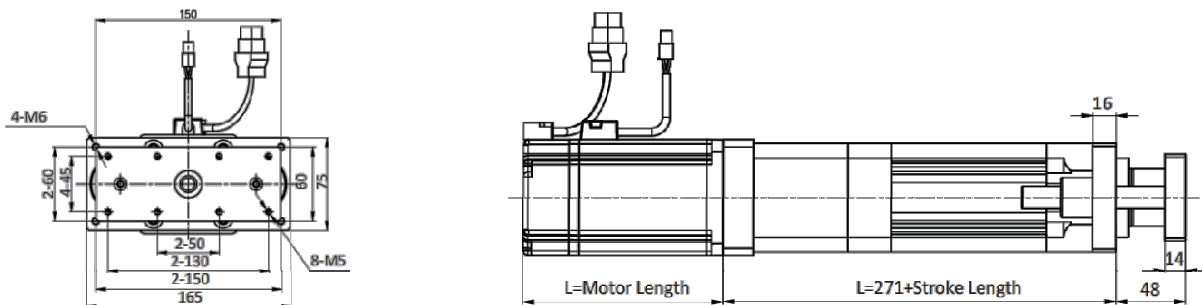
Stroke(mm)	50	100	150	200	250	300	350	400	450	500	550	600
Weight (Kg)	6.25	6.85	7.45	8.05	8.65	9.25	9.85	10.45	11.05	11.65	12.25	12.85
Stroke(mm)	650	700	750	800	850	900	950	1000	1050	1100	1150	1200
Weight (Kg)	13.45	14.05	14.65	15.25	15.85	16.45	17.05	17.65	18.25	18.85	19.45	20.05

Direct Side Installation



Stroke(mm)	50	100	150	200	250	300	350	400	450	500	550	600
Weight (Kg)	7.02	7.62	8.22	8.82	9.42	10.02	10.62	11.22	11.82	12.42	13.02	13.62
Stroke(mm)	650	700	750	800	850	900	950	1000	1050	1100	1150	1200
Weight (Kg)	14.02	14.62	15.02	15.62	16.02	16.62	17.02	17.62	18.02	18.62	19.02	19.62

Direct Front guide Installation



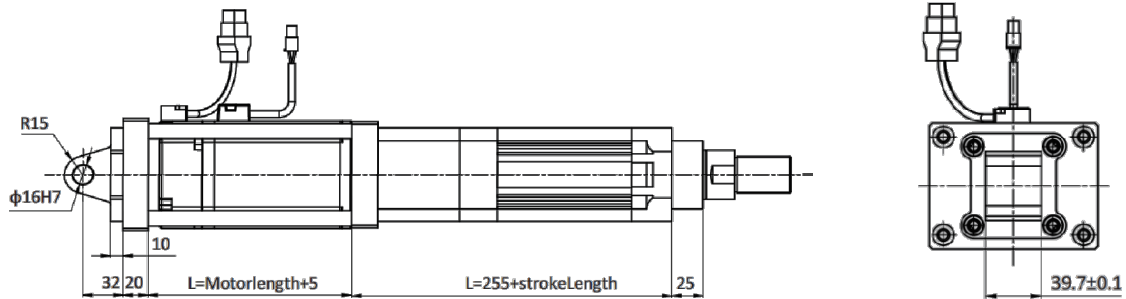
Stroke(mm)	50	100	150	200	250	300	350	400	450	500	550	600
Weight (Kg)	7.05	7.85	8.65	9.45	10.25	11.05	11.85	12.65	13.45	14.25	15.05	15.85
Stroke(mm)	650	700	750	800	850	900	950	1000	1050	1100	1150	1200
Weight (Kg)	16.65	17.45	18.25	19.05	19.85	20.65	21.45	22.25	23.05	23.85	24.65	25.45

Linear Electric Actuator

Series AVRS

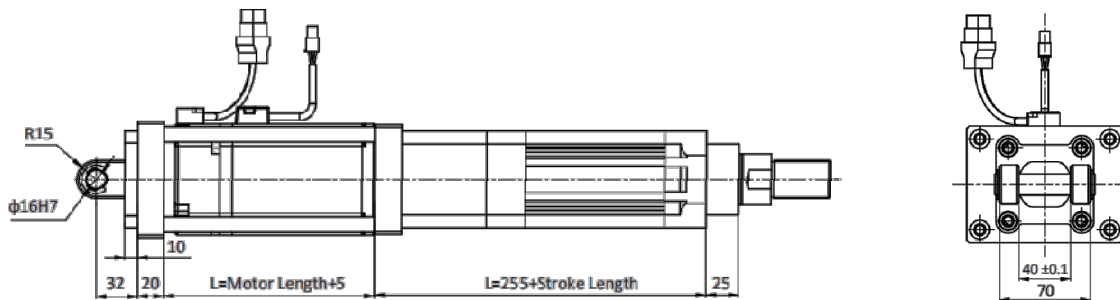
Cat :

Direct Male Clevis Installation



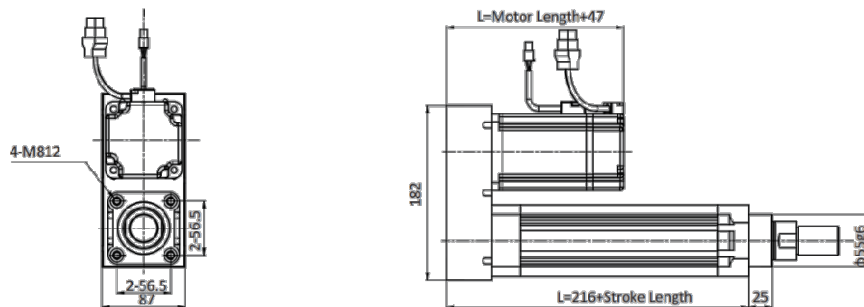
Stroke(mm)	50	100	150	200	250	300	350	400	450	500	550	600
Weight (Kg)	8.69	9.29	9.89	10.49	11.09	11.69	12.29	12.89	13.49	14.09	14.69	15.29
Stroke(mm)	650	700	750	800	850	900	950	1000	1050	1100	1150	1200
Weight (Kg)	15.89	16.49	17.09	17.69	18.29	18.89	19.49	20.9	20.69	21.29	21.89	22.49

Direct Female Clevis Installation



Stroke(mm)	50	100	150	200	250	300	350	400	450	500	550	600
Weight (Kg)	8.74	9.34	9.94	10.54	11.14	11.74	12.34	12.94	13.54	14.14	14.74	15.34
Stroke(mm)	650	700	750	800	850	900	950	1000	1050	1100	1150	1200
Weight (Kg)	15.94	16.54	17.14	17.74	18.34	18.94	19.54	20.14	20.74	21.34	21.94	22.54

Transition Front Installation



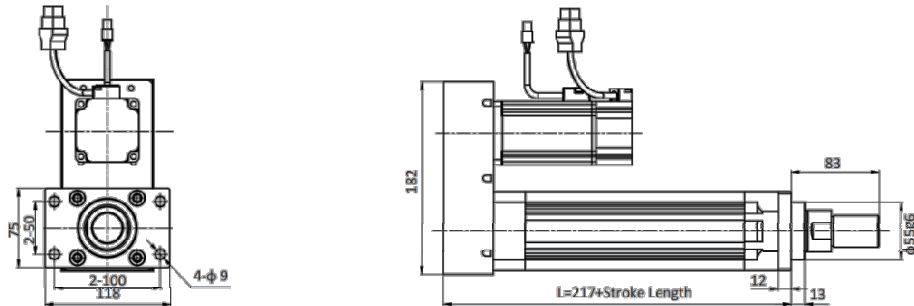
Stroke(mm)	50	100	150	200	250	300	350	400	450	500	550	600
Weight (Kg)	6.3	7.9	9.5	11.1	12.7	14.3	15.9	17.5	19.1	20.7	22.3	23.9
Stroke(mm)	650	700	750	800	850	900	950	1000	1050	1100	1150	1200
Weight (Kg)	25.5	27.1	28.7	30.3	31.9	33.5	35.1	36.7	38.3	39.9	41.5	43.1

Linear Electric Actuator

Series AVRS

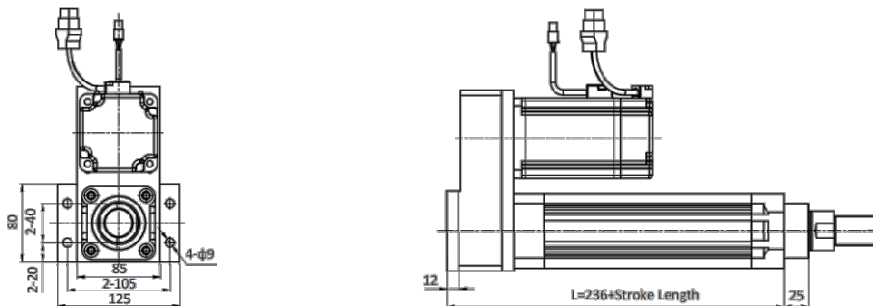
Cat :

Transition Flange Installation



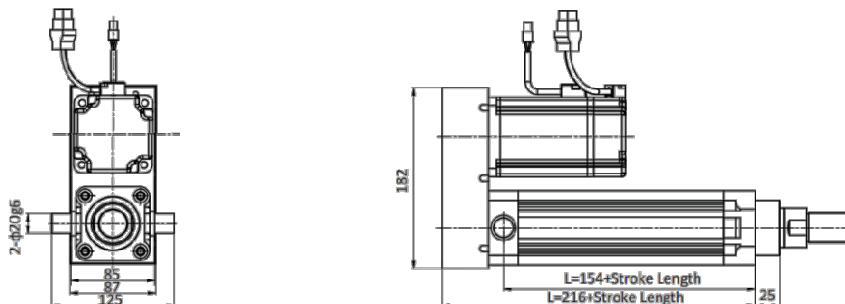
Stroke(mm)	50	100	150	200	250	300	350	400	450	500	550	600
Weight (Kg)	6.24	6.84	7.44	8.04	8.64	9.24	9.84	10.44	11.04	11.64	12.24	12.84
Stroke(mm)	650	700	750	800	850	900	950	1000	1050	1100	1150	1200
Weight (Kg)	13.44	14.04	14.64	15.24	15.84	16.44	17.04	17.64	18.24	18.84	19.44	20.04

Transition Rear Flange Installation



Stroke(mm)	50	100	150	200	250	300	350	400	450	500	550	600
Weight (Kg)	7.23	7.83	8.43	9.03	9.63	10.23	10.83	11.43	12.03	12.63	13.23	13.83
Stroke(mm)	650	700	750	800	850	900	950	1000	1050	1100	1150	1200
Weight (Kg)	14.43	15.03	15.63	16.23	16.83	17.43	18.03	18.63	19.23	19.83	20.43	21.03

Transition Trunnion Installation



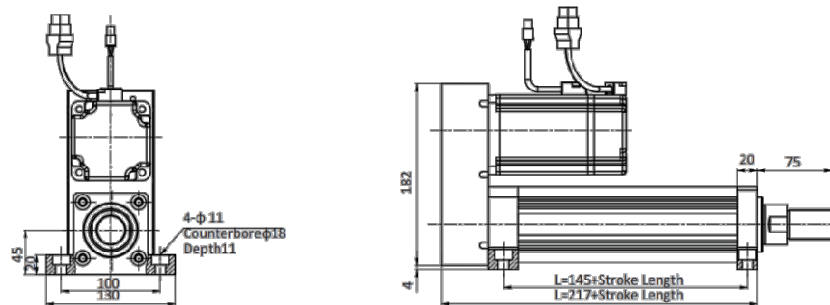
Stroke(mm)	50	100	150	200	250	300	350	400	450	500	550	600
Weight (Kg)	6.35	6.95	7.55	8.15	8.75	9.35	9.95	10.55	11.15	11.75	12.35	12.95
Stroke(mm)	650	700	750	800	850	900	950	1000	1050	1100	1150	1200
Weight (Kg)	13.55	14.15	14.75	15.35	15.95	16.55	17.15	17.75	18.35	18.95	19.55	20.15

Linear Electric Actuator

Series AVRS

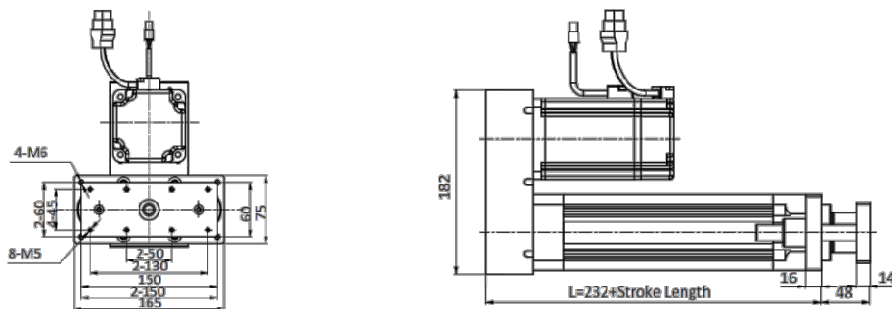
Cat :

Transition Side Installation



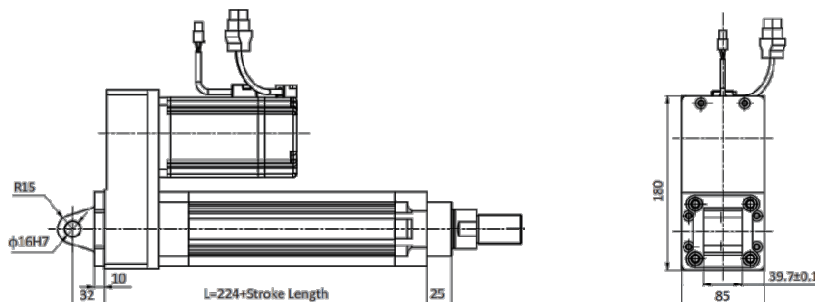
Stroke(mm)	50	100	150	200	250	300	350	400	450	500	550	600
Weight (Kg)	7.12	7.72	8.32	8.92	9.52	10.12	10.72	11.32	11.92	12.52	13.12	13.72
Stroke(mm)	650	700	750	800	850	900	950	1000	1050	1100	1150	1200
Weight (Kg)	14.32	14.92	15.52	16.12	16.72	17.32	17.92	18.52	19.12	19.72	20.32	20.92

Transition Front Guide Installation



Stroke(mm)	50	100	150	200	250	300	350	400	450	500	550	600
Weight (Kg)	7.15	7.95	8.75	9.55	10.35	11.15	11.95	12.75	13.55	14.35	15.15	15.95
Stroke(mm)	650	700	750	800	850	900	950	1000	1050	1100	1150	1200
Weight (Kg)	16.75	17.55	18.35	19.15	19.95	20.75	21.55	22.35	23.15	23.95	24.75	25.55

Transition Male Clevis Installation



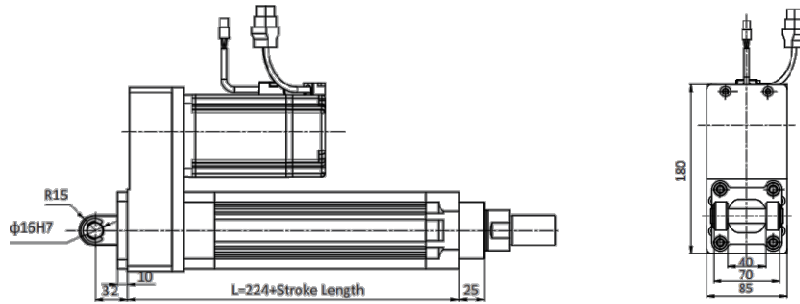
Stroke(mm)	50	100	150	200	250	300	350	400	450	500	550	600
Weight (Kg)	7.52	8.12	8.72	9.32	9.92	10.52	11.12	11.72	12.32	12.92	13.52	14.12
Stroke(mm)	650	700	750	800	850	900	950	1000	1050	1100	1150	1200
Weight (Kg)	14.72	15.32	15.92	16.52	17.12	17.72	18.32	18.92	19.52	20.12	20.72	21.32

Linear Electric Actuator

Series AVRS

Cat :

Transition Female Clevis Installation



Stroke(mm)	50	100	150	200	250	300	350	400	450	500	550	600
Weight (Kg)	7.58	8.18	8.78	9.38	9.98	10.58	11.18	11.78	12.38	12.98	13.58	14.18
Stroke(mm)	650	700	750	800	850	900	950	1000	1050	1100	1150	1200
Weight (Kg)	14.78	15.38	15.98	16.58	17.18	17.78	18.38	18.98	19.58	20.18	20.78	21.38

Linear Electric Actuator

Series AVRS

Cat :

How to Order

AVRS063

Lead	
05	5mm
10	10mm

Stroke	
0050-1000mm	

Motor Position	
D	Direct
L	Left Side
R	Right Side
B	Bottom Side

Motor Make	
Servo	
D	Delta
Y	Yaskawa
M	Mitsubishi
P	Panasonic
V	INVT
T	Others

Motor Power	
Servo	
D	400W
E	750W
F	1KW
G	1.5KW

Brake	
	Without Brake
B	With Brake

Gear Specification	
	Without Gear Box
P02 to P50	Planetary Gear Box*

Encoder Type	
	Incremental
A	Absolute

Communication Type	
	Basic Type
C0	Modbus
C1	CAN Open
C2	Ether CAT
C3	PROFINET
C4	PROFIBUS
C5	Ethernet/IP
C6	Other Protocol - 1
C7	Other Protocol - 2
C8	Own Protocol -1*
C9	Own Protocol -2*

Motor & Encoder Cable	
1	1m
3	3m
5	5m
T	10m

I/O Cable	
N	Without Cable (Standard)
1	1m
A	1.5m
2	2m

Piston Rod Thread Type	
	Male Thread
F	Female Thread
S	Rod end Spherical eye
R	Rod end Fork

Note :

P	Gear Reduction
S	Over Drive

Note : * Based on Motor make

Actuator Mounting Portion	
	Front Installation
1	Front Flange Installation
2	Rear Flange Installation
3	Trunnion Installation
4	Side Installation
5	Front Guide Installation
6	Male Clevis Installation
7	Female Clevis Installation

Customization Order no	
XXXX	Special Requirements

Example:1

Order no. for Rod type ball screw electric actuator VDMA 63mm size, 10mm Lead, 500mm stroke with Delta 750W servo motor mounted at the motor Direct, with 3m Motor & Encoder cable.

AVRS063100500D-DE-3N

Example:2

Order no. for Rod type ball screw electric actuator VDMA 63mm size, 10mm Lead, 500mm stroke without Delta 750W servo motor mounted at the motor Direct.

AVRS063100500D-DE

Linear Electric Actuator

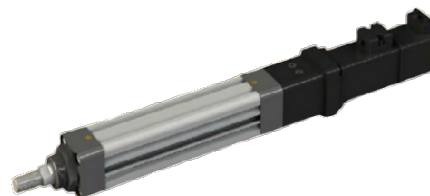
Series AVRS

Cat :

Rod Type Ball Screw Actuator - Heavy Series - 80mm

Features

- ❑ Compact Robust Design
- ❑ Highly flexible mounting
- ❑ More Precise & positioning
- ❑ Ease of positioning
- ❑ Ease of Maintenance

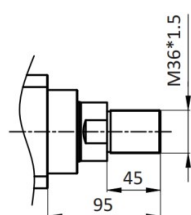


Technical Specifications

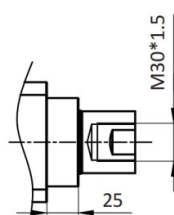
Repeatability (mm)	±0.02											
Motor Power (W)	1000						1000			1500		
Motor Speed (RPM)	3000						2000			3000		
Rated torque (N.m)	3.18						4.77			4.77		
Ball screw Lead (mm)	5			10			5		10		5	
Maximum Speed (mm/sec)*	250	125	500	250	167	125	100	167	333	167	111	250
Rated Thrust (N)	339 5	6790	1697	3394	5091	6788	8485	5092	2546	5092	7638	5092
Gear Ratio	1:1	2:1	1:1	2:1	3:1	4:1	5:1	1:1	1:1	2:1	3:1	1:1
Stroke (mm)	50-2000 mm											
Ball Screw Ø (mm)	C7 Ø 25											
Home Sensor	Outside	AM42 Reed Switch										
Repeatability (mm)	±0.02											
Motor Power (W)	1500			1500			2000		2000	3000	3000	
Motor Speed (RPM)	3000			2000			3000		2000	3000	2000	
Rated torque (N.m)	4.77			7.16			6.37		9.55	9.55	14.32	
Ball screw Lead (mm)	10			5	10		5	10		10	10	10
Maximum Speed (mm/sec)*	500	250	167	167	333	167	250	500	250	333	500	333
Rated Thrust (N)	254 6	5092	7638	7644	3822	7644	6800	3400	6800	5098	5098	7644
Gear Ratio	1:1	2:1	3:1	1:1	1:1	2:1	1:1	1:1	2:1	1:1	1:1	1:1
Stroke (mm)	50-2000 mm											
Ball Screw Ø (mm)	C7 Ø 25											
Home Sensor	Outside	AM42 Reed Switch										

*Acceleration and deceleration value is set 0.2sec

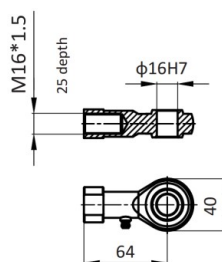
Front End Connection :



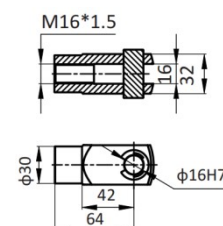
Male



Female



Rod End Spherical Eye



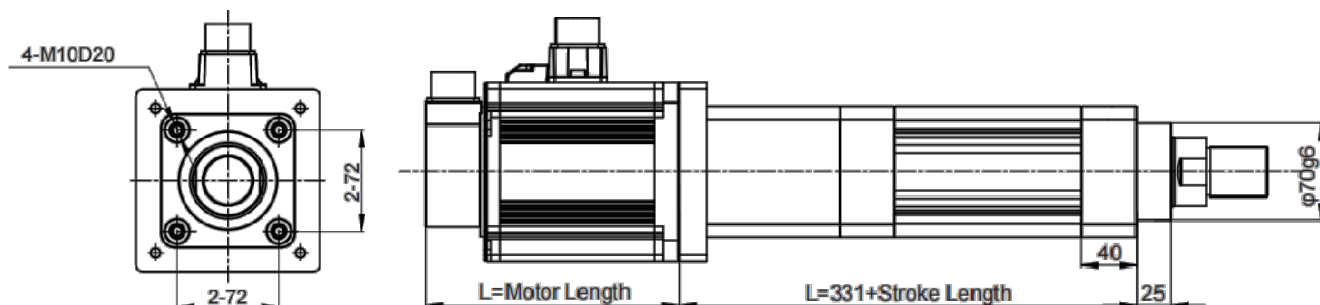
Rod End Fork

Linear Electric Actuator

Series AVRS

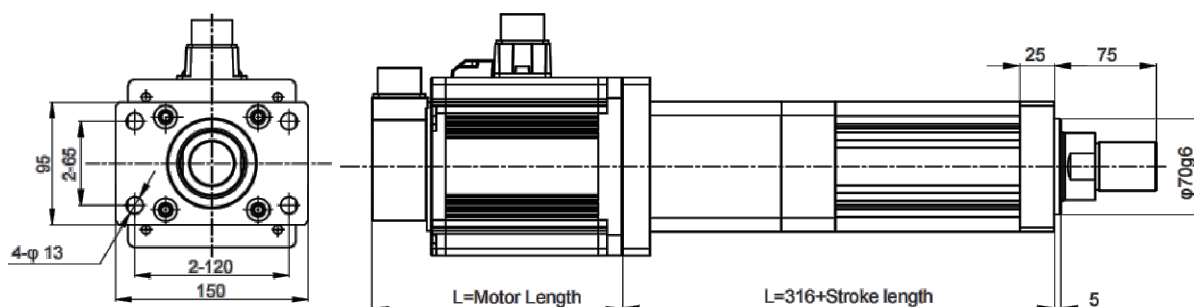
Cat :

Direct Front Installation:



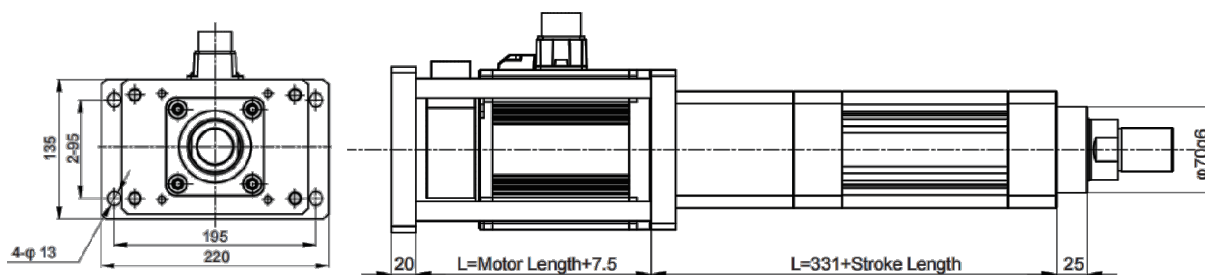
Stroke (mm)	50	100	150	200	250	300	350	400	450	500	550	600	650	700	750	800	850	900	950	1000
Weight (Kg)	12.11	13.2	14.15	15.1	16.05	17	17.95	18.9	19.85	20.8	21.75	22.7	23.65	24.6	25.55	26.5	27.45	28.4	29.35	30.3
Stroke (mm)	1050	1100	1150	1200	1250	1300	1350	1400	1450	1500	1550	1600	1650	1700	1750	1800	1850	1900	1950	2000
Weight (Kg)	31.25	32.2	33.15	34.1	35.05	36	36.95	37.9	38.85	39.8	40.75	41.7	42.65	43.6	44.55	45.5	46.45	47.4	48.48	49.3

Direct Front Flange Installation:



Stroke (mm)	50	100	150	200	250	300	350	400	450	500	550	600	650	700	750	800	850	900	950	1000
Weight (Kg)	12.11	13.06	14.01	14.96	15.91	16.86	17.81	18.76	19.71	20.66	21.61	22.56	23.51	24.46	25.41	26.36	27.31	28.26	29.21	30.16
Stroke (mm)	1050	1100	1150	1200	1250	1300	1350	1400	1450	1500	1550	1600	1650	1700	1750	1800	1850	1900	1950	2000
Weight (Kg)	31.11	32.06	33.01	33.96	34.91	35.86	36.81	37.76	38.71	39.66	40.61	41.56	42.51	43.46	44.41	45.36	46.31	47.26	48.21	49.16

Direct Rear Flange Installation:



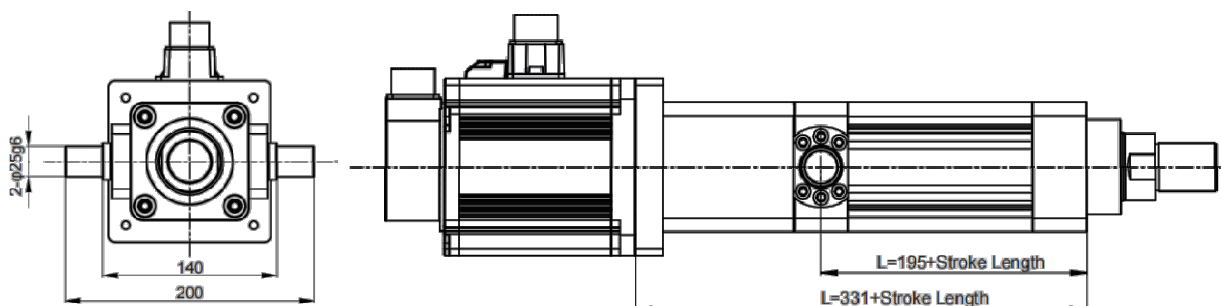
Stroke (mm)	50	100	150	200	250	300	350	400	450	500	550	600	650	700	750	800	850	900	950	1000
Weight (Kg)	15.37	16.32	17.27	18.22	19.17	20.12	21.07	22.02	22.97	23.92	24.87	25.82	26.77	27.72	28.67	29.62	30.57	31.52	32.47	33.42
Stroke (mm)	1050	1100	1150	1200	1250	1300	1350	1400	1450	1500	1550	1600	1650	1700	1750	1800	1850	1900	1950	2000
Weight (Kg)	34.37	35.32	36.27	37.22	38.17	39.12	40.07	41.02	41.97	42.92	43.87	44.82	45.77	46.72	47.67	48.62	49.57	50.52	51.47	52.42

Linear Electric Actuator

Series AVRS

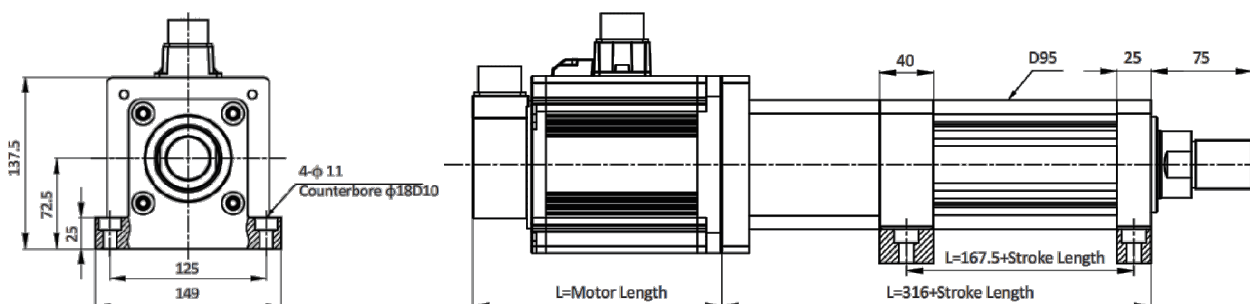
Cat :

Direct Trunnion Installation:



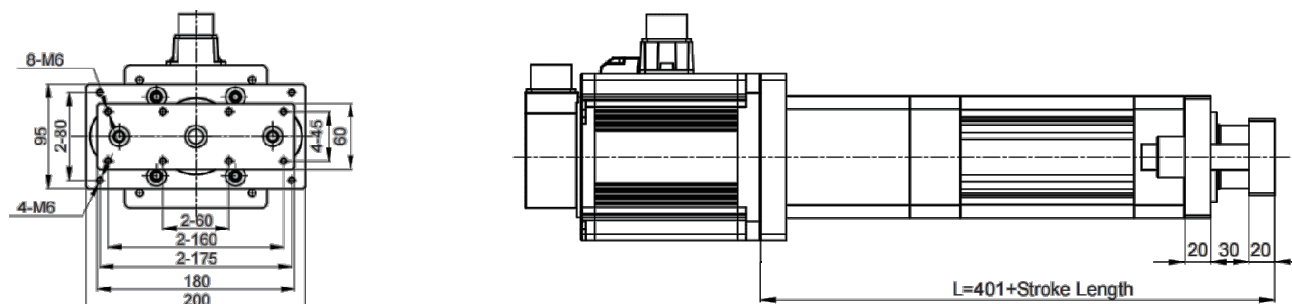
Stroke (mm)	50	100	150	200	250	300	350	400	450	500	550	600	650	700	750	800	850	900	950	1000
Weight (Kg)	12.09	13.04	13.99	14.94	15.89	16.84	17.79	18.74	19.69	20.64	21.59	22.54	23.49	24.44	25.39	26.34	27.29	28.24	29.19	30.14
Stroke (mm)	1050	1100	1150	1200	1250	1300	1350	1400	1450	1500	1550	1600	1650	1700	1750	1800	1850	1900	1950	2000
Weight (Kg)	31.09	32.04	32.99	33.94	34.89	35.84	36.79	37.74	38.69	39.64	40.59	41.54	42.49	43.44	44.39	45.34	46.29	47.24	48.19	49.14

Direct Side Installation :



Stroke (mm)	50	100	150	200	250	300	350	400	450	500	550	600	650	700	750	800	850	900	950	1000
Weight (Kg)	12.41	13.36	14.31	15.26	16.21	17.16	18.11	19.06	20.01	20.96	21.91	22.86	23.81	24.76	25.71	26.66	27.61	28.56	29.51	30.46
Stroke (mm)	1050	1100	1150	1200	1250	1300	1350	1400	1450	1500	1550	1600	1650	1700	1750	1800	1850	1900	1950	2000
Weight (Kg)	31.41	32.36	33.31	34.26	35.21	36.16	37.11	38.06	39.01	39.96	40.91	41.86	42.81	43.76	44.71	45.66	46.61	47.56	48.51	49.46

Direct Front Guide Installation :



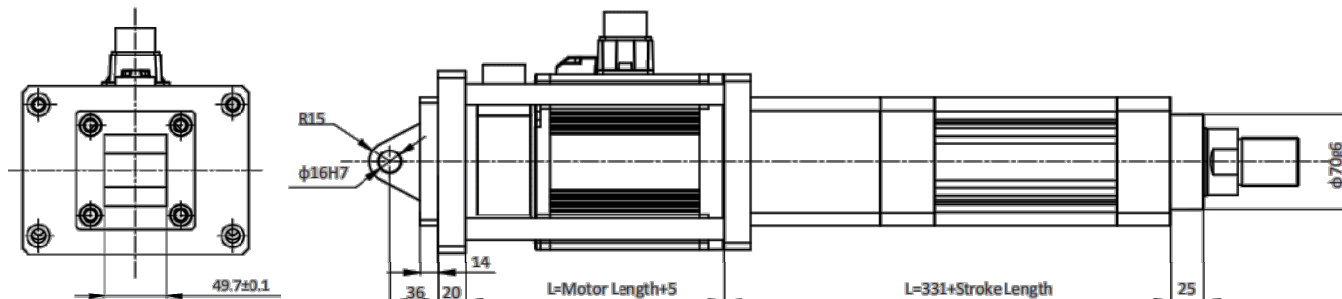
Stroke (mm)	50	100	150	200	250	300	350	400	450	500	550	600	650	700	750	800	850	900	950	1000
Weight (Kg)	13.74	14.94	16.14	17.34	18.54	19.74	20.94	22.14	23.34	24.54	25.74	26.94	28.14	29.34	30.54	31.74	32.94	34.14	35.34	36.54
Stroke (mm)	1050	1100	1150	1200	1250	1300	1350	1400	1450	1500	1550	1600	1650	1700	1750	1800	1850	1900	1950	2000
Weight (Kg)	37.74	38.94	40.14	41.34	42.54	43.74	44.94	46.14	47.34	48.54	49.74	50.94	52.14	53.34	54.54	55.74	56.94	58.14	59.34	60.54

Linear Electric Actuator

Series AVRS

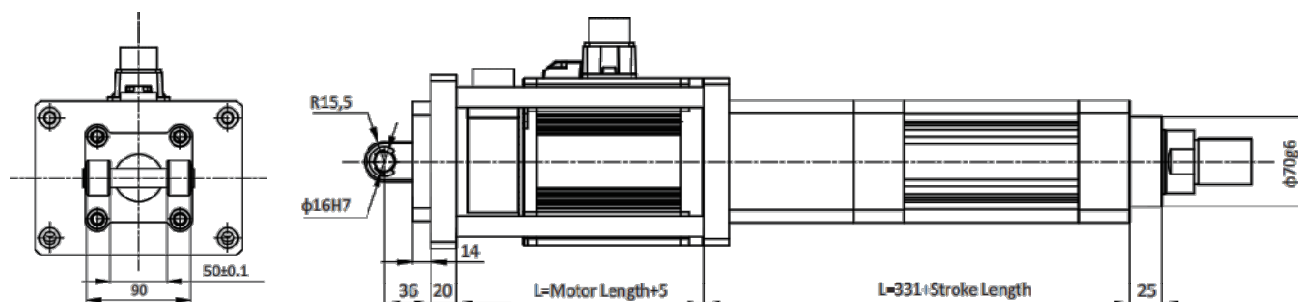
Cat :

Direct Male Clevis Installation :



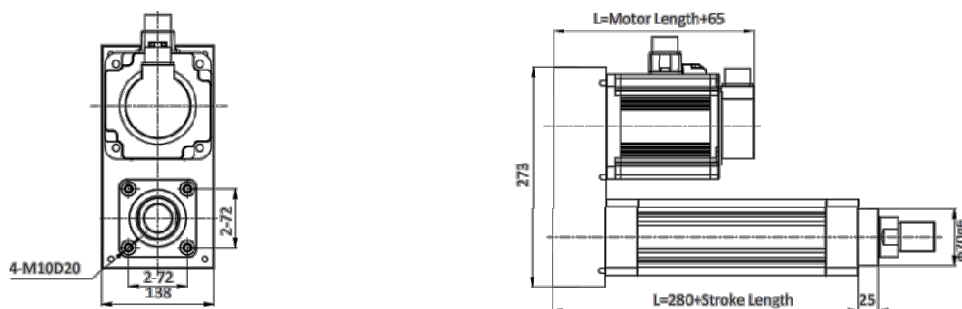
Stroke (mm)	50	100	150	200	250	300	350	400	450	500	550	600	650	700	750	800	850	900	950	1000
Weight (Kg)	16.41	17.36	18.31	19.26	20.21	21.16	22.11	23.06	24.01	24.96	25.91	26.86	27.81	28.76	29.71	30.66	31.61	32.56	33.51	34.46
Stroke (mm)	1050	1100	1150	1200	1250	1300	1350	1400	1450	1500	1550	1600	1650	1700	1750	1800	1850	1900	1950	2000
Weight (Kg)	35.41	36.36	37.31	38.26	39.21	40.16	41.11	42.06	43.01	43.96	44.91	45.86	46.81	47.76	48.71	49.66	50.61	51.56	52.51	53.46

Direct Female Clevis Installation:



Stroke (mm)	50	100	150	200	250	300	350	400	450	500	550	600	650	700	750	800	850	900	950	1000
Weight (Kg)	15.97	16.92	17.87	18.82	19.77	20.72	21.67	22.62	23.57	24.52	25.47	26.42	27.37	28.32	29.27	30.22	31.17	32.12	33.07	34.02
Stroke (mm)	1050	1100	1150	1200	1250	1300	1350	1400	1450	1500	1550	1600	1650	1700	1750	1800	1850	1900	1950	2000
Weight (Kg)	34.97	35.92	36.87	37.82	38.77	39.72	40.67	41.62	42.57	43.52	44.47	45.42	46.37	47.32	48.27	49.22	50.17	51.12	52.07	53.02

Transition Front Installation :



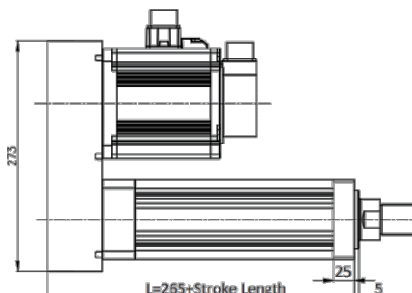
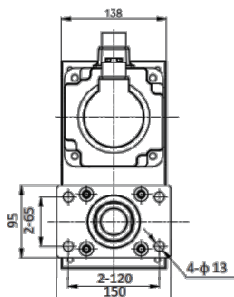
Stroke (mm)	50	100	150	200	250	300	350	400	450	500	550	600	650	700	750	800	850	900	950	1000
Weight (Kg)	13.40	14.35	15.30	16.25	17.20	18.15	19.10	20.05	21.00	21.95	22.90	23.85	24.80	25.75	26.70	27.65	28.60	29.55	30.50	31.45
Stroke (mm)	1050	1100	1150	1200	1250	1300	1350	1400	1450	1500	1550	1600	1650	1700	1750	1800	1850	1900	1950	2000
Weight (Kg)	32.40	33.35	34.30	35.25	36.20	37.15	38.10	39.05	40.00	40.95	41.90	42.85	43.80	44.75	45.70	46.65	47.60	48.55	49.50	50.45

Linear Electric Actuator

Series AVRS

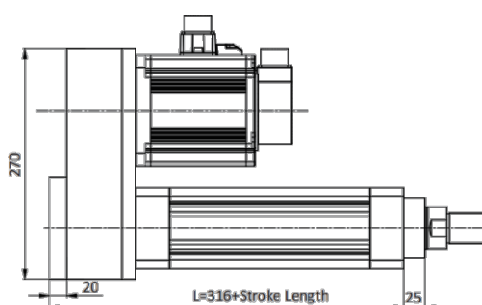
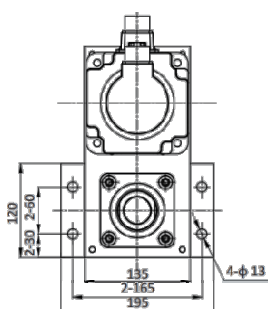
Cat :

Transition Front Flange Installation :



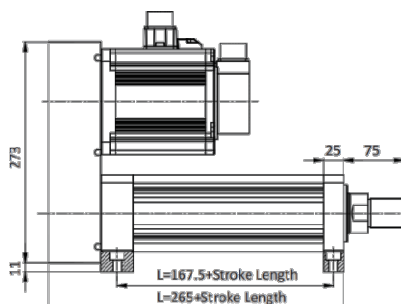
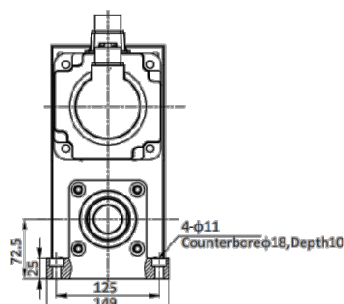
Stroke (mm)	50	100	150	200	250	300	350	400	450	500	550	600	650	700	750	800	850	900	950	1000
Weight (Kg)	12.50	13.45	14.40	15.35	16.30	17.25	18.20	19.15	20.10	21.05	22.00	22.95	23.90	24.85	25.80	26.75	27.70	28.65	29.60	30.55
Stroke (mm)	1050	1100	1150	1200	1250	1300	1350	1400	1450	1500	1550	1600	1650	1700	1750	1800	1850	1900	1950	2000
Weight (Kg)	31.50	32.45	33.40	34.35	35.30	36.25	37.20	38.15	39.10	40.05	41.00	41.95	42.90	43.85	44.80	45.75	46.70	47.65	48.60	49.55

Transition Rear Flange Installation :



Stroke (mm)	50	100	150	200	250	300	350	400	450	500	550	600	650	700	750	800	850	900	950	1000
Weight (Kg)	15.33	16.28	17.23	18.18	19.13	20.08	21.03	21.98	22.93	23.88	24.83	25.78	26.73	27.68	28.63	29.58	30.53	31.48	32.43	33.38
Stroke (mm)	1050	1100	1150	1200	1250	1300	1350	1400	1450	1500	1550	1600	1650	1700	1750	1800	1850	1900	1950	2000
Weight (Kg)	34.33	35.28	36.23	37.18	38.13	39.08	40.03	40.98	41.93	42.88	43.83	44.78	45.73	46.68	47.63	48.58	49.53	50.48	51.43	52.38

Transition Side Installation :



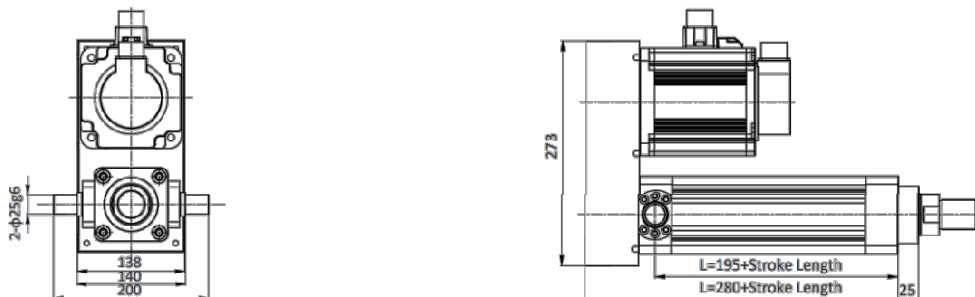
Stroke (mm)	50	100	150	200	250	300	350	400	450	500	550	600	650	700	750	800	850	900	950	1000
Weight (Kg)	13.96	14.91	15.86	16.81	17.76	18.71	19.66	20.61	21.56	22.51	23.46	24.41	25.36	26.31	27.26	28.21	29.16	30.11	31.06	32.01
Stroke (mm)	1050	1100	1150	1200	1250	1300	1350	1400	1450	1500	1550	1600	1650	1700	1750	1800	1850	1900	1950	2000
Weight (Kg)	32.96	33.91	34.86	35.81	36.76	37.71	38.66	39.61	40.56	41.51	42.46	43.41	44.36	45.31	46.26	47.21	48.16	49.11	50.06	51.01

Linear Electric Actuator

Series AVRS

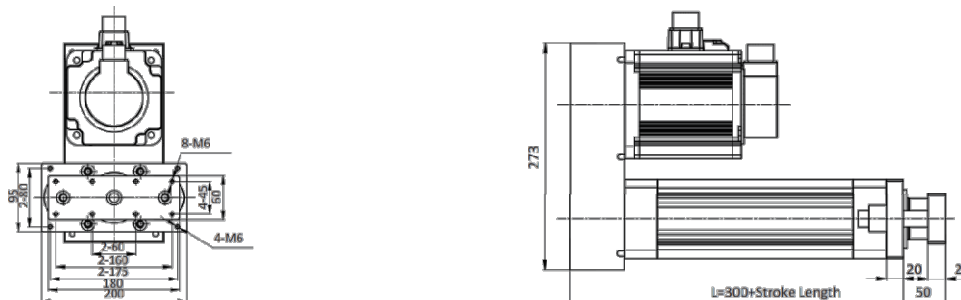
Cat :

Transition Trunnion Installation :



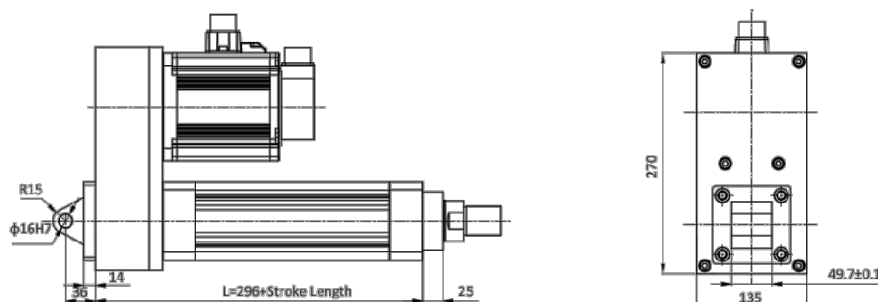
Stroke (mm)	50	100	150	200	250	300	350	400	450	500	550	600	650	700	750	800	850	900	950	1000
Weight (Kg)	13.96	14.91	15.86	16.81	17.76	18.71	19.66	20.61	21.56	22.51	23.46	24.41	25.36	26.31	27.26	28.21	29.16	30.11	31.06	32.01
Stroke (mm)	1050	1100	1150	1200	1250	1300	1350	1400	1450	1500	1550	1600	1650	1700	1750	1800	1850	1900	1950	2000
Weight (Kg)	32.96	33.91	34.86	35.81	36.76	37.71	38.66	39.61	40.56	41.51	42.46	43.41	44.36	45.31	46.26	47.21	48.16	49.11	50.06	51.01

Transition Front Guide Installation :



Stroke (mm)	50	100	150	200	250	300	350	400	450	500	550	600	650	700	750	800	850	900	950	1000
Weight (Kg)	13.96	14.91	15.86	16.81	17.76	18.71	19.66	20.61	21.56	22.51	23.46	24.41	25.36	26.31	27.26	28.21	29.16	30.11	31.06	32.01
Stroke (mm)	1050	1100	1150	1200	1250	1300	1350	1400	1450	1500	1550	1600	1650	1700	1750	1800	1850	1900	1950	2000
Weight (Kg)	32.96	33.91	34.86	35.81	36.76	37.71	38.66	39.61	40.56	41.51	42.46	43.41	44.36	45.31	46.26	47.21	48.16	49.11	50.06	51.01

Transition Male Clevis Installation :



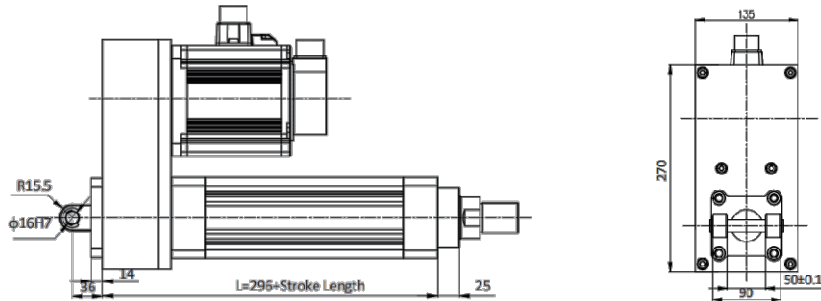
Stroke (mm)	50	100	150	200	250	300	350	400	450	500	550	600	650	700	750	800	850	900	950	1000
Weight (Kg)	14.72	15.67	16.62	17.57	18.52	19.47	20.42	21.37	22.32	23.27	24.22	25.17	26.12	27.07	28.02	28.97	29.92	30.87	31.82	32.77
Stroke (mm)	1050	1100	1150	1200	1250	1300	1350	1400	1450	1500	1550	1600	1650	1700	1750	1800	1850	1900	1950	2000
Weight (Kg)	33.72	34.67	35.62	36.57	37.52	38.47	39.42	40.37	41.32	42.27	43.22	44.17	45.12	46.07	47.02	47.97	48.92	49.87	50.82	51.77

Linear Electric Actuator

Series AVRS

Cat :

Transition Female Clevis Installation :



Stroke (mm)	50	100	150	200	250	300	350	400	450	500	550	600	650	700	750	800	850	900	950	1000
Weight (Kg)	14.28	15.23	16.18	17.13	18.08	19.03	19.98	20.93	21.88	22.83	23.78	24.73	25.68	26.63	27.58	28.53	29.48	30.43	31.38	32.33
Stroke (mm)	1050	1100	1150	1200	1250	1300	1350	1400	1450	1500	1550	1600	1650	1700	1750	1800	1850	1900	1950	2000
Weight (Kg)	33.28	34.23	35.18	36.13	37.08	38.03	38.98	39.93	40.88	41.83	42.78	43.73	44.68	45.63	46.58	47.53	48.48	49.43	50.38	51.33

Linear Electric Actuator

Series AVRS

Cat :

How to Order

AVRS080

Lead	
05	5mm
10	10mm

Stroke	
0050-1000mm	

Motor Position	
D	Direct
L	Left Side
R	Right Side
B	Bottom Side

Motor Make	
Servo	
D	Delta
Y	Yaskawa
M	Mitsubishi
P	Panasonic
V	INVT
T	Others

Motor Power	
Servo	
F	1KW
G	1.5KW
H	2KW
J	3KW

Brake	
Without Brake	
B	With Brake

Gear Specification	
Nil	Without Gear Box
P02 to P50	Planetary Gear Box*

Encoder Type	
Incremental	
A	Absolute

Communication Type	
Basic Type	
C0	Modbus
C1	CAN Open
C2	Ether CAT
C3	PROFINET
C4	PROFIBUS
C5	Ethernet/IP
C6	Other Protocol -1
C7	Other Protocol -2
C8	Own Protocol -1*
C9	Own Protocol -2*

Motor & Encoder Cable	
1	1m
3	3m
5	5m
T	10m

I/O Cable	
Without Cable (Standard)	
1	1m
A	1.5m
2	2m

Piston Rod Thread Type	
Male Thread	
F	Female Thread
S	Rod end Spherical eye
R	Rod end Fork

Note :

P	Gear Reduction
S	Over Drive

Note : * Based on Motor make

Actuator Mounting Portion	
Front Installation	
1	Front Flange Installation
2	Rear Flange Installation
3	Trunnion Installation
4	Side Installation
5	Front Guide Installation
6	Male Clevis Installation
7	Female Clevis Installation

Customization Order no	
XXXX	Special Requirements

Example:1

Order no. for Rod type ball screw electric actuator VDMA 80mm size, 10mm Lead, 500mm stroke with Delta 1.5KW servo motor mounted at the motor Direct, with 3m Motor & Encoder cable.

AVRS080100500D-DG-3N

Example:2

Order no. for Rod type ball screw electric actuator VDMA 80mm size, 10mm Lead, 500mm stroke without Delta 1.5KW servo motor mounted at the motor Direct.

AVRS080100500D-DG

Linear Electric Actuator

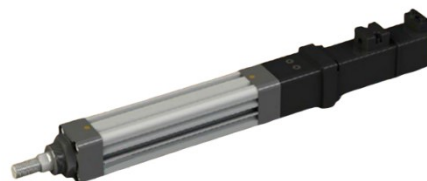
Series AVRS

Cat :

Rod Type Ball Screw Actuator - Heavy Series - 100mm

Features

- Compact Robust Design
- Highly flexible mounting
- More Precise & positioning
- Ease of positioning
- Ease of Maintenance



Technical Specifications

Repeatability (mm)	±0.02															
Motor Power (W)	1000											1000				
Motor Speed (RPM)	3000											2000				
Rated torque (N.m)	3.18											4.77				
Ball screw Lead (mm)	5				10								5			
Maximum Speed (mm/sec)*	250	125	83	63	500	250	167	125	100	83	71	63	167	84		
Rated Thrust (N)	3395	6790	10185	13580	1697	3394	5091	6788	8485	10812	11879	13576	5092	10184		
Gear Ratio	1:1	2:1	3:1	4:1	1:1	2:1	3:1	4:1	5:1	6:1	7:1	8:1	1:1	2:1		
Stroke (mm)	50-2000 mm															
Ball screw Ø (mm)	C7 Ø 32															
Home Sensor	Outside	AM42 Reed Switch														
Repeatability (mm)	±0.02															
Motor Power (W)	1000						1500						1500			
Motor Speed (RPM)	2000						3000						2000			
Rated torque (N.m)	4.77						4.77						7.16			
Ball screw Lead (mm)	10						5		10						5	
Maximum Speed (mm/sec)*	333	167	111	83	67	250	125	500	250	167	125	100	167			
Rated Thrust (N)	2546	5092	7638	10184	12730	5092	10184	2546	5092	7638	10184	12730	7644			
Gear Ratio	1:1	2:1	3:1	4:1	5:1	1:1	2:1	1:1	2:1	3:1	4:1	5:1	1:1			
Stroke (mm)	50-2000 mm															
Ball screw Ø (mm)	C7 Ø 32															
Home Sensor	Outside	AM42 Reed Switch														
Repeatability (mm)	±0.02															
Motor Power (W)	1500				2000				2000				3000		3000	
Motor Speed (RPM)	2000				3000				2000				3000		2000	
Rated torque (N.m)	7.16				6.37				9.55				9.55		14.32	
Ball screw Lead (mm)	10				5		10				5		10		10	
Maximum Speed (mm/sec)*	333	167	111	250	125	500	250	167	125	167	333	167	250	500	250	333
Rated Thrust (N)	3822	7644	11466	6800	13600	3400	6800	10200	13600	10196	5098	10196	10196	5098	10196	7644
Gear Ratio	1:1	2:1	3:1	1:1	2:1	1:1	2:1	3:1	4:1	1:1	1:1	2:1	1:1	1:1	2:1	1:1
Stroke (mm)	50-2000 mm															
Ball screw Ø (mm)	C7 Ø 32															
Home Sensor	Outside	AM42 Reed Switch														

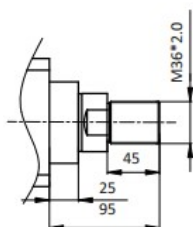
*Acceleration and deceleration value is set 0.2sec

Linear Electric Actuator

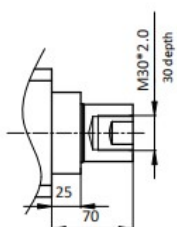
Series AVRS

Cat :

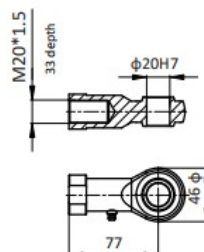
Front End Connection:



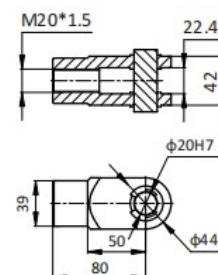
Male



Female

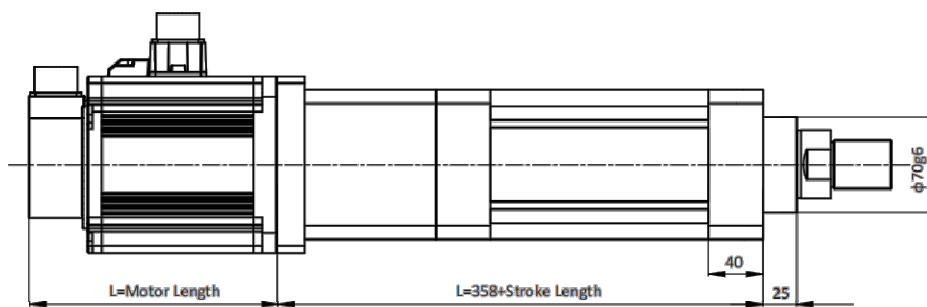
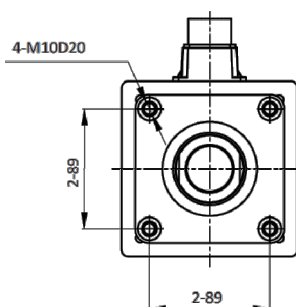


Rod end Spherical eye



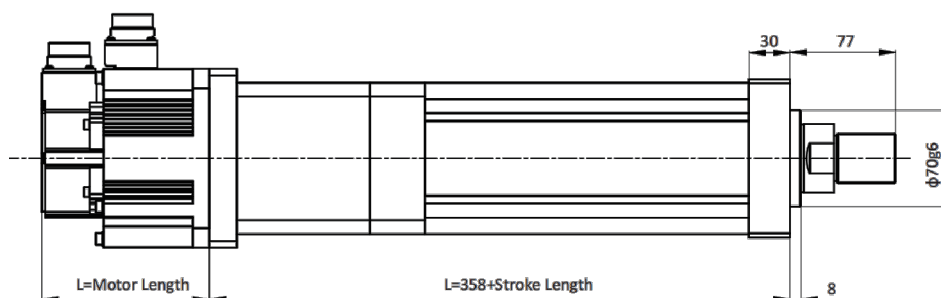
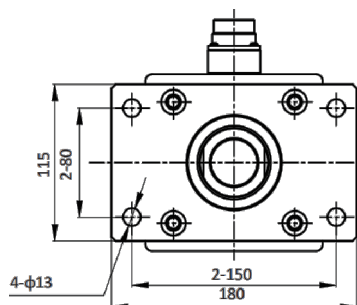
Rod end Fork

Direct Front Installation :



Stroke (mm)	50	100	150	200	250	300	350	400	450	500	550	600	650	700	750	800	850	900	950	1000
Weight (Kg)	17.16	18.26	19.36	20.46	21.56	22.66	23.76	24.86	25.96	27.06	28.16	29.26	30.36	31.46	32.56	33.66	34.76	35.86	36.96	38.06
Stroke (mm)	1050	1100	1150	1200	1250	1300	1350	1400	1450	1500	1550	1600	1650	1700	1750	1800	1850	1900	1950	2000
Weight (Kg)	39.16	40.26	41.36	42.46	43.56	44.66	45.76	46.86	47.96	49.06	50.16	51.26	52.36	53.46	54.56	55.66	56.76	57.86	58.96	60.06

Direct Front Flange Installation :



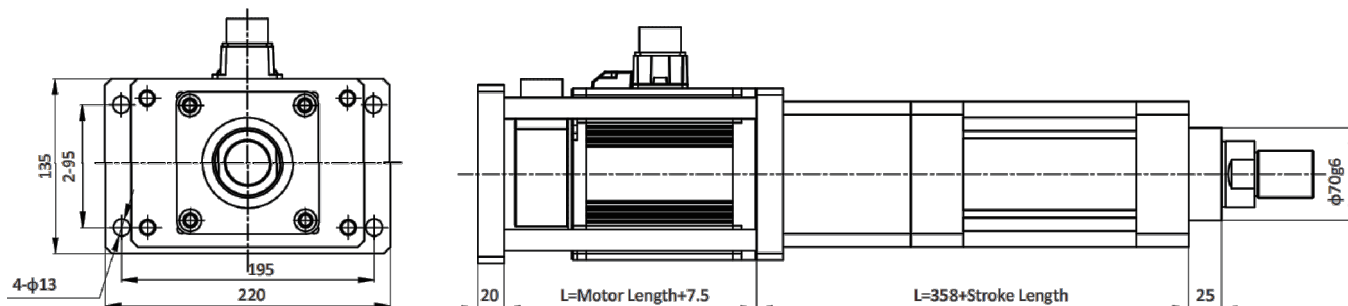
Stroke (mm)	50	100	150	200	250	300	350	400	450	500	550	600	650	700	750	800	850	900	950	1000
Weight (Kg)	15.96	17.06	18.16	19.26	20.36	21.46	22.56	23.66	24.76	25.86	26.96	28.06	29.16	30.26	31.36	32.46	33.56	34.66	35.76	36.86
Stroke (mm)	1050	1100	1150	1200	1250	1300	1350	1400	1450	1500	1550	1600	1650	1700	1750	1800	1850	1900	1950	2000
Weight (Kg)	37.96	39.06	40.16	41.26	42.36	43.46	44.56	45.66	46.76	47.86	48.96	50.06	51.16	52.26	53.36	54.46	55.56	56.66	57.76	58.86

Linear Electric Actuator

Series AVRS

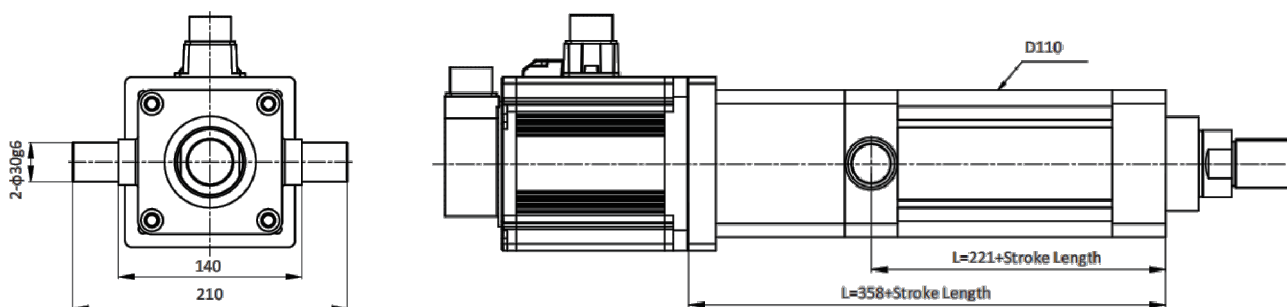
Cat :

Direct Rear Flange Installation :



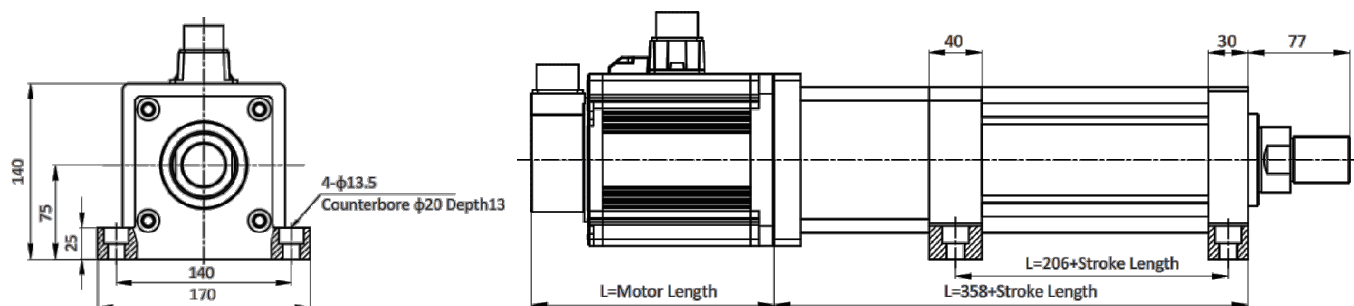
Stroke (mm)	50	100	150	200	250	300	350	400	450	500	550	600	650	700	750	800	850	900	950	1000
Weight (Kg)	19.57	20.67	21.77	22.87	23.97	25.07	26.17	27.27	28.37	29.47	30.57	31.67	32.77	33.87	34.97	36.07	37.17	38.27	39.37	40.47
Stroke (mm)	1050	1100	1150	1200	1250	1300	1350	1400	1450	1500	1550	1600	1650	1700	1750	1800	1850	1900	1950	2000
Weight (Kg)	41.57	42.67	43.77	44.87	45.97	47.07	48.17	49.27	50.37	51.47	52.57	53.67	54.77	55.87	56.97	58.07	59.17	60.27	61.37	62.47

Direct Trunnion Installation :



Stroke (mm)	50	100	150	200	250	300	350	400	450	500	550	600	650	700	750	800	850	900	950	1000
Weight (Kg)	16.67	17.77	18.87	19.97	21.07	22.17	23.27	24.37	25.47	26.57	27.67	28.77	29.87	30.97	32.07	33.17	34.27	35.37	36.47	37.57
Stroke (mm)	1050	1100	1150	1200	1250	1300	1350	1400	1450	1500	1550	1600	1650	1700	1750	1800	1850	1900	1950	2000
Weight (Kg)	38.67	39.77	40.87	41.97	43.07	44.17	45.27	46.37	47.47	48.57	49.67	50.77	51.87	52.97	54.07	55.17	56.27	57.37	58.47	59.57

Direct Side Installation :



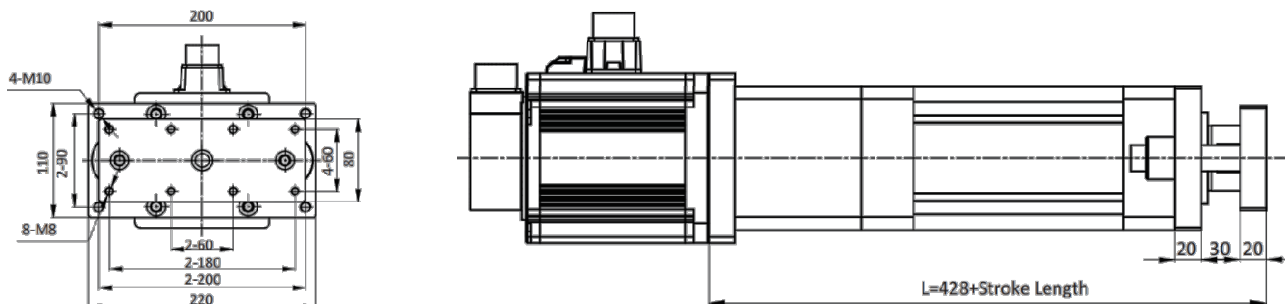
Stroke (mm)	50	100	150	200	250	300	350	400	450	500	550	600	650	700	750	800	850	900	950	1000
Weight (Kg)	16.89	17.99	19.09	20.19	21.29	22.39	23.49	24.59	25.69	26.79	27.89	28.99	30.09	31.19	32.29	33.39	34.49	35.59	36.69	37.79
Stroke (mm)	1050	1100	1150	1200	1250	1300	1350	1400	1450	1500	1550	1600	1650	1700	1750	1800	1850	1900	1950	2000
Weight (Kg)	38.89	39.99	41.09	42.19	43.29	44.39	45.49	46.59	47.69	48.79	49.89	50.99	52.09	53.19	54.29	55.39	56.49	57.59	58.69	59.79

Linear Electric Actuator

Series AVRS

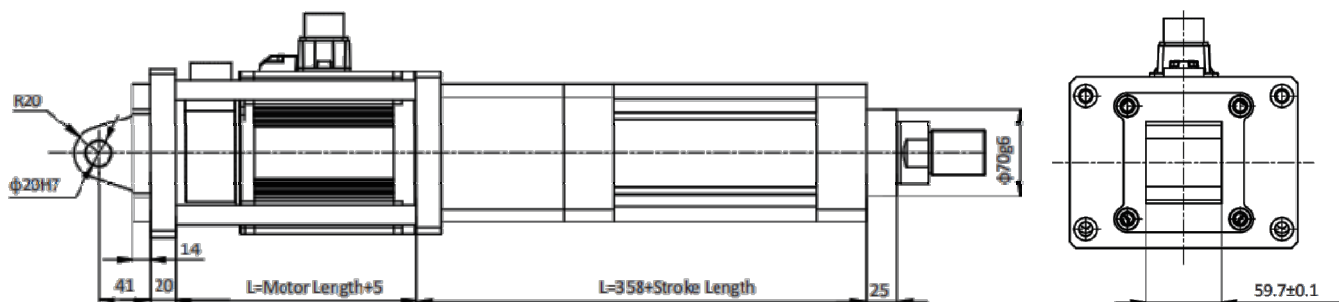
Cat :

Direct Front Guide Installation :



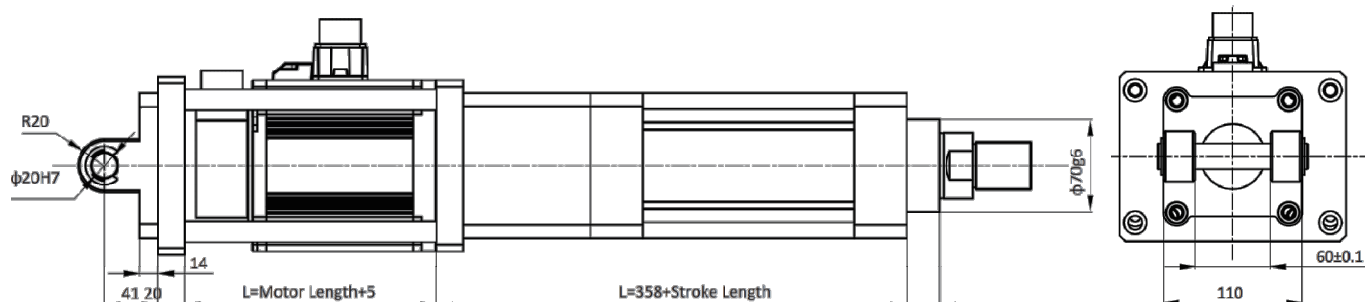
Stroke (mm)	50	100	150	200	250	300	350	400	450	500	550	600	650	700	750	800	850	900	950	1000
Weight (Kg)	16.82	18.17	19.52	20.87	22.22	23.57	24.92	26.27	27.62	28.97	30.32	31.67	33.02	34.37	35.72	37.07	38.42	39.77	41.12	42.47
Stroke (mm)	1050	1100	1150	1200	1250	1300	1350	1400	1450	1500	1550	1600	1650	1700	1750	1800	1850	1900	1950	2000
Weight (Kg)	43.82	45.17	46.52	47.87	49.22	50.57	51.92	53.27	54.62	55.97	57.32	58.67	60.02	61.37	62.72	64.07	65.42	66.77	68.12	69.47

Direct Male Clevis Installation :



Stroke (mm)	50	100	150	200	250	300	350	400	450	500	550	600	650	700	750	800	850	900	950	1000
Weight (Kg)	20.65	21.75	22.85	23.95	25.05	26.15	27.25	28.35	29.45	30.55	31.65	32.75	33.85	34.95	36.05	37.15	38.25	39.35	40.45	41.55
Stroke (mm)	1050	1100	1150	1200	1250	1300	1350	1400	1450	1500	1550	1600	1650	1700	1750	1800	1850	1900	1950	2000
Weight (Kg)	42.65	43.75	44.85	45.95	47.05	48.15	49.25	50.35	51.45	52.55	53.65	54.75	55.85	56.95	58.05	59.15	60.25	61.35	62.45	63.55

Direct Female Clevis Installation :



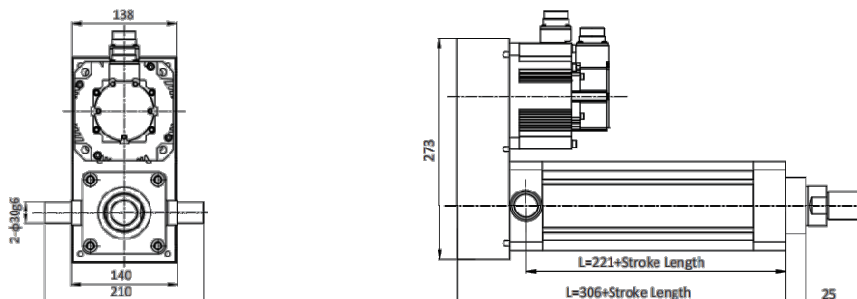
Stroke (mm)	50	100	150	200	250	300	350	400	450	500	550	600	650	700	750	800	850	900	950	1000
Weight (Kg)	20.76	21.86	22.96	24.06	25.16	26.26	27.36	28.46	29.56	30.66	31.76	32.86	33.96	35.06	36.16	37.26	38.36	39.46	40.56	41.66
Stroke (mm)	1050	1100	1150	1200	1250	1300	1350	1400	1450	1500	1550	1600	1650	1700	1750	1800	1850	1900	1950	2000
Weight (Kg)	42.76	43.86	44.96	46.06	47.16	48.26	49.36	50.46	51.56	52.66	53.76	54.86	55.96	57.06	58.16	59.26	60.36	61.46	62.56	63.66

Linear Electric Actuator

Series AVRS

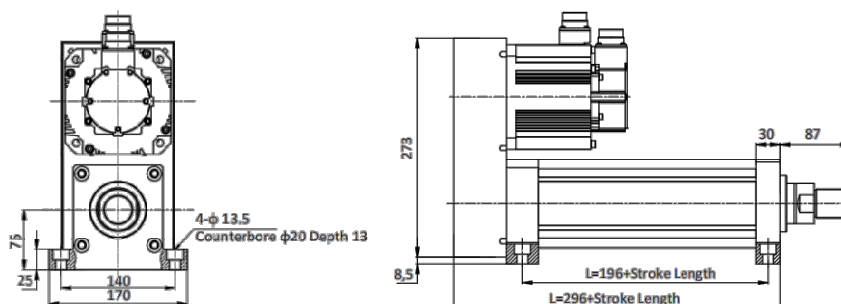
Cat :

Transition Trunnion Installation :



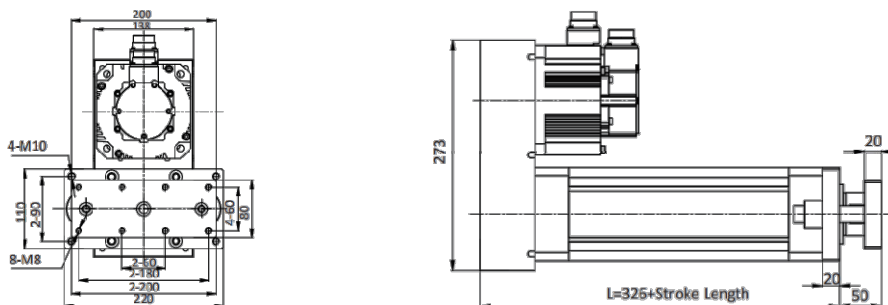
Stroke (mm)	50	100	150	200	250	300	350	400	450	500	550	600	650	700	750	800	850	900	950	1000
Weight (Kg)	15.29	16.39	17.49	18.59	19.69	20.79	21.89	22.99	24.09	25.19	26.29	27.39	28.49	29.59	30.69	31.79	32.89	33.99	35.09	36.19
Stroke (mm)	1050	1100	1150	1200	1250	1300	1350	1400	1450	1500	1550	1600	1650	1700	1750	1800	1850	1900	1950	2000
Weight (Kg)	37.29	38.39	39.49	40.59	41.69	42.79	43.89	44.99	46.09	47.19	48.29	49.39	50.49	51.59	52.69	53.79	54.89	55.99	57.09	58.19

Transition Side Installation :



Stroke (mm)	50	100	150	200	250	300	350	400	450	500	550	600	650	700	750	800	850	900	950	1000
Weight (Kg)	15.82	16.92	18.02	19.12	20.22	21.32	22.42	23.52	24.62	25.72	26.82	27.92	29.02	30.12	31.22	32.32	33.42	34.52	35.62	36.72
Stroke (mm)	1050	1100	1150	1200	1250	1300	1350	1400	1450	1500	1550	1600	1650	1700	1750	1800	1850	1900	1950	2000
Weight (Kg)	37.82	38.92	40.02	41.12	42.22	43.32	44.42	45.52	46.62	47.72	48.82	49.92	51.02	52.12	53.22	54.32	55.42	56.52	57.62	58.72

Transition Front Guide Installation :



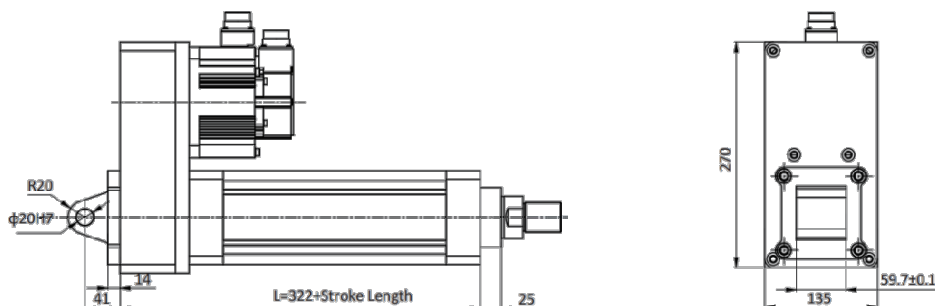
Stroke (mm)	50	100	150	200	250	300	350	400	450	500	550	600	650	700	750	800	850	900	950	1000
Weight (Kg)	15.75	17.10	18.45	19.80	21.15	22.50	23.85	25.20	26.55	27.90	29.25	30.60	31.95	33.30	34.65	36.00	37.35	38.70	40.05	41.40
Stroke (mm)	1050	1100	1150	1200	1250	1300	1350	1400	1450	1500	1550	1600	1650	1700	1750	1800	1850	1900	1950	2000
Weight (Kg)	42.75	44.10	45.45	46.80	48.15	49.50	50.85	52.20	53.55	54.90	56.25	57.60	58.95	60.30	61.65	63.00	64.35	65.70	67.05	68.40

Linear Electric Actuator

Series AVRS

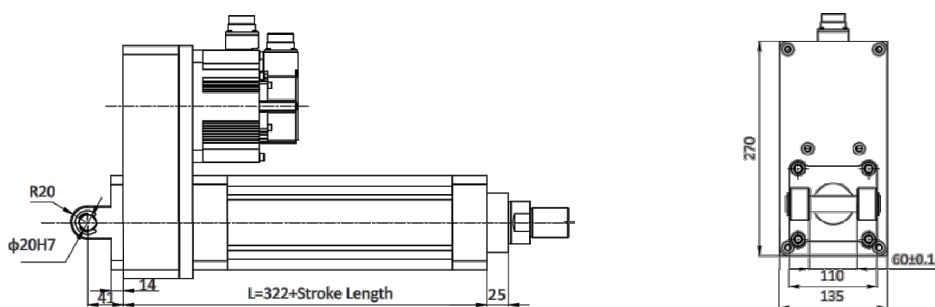
Cat :

Transition Male Clevis Installation :



Stroke (mm)	50	100	150	200	250	300	350	400	450	500	550	600	650	700	750	800	850	900	950	1000
Weight (Kg)	24.08	25.18	26.28	27.38	28.48	29.58	30.68	31.78	32.88	33.98	35.08	36.18	37.28	38.38	39.48	40.58	41.68	42.78	43.88	44.98
Stroke (mm)	1050	1100	1150	1200	1250	1300	1350	1400	1450	1500	1550	1600	1650	1700	1750	1800	1850	1900	1950	2000
Weight (Kg)	46.08	47.18	48.28	49.38	50.48	51.58	52.68	53.78	54.88	55.98	57.08	58.18	59.28	60.38	61.48	62.58	63.68	64.78	65.88	66.98

Transition Female Clevis Installation :



Stroke (mm)	50	100	150	200	250	300	350	400	450	500	550	600	650	700	750	800	850	900	950	1000
Weight (Kg)	24.19	25.29	26.39	27.49	28.59	29.69	30.79	31.89	32.99	34.09	35.19	36.29	37.39	38.49	39.59	40.69	41.79	42.89	43.99	45.09
Stroke (mm)	1050	1100	1150	1200	1250	1300	1350	1400	1450	1500	1550	1600	1650	1700	1750	1800	1850	1900	1950	2000
Weight (Kg)	46.19	47.29	48.39	49.49	50.59	51.69	52.79	53.89	54.99	56.09	57.19	58.29	59.39	60.49	61.59	62.69	63.79	64.89	65.99	67.09

Linear Electric Actuator

Series AVRS

Cat :

How to Order

AVRS100

Lead	
05	5mm
10	10mm

Stroke	
0050-1000mm	

Motor Position	
D	Direct
L	Left Side
R	Right Side
B	Bottom Side

Motor Make	
Servo	
D	Delta
Y	Yaskawa
M	Mitsubishi
P	Panasonic
V	INVT
T	Others

Motor Power	
Servo	
F	1KW
G	1.5KW
H	2KW
J	3KW

Brake	
Without Brake	
B	With Brake

Gear Specification	
Without Gear Box	
P02 to P50	Planetary Gear Box*

Encoder Type	
Incremental	
A	Absolute

Communication Type	
Basic Type	
C0	Modbus
C1	CAN Open
C2	Ether CAT
C3	PROFINET
C4	PROFIBUS
C5	Ethernet/IP
C6	Other Protocol -1
C7	Other Protocol -2
C8	Own Protocol -1*
C9	Own Protocol -2*

Motor & Encoder Cable	
1	1m
3	3m
5	5m
T	10m

I/O Cable	
Without Cable (Standard)	
1	1m
A	1.5m
2	2m

Piston Rod Thread Type	
Male Thread	
F	Female Thread
S	Rod end Spherical eye
R	Rod end Fork

Note :

P	Gear Reduction
S	Over Drive

Note : * Based on Motor make

Actuator Mounting Portion	
Front Installation	
1	Front Flange Installation
2	Rear Flange Installation
3	Trunnion Installation
4	Side Installation
5	Front Guide Installation
6	Male Clevis Installation
7	Female Clevis Installation

Customization Order no	
XXXX	Special Requirements

Example:1

Order no. for Rod type ball screw electric actuator VDMA 100mm size, 10mm Lead, 500mm stroke with Delta 1.5 KW servo motor mounted at the motor Direct, with 3m Motor & Encoder cable.

AVRS100100500D-DG-3N

Example:2

Order no. for Rod type ball screw electric actuator VDMA 100mm size, 10mm Lead, 500mm stroke with Delta 1.5 KW servo motor mounted at the motor Direct.

AVRS100100500D-DG

Linear Electric Actuator

Series AELS

Cat :

Rodless Type Ball Screw Actuator Series



Size (in mm)	Repeatability (in mm)	Ball screw Lead (in mm)	Max Speed (in mm/s)	Max. Pay load (in kg)		Stroke (in mm)
				Horizontal	Vertical	
44	±0.01	2	≤ 100	≤ 25	≤ 8	50-1000
		6	≤ 300	≤ 20	≤ 8	
		12	≤ 600	≤ 12	≤ 3.5	
54		2	≤ 100	≤ 30	≤ 10	50-1050
		5	≤ 250	≤ 30	≤ 10	
		10	≤ 500	≤ 15	≤ 5	
	20	≤ 1000	≤ 10	≤ 2.5		

Linear Electric Actuator

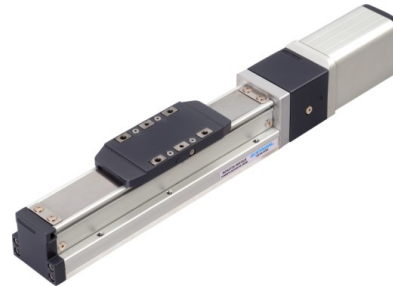
Series AELS

Cat :

Rodless Type Ball Screw Actuator - 44mm (Step-servo)

Features

- Compact Robust Design
- Highly flexible mounting
- More Precise & positioning
- Ease of positioning
- Ease of Maintenance



Technical Specifications

Repeatability (mm)		±0.01		
Ball screw lead (mm)		2	6	12
Maximum speed*	Horizontal (mm/s)	≤ 100	≤ 300	≤ 600
	Vertical (mm/s)	≤ 100	≤ 300	≤ 600
Maximum payload**	Horizontal (Kg)	≤ 25	≤ 20	≤ 12
	Vertical (Kg)	≤ 8	≤ 8	≤ 3.5
Rated thrust (N)		1094	365	182
Stroke (mm)***		50-1000mm		
Ball screw Ø (mm)		C7 Ø 10 mm		
Motor dimension (mm)		35□		

* The maximum speed shown here is when software speed setting is 100%.

** The maximum speed and maximum payload cannot exist at the same time. Please refer to diagram of speed and payload curve before using.

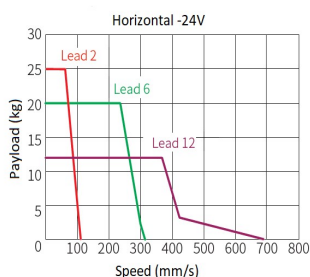
*** When the stroke is over 550mm the run-out of the ball screw will occur. We recommend to low down the working speed under circumstances. Please refer to P1.18 for details.

Corresponding Controller Chart

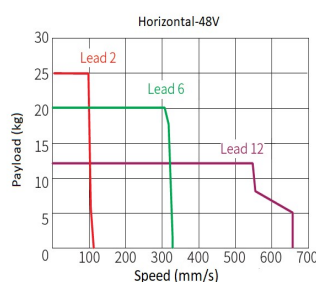
Controller	Controller model	Controller mode	Features	Electrical specification
	JC100	Pulse control Mode	Support line driver and open controller max. pulse receiving speed 200k/60k Hz	The voltage of control circuit is 24V. Operating voltage DC24V, rated current 2A, peak current 3A.
		IO control mode	By IO Control, max.127 position points, can be executed.	Operating voltage DC48V, rated current 1A, peak current 2A.
		Communication control mode	Use Mod bus as the interface of RS485(Connect max.16 controllers) and 1 set mini USB	When the voltage is DC48V but same torque, the rotation speed will be raised.

Speed-Payload Curve Diagram

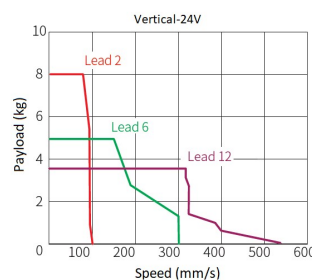
Horizontal-24V



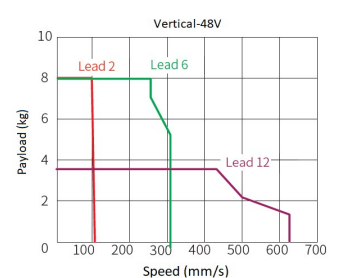
Horizontal-48V



Vertical - 24V



Vertical - 48V

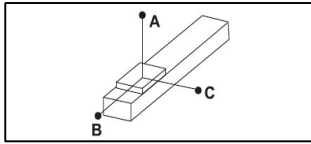


Linear Electric Actuator

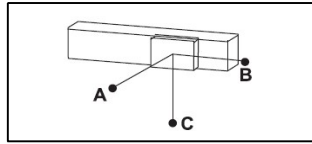
Series AELS

Cat :

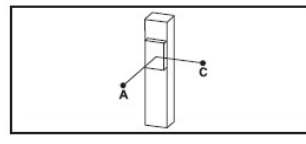
Allowable Moment



Unit:mm

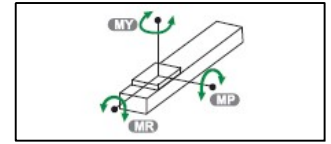


Unit:mm



Unit:mm

Static Loading Moment



Unit:Nm

Horizontal Installation		A	B	C
2 Lead	12Kg	640	64	94
	18Kg	400	40	59
	25Kg	280	28	42
6 Lead	8Kg	770	77	107
	12Kg	480	48	68
	20Kg	280	28	39
12 Lead	6Kg	990	99	135
	9Kg	610	61	77
	12Kg	440	44	55

Wall Installation		A	B	C
2 Lead	12Kg	93	64	640
	18Kg	58	40	400
	25Kg	41	28	280
6 Lead	8Kg	107	77	770
	12Kg	68	48	480
	20Kg	39	28	280
12 Lead	6Kg	135	99	990
	9Kg	88	61	610
	12Kg	63	44	440

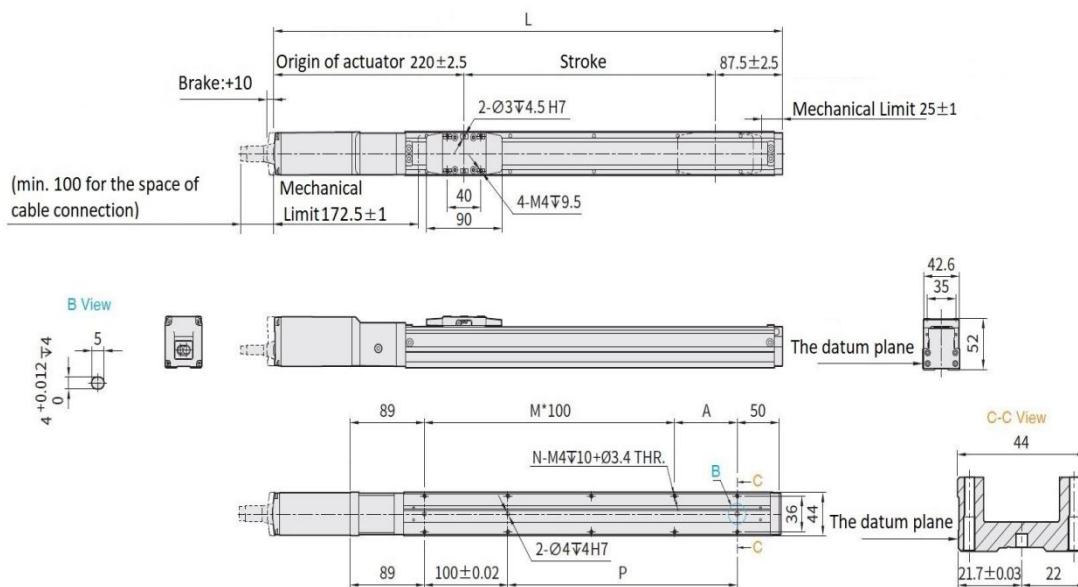
Vertical Installation		A	C
2 Lead	3.6kg	246	246
	5.4kg	165	165
	8kg	116	116
6 Lead	3.2kg	215	215
	5.4kg	140	140
	8kg	99	99
12 Lead	1kg	646	646
	2.3kg	288	288
	3.5kg	190	190

MY	79
MP	79
MR	116

Note:

- The torque value in the chart indicates the center of gravity.
- Operation life is 10,000Km when the product is using under the specified conditions.
- Data information is not for ceiling-mount inverse use. Contact us for the details if you want to apply ceiling-mount inverse usage

Motor Direct - D



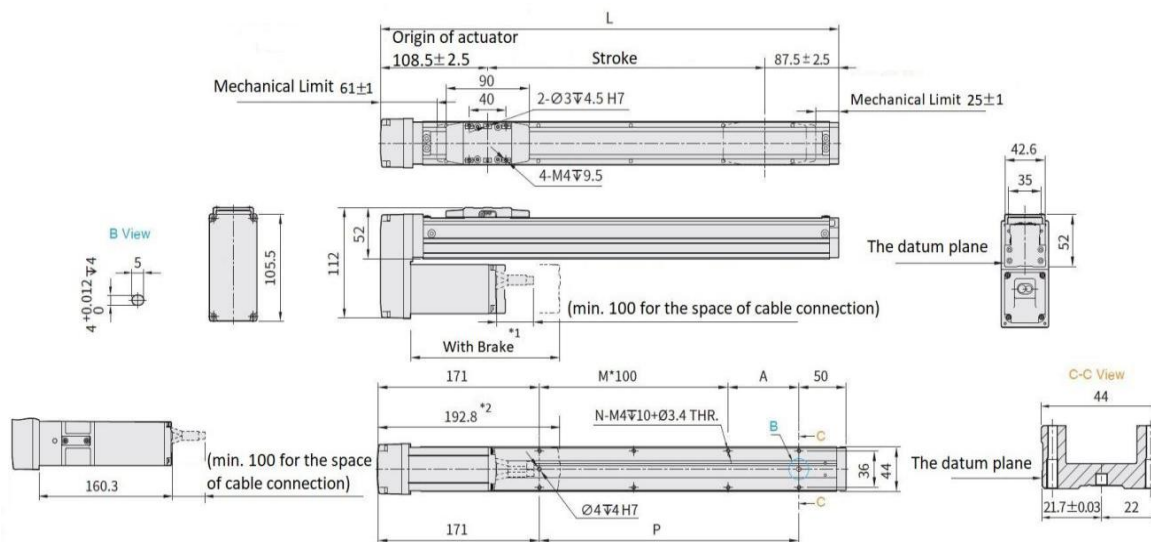
Stroke	50	100	150	200	250	300	350	400	450	500	550	600	650	700	750	800	850	900	950	1000
L	357.5	407.5	457.5	507.5	557.5	607.5	657.5	707.5	757.5	807.5	857.5	907.5	957.5	1007.5	1057.5	1107.5	1157.5	1207.5	1257.5	1307.5
A	25	75	25	75	25	75	25	75	25	75	25	75	25	75	25	75	25	75	25	75
M	1	1	2	2	3	3	4	4	5	5	6	6	7	7	8	8	9	9	10	10
N	6	6	8	8	10	10	12	12	14	14	16	16	18	18	20	20	22	22	24	24
P	25	75	125	175	225	275	325	375	425	475	525	575	625	675	725	775	825	875	925	975
*Weight(kg)	1.2	1.45	1.7	1.95	2.19	2.44	2.69	2.94	3.18	3.43	3.68	3.93	4.18	4.43	4.68	4.93	5.18	5.43	5.68	5.93

Linear Electric Actuator

Series AELS

Cat :

Motor Bottom Side - B

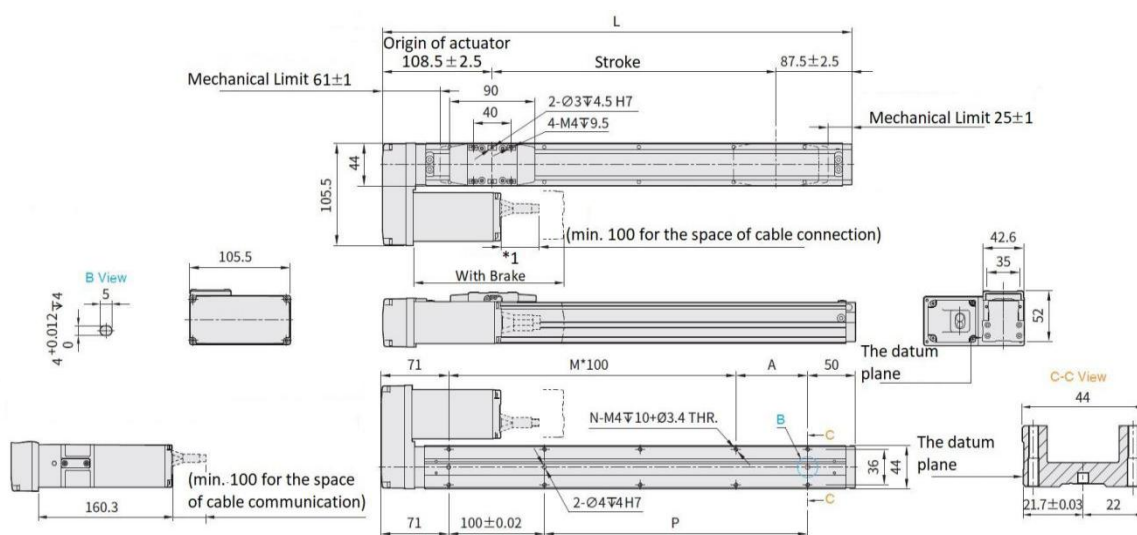


*1. When the brake is added, dimension and outside will be changed as above *2. When choosing brake, please check if the fixed holes match demand.

Stroke	50	100	150	200	250	300	350	400	450	500	550	600	650	700	750	800	850	900	950	1000
L	246	296	346	396	446	496	546	596	646	696	746	796	846	896	946	996	1046	1096	1146	1196
A	25	75	25	75	25	75	25	75	25	75	25	75	25	75	25	75	25	75	25	75
M	0	0	1	1	2	2	3	3	4	4	5	5	6	6	7	7	8	8	9	9
N	4	4	6	6	8	8	10	10	12	12	14	14	16	16	18	18	20	20	22	22
P	25	75	125	175	225	275	325	375	425	475	525	575	625	675	725	775	825	875	925	975
*Weight(kg)	1.46	1.71	1.96	2.2	2.45	2.7	2.95	3.19	3.44	3.69	3.94	4.19	4.44	4.69	4.94	5.19	5.44	5.69	5.94	6.19

(Note : When motor with brake assembled on lower side, or the total length over than spec limit, it may not use standard pin hole. Please contact us if you need more information.)

Motor Left Side - L



*1. When the brake is added, dimension and outside will be changed as below

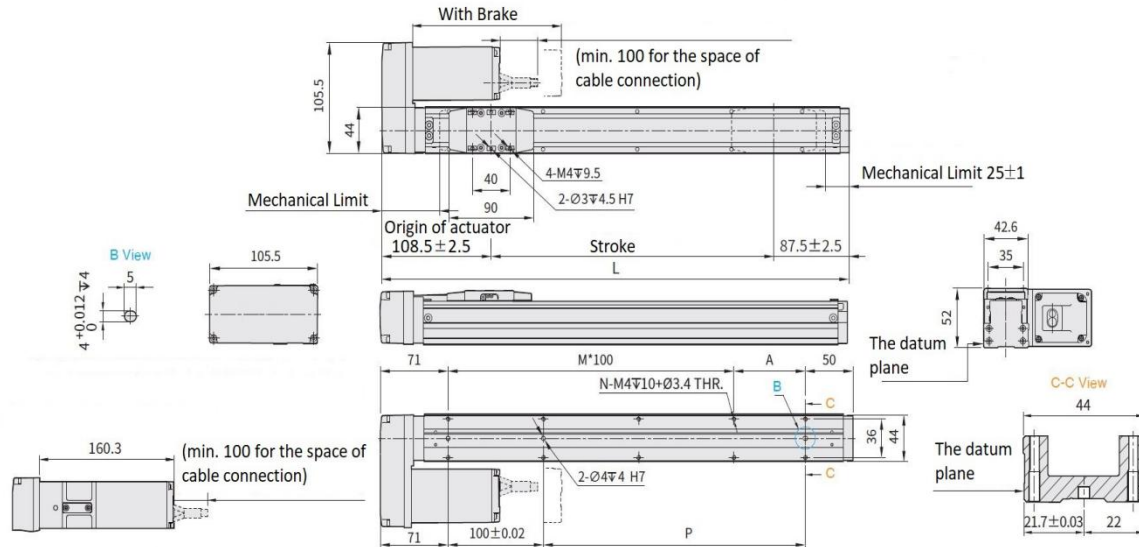
Stroke	50	100	150	200	250	300	350	400	450	500	550	600	650	700	750	800	850	900	950	1000
L	246	296	346	396	446	496	546	596	646	696	746	796	846	896	946	996	1046	1096	1146	1196
A	25	75	25	75	25	75	25	75	25	75	25	75	25	75	25	75	25	75	25	75
M	1	1	2	2	3	3	4	4	5	5	6	6	7	7	8	8	9	9	10	10
N	6	6	8	8	10	10	12	12	14	14	16	16	18	18	20	20	22	22	24	24
P	25	75	125	175	225	275	325	375	425	475	525	575	625	675	725	775	825	875	925	975
*Weight(kg)	1.46	1.71	1.96	2.2	2.45	2.7	2.95	3.19	3.44	3.69	3.94	4.19	4.44	4.69	4.94	5.19	5.44	5.69	5.94	6.19

Linear Electric Actuator

Series AELS

Cat :

Motor Right Side - R



*1. When the brake is added, dimension and outer side will be changed as below

Stroke	50	100	150	200	250	300	350	400	450	500	550	600	650	700	750	800	850	900	950	1000
L	246	296	346	396	446	496	546	596	646	696	746	796	846	896	946	996	1046	1096	1146	1196
A	25	75	25	75	25	75	25	75	25	75	25	75	25	75	25	75	25	75	25	75
M	1	1	2	2	3	3	4	4	5	5	6	6	7	7	8	8	9	9	10	10
N	6	6	8	8	10	10	12	12	14	14	16	16	18	18	20	20	22	22	24	24
P	25	75	125	175	225	275	325	375	425	475	525	575	625	675	725	775	825	875	925	975
*Weight(kg)	1.46	1.71	1.96	2.2	2.45	2.7	2.95	3.19	3.44	3.69	3.94	4.19	4.44	4.69	4.94	5.19	5.44	5.69	5.94	6.19

How to order

AELS044	Lead	Stroke	Motor Position	Motor Specification
	02 2mm	0050-1000mm	D Direct	Step-Servo
	06 6mm		L Left Side	S Step - Servo
			R Right Side	
			B Bottom Side	
	Brake	Motor & Encoder Cable	I/O Cable	Customization Order no
	Without Brake	1 1m	A 1.5m(Stand.)	XXXX Special Requirements
	B With Brake	3 3m		
		5 5m		
		T 10m		

Example :

Order no. for Rodless type ball screw electric actuator 44mm size, 2mm Lead, 50mm stroke with step-servo motor mounted at the motor Direct, With 3m Motor & Encoder cable and 1.5m I/O cable.
AELS044020050D-S-3A

Linear Electric Actuator

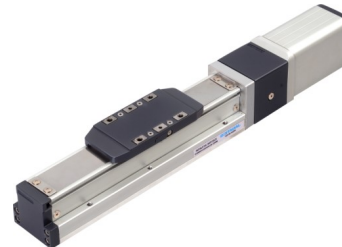
Series AELS

Cat :

Rod less Type Ball Screw Actuator - 54mm(Step-servo)

Features

- Compact Robust Design
- Highly flexible mounting
- More Precise & positioning
- Ease of positioning
- Ease of Maintenance



Technical Specifications

Repeatability (mm)	±0.01				
Ball Screw Lead (mm)	2	5	10	20	
Maximum Speed *	Horizontal (mm/s)	≤ 100	≤ 250	≤ 500	≤ 1000
	Vertical (mm/s)	≤ 100	≤ 250	≤ 500	≤ 1000
Maximum Payload	Horizontal (Kg)	≤ 30	≤ 30	≤ 15	≤ 10
	Vertical (Kg)	≤ 10	≤ 10	≤ 5	≤ 2.5
Rated Thrust (N)	1147	459	229	115	
Stroke(mm)**	50-1050mm				
Ball Screw Ø (mm)	C7 Ø 12				
Motor dimension (mm)	42□				

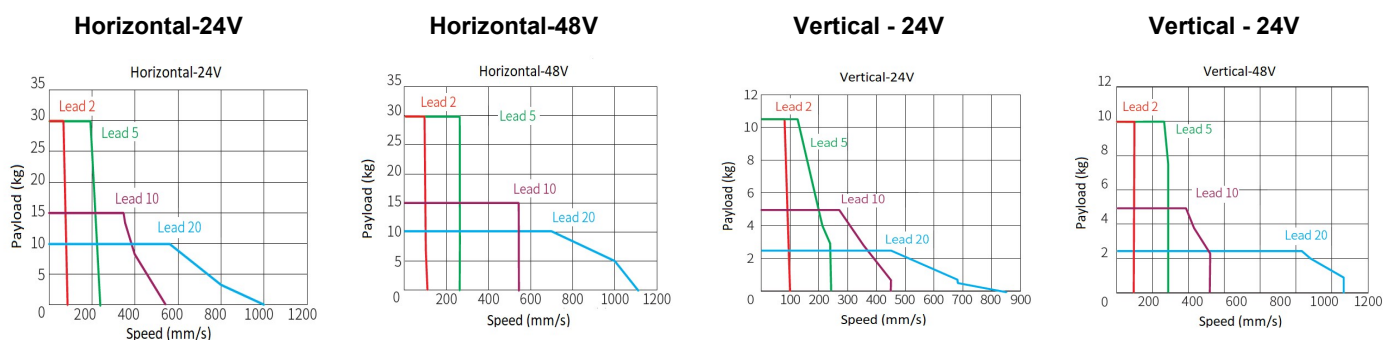
* Acceleration and deceleration value is set 0.2 second

** When the stroke is over 600mm the run-out of the ball screw will occur. We recommend to low down the working speed under circumstances. Please refer to P1.18 for details.

Corresponding Controller Chart

Controller	Controller model	Controller mode	Features	Electrical specification
	JC100	Pulse control Mode	Support line driver and open controller max. pulse receiving speed 200k/60k Hz	The voltage of control circuit is 24V. Operating voltage DC24V, rated current 2A, peak current 3A.
		IO control mode	By IO Control, max.127 position points, can be executed.	Operating voltage DC48V, rated current 1A, peak current 2A.
		Communication control mode	Use Mod bus as the interface of RS485(Connect max.16 controllers) and 1 set mini USB	When the voltage is DC48V but same torque, the rotation speed will be raised.

Speed-Payload Curve Diagram

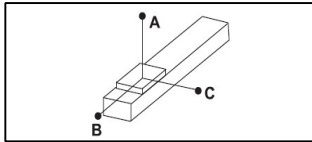


Linear Electric Actuator

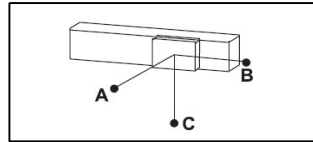
Series AELS

Cat :

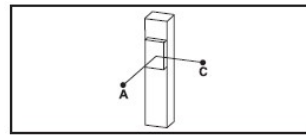
Allowable Moment



Unit:mm

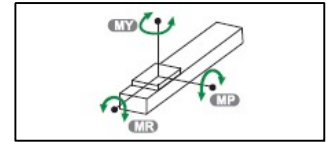


Unit:mm



Unit:mm

Static loading moment



Unit:Nm

Horizontal Installation		A	B	C
2 Lead	10Kg	1290	129	180
	18Kg	680	68	95
	30Kg	380	38	53
5 Lead	9Kg	1140	114	155
	18Kg	540	54	74
	30Kg	290	29	41
10 Lead	6Kg	1414	59	204
	9Kg	1060	106	139
	15Kg	610	61	81
20 Lead	5Kg	1660	166	198
	7Kg	1200	120	145
	10Kg	700	88	112

Wall Installation		A	B	C
2 Lead	10Kg	180	129	1290
	18Kg	95	68	680
	30Kg	53	38	380
5 Lead	9Kg	155	114	1140
	18Kg	74	54	540
	30Kg	41	29	290
10 Lead	6Kg	204	159	1414
	9Kg	139	106	1060
	15Kg	81	61	610
20 Lead	5Kg	198	166	829
	7Kg	145	120	660
	10Kg	112	88	700

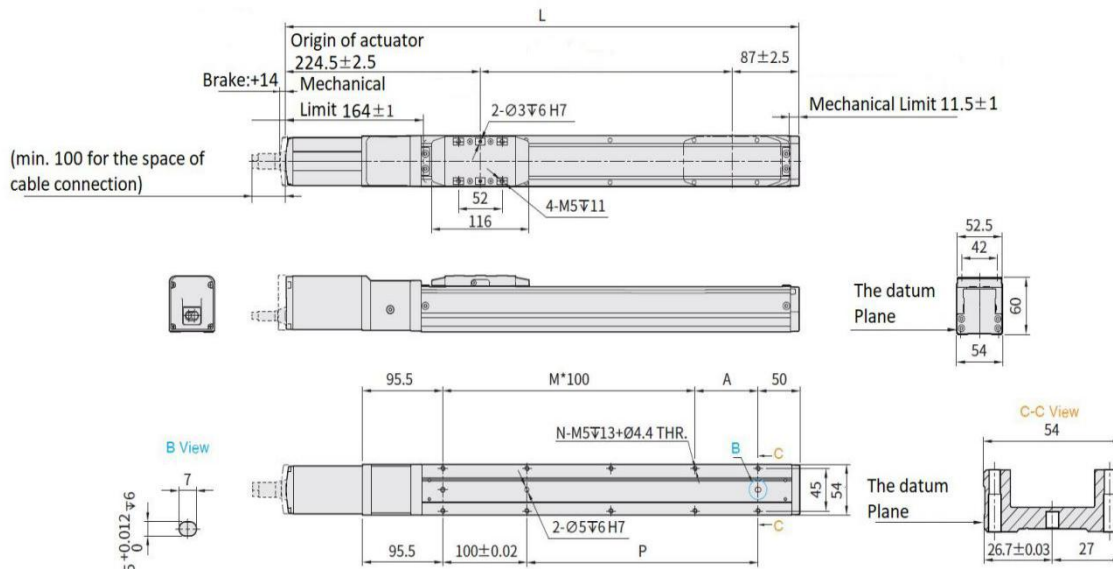
Vertical Installation		A	C
2 Lead	5.4Kg	257	257
	8.1Kg	175	175
	10Kg	143	143
	4.5Kg	277	277
5 Lead	8.1Kg	161	161
	10Kg	123	123
	0.9Kg	1120	1120
10 Lead	2.7Kg	392	392
	5Kg	217	217
	0.9Kg	1023	1023
20 Lead	1.4Kg	677	677
	2.5Kg	396	396

MY	103
MP	103
MR	144

Note:

- The torque value in the chart indicates the center of gravity.
- Operation life is 10,000Km when the product is using under the specified conditions.
- Data information is not for ceiling-mount inverse use. Contact us for the details if you want to apply ceiling-mount inverse usage

Motor Direct - D



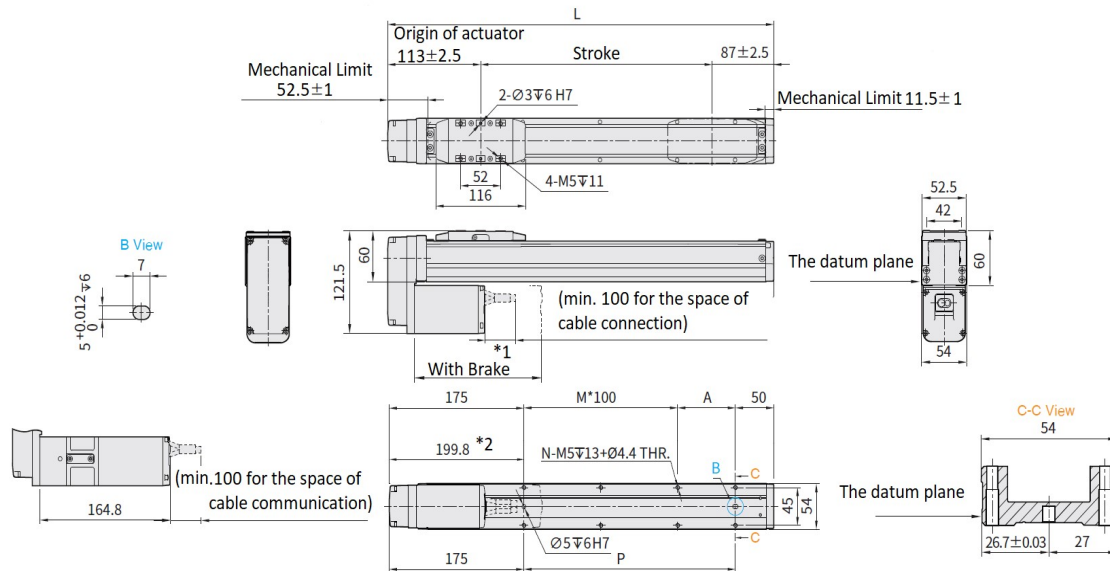
Stroke	50	100	150	200	250	300	350	400	450	500	550	600	650	700	750	800	850	900	950	1000	1050
L	361.5	411.5	461.5	511.5	561.5	611.5	661.5	711.5	761.5	811.5	861.5	911.5	961.5	1011.5	1061.5	1111.5	1161.5	1111.5	1261.5	1211.5	1361.5
A	25	75	25	75	25	75	25	75	25	75	25	75	25	75	25	75	25	75	25	75	25
M	1	1	2	2	3	3	4	4	5	5	6	6	7	7	8	8	9	9	10	10	11
N	6	6	8	8	10	10	12	12	14	14	16	16	18	18	20	20	22	22	24	24	26
P	25	75	125	175	225	275	325	375	425	475	525	575	625	675	725	775	825	875	925	975	1025
*Weight(kg)	1.97	2.18	2.4	2.62	2.83	3.05	3.27	3.48	3.7	3.92	4.13	4.35	4.57	4.78	5	5.22	5.44	5.66	5.88	6.1	6.32

Linear Electric Actuator

Series AELS

Cat :

Motor Bottom Side - B



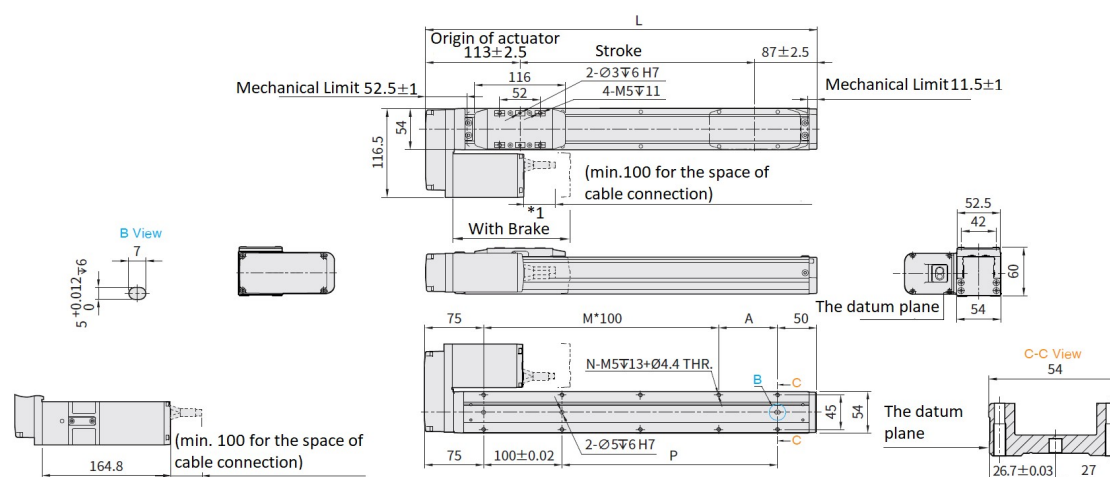
*1. When the brake is added, dimension and outer side will be changed as above

*2. When choosing brake, please check if fixed holes match demand

Stroke	50	100	150	200	250	300	350	400	450	500	550	600	650	700	750	800	850	900	950	1000	1050
L	250	300	350	400	450	500	550	600	650	700	750	800	850	900	950	1000	1050	1100	1150	1200	1250
A	25	75	25	75	25	75	25	75	25	75	25	75	25	75	25	75	25	75	25	75	25
M	0	0	1	1	2	2	3	3	4	4	5	5	6	6	7	7	8	8	9	9	10
N	4	4	6	6	8	8	10	10	12	12	14	14	16	16	18	18	20	20	22	22	24
P	25	75	125	175	225	275	325	375	425	475	525	575	625	675	725	775	825	875	925	975	1025
*Weight(kg)	2.34	2.54	2.73	2.93	3.13	3.32	3.52	3.72	3.91	4.11	4.31	4.5	4.7	4.9	5.09	5.29	5.49	5.69	5.89	6.09	6.29

(Note : When motor with brake assembled on lower side, or the total length over than spec limit, it may not use standard pin hole. Please contact us if you need more information.)

Motor Left Side - L



*1. When the brake is added, dimension and outer side will be changed as below:

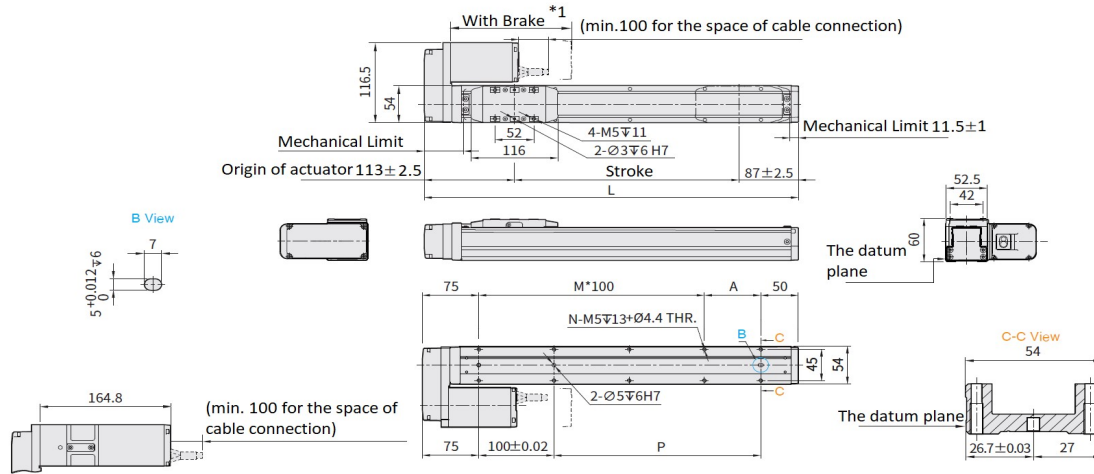
Stroke	50	100	150	200	250	300	350	400	450	500	550	600	650	700	750	800	850	900	950	1000	1050
L	250	300	350	400	450	500	550	600	650	700	750	800	850	900	950	1000	1050	1100	1150	1200	1250
A	25	75	25	75	25	75	25	75	25	75	25	75	25	75	25	75	25	75	25	75	25
M	1	1	2	2	3	3	4	4	5	5	6	6	7	7	8	8	9	9	10	10	11
N	6	6	8	8	10	10	12	12	14	14	16	16	18	18	20	20	22	22	24	24	26
P	25	75	125	175	225	275	325	375	425	475	525	575	625	675	725	775	825	875	925	975	1025
*Weight(kg)	2.34	2.54	2.73	2.93	3.13	3.32	3.52	3.72	3.91	4.11	4.31	4.5	4.7	4.9	5.09	5.29	5.49	5.69	5.89	6.09	6.29

Linear Electric Actuator

Series AELS

Cat :

Motor Right Side - R



*1. When the brake is added, dimension and outside will be changed as below:

Stroke	50	100	150	200	250	300	350	400	450	500	550	600	650	700	750	800	850	900	950	1000	1050
L	250	300	350	400	450	500	550	600	650	700	750	800	850	900	950	1000	1050	1100	1150	1200	1250
A	25	75	25	75	25	75	25	75	25	75	25	75	25	75	25	75	25	75	25	75	25
M	1	1	2	2	3	3	4	4	5	5	6	6	7	7	8	8	9	9	10	10	11
N	6	6	8	8	10	10	12	12	14	14	16	16	18	18	20	20	22	22	24	24	26
P	25	75	125	175	225	275	325	375	425	475	525	575	625	675	725	775	825	875	925	975	1025
*Weight(kg)	2.34	2.54	2.73	2.93	3.13	3.32	3.52	3.72	3.91	4.11	4.31	4.5	4.7	4.9	5.09	5.29	5.49	5.69	5.89	6.09	6.29

How to order

AELS054	●	Lead		●	Stroke		●	Motor Position		●	Motor Specification	
	02	2mm		0050-1050mm		D	Direct		Step-Servo			
	05	5mm				L	Left Side		S	Step - Servo		
	10	10mm				R	Right Side					
	20	20mm				B	Bottom Side					
	●	Brake		●	Motor & Encoder Cable		●	I/O Cable		●	Customization Order no	
		Without Brake		1	1m		A	1.5m (Stand.)		XXXX	Special Requirements	
	B	With Brake		3	3m							
				5	5m							
				T	10m							

Example :

Order no. for Rodless type ball screw electric actuator 54mm size, 2mm Lead, 50mm stroke with delta 100W servo motor mounted at the motor Direct, With 3m Motor & Encoder cable and 1.5m I/O cable.

AELS054020050D-DB-3A

Linear Electric Actuator

Series AELS

Cat :

Speed Stroke Characteristics:

Size (mm)	Motor Dimension (mm)	Ball Screw Lead (mm)	Max. Payload (kg)		Max. Speed* (mm/s)	Stroke(mm) & MaxSpeed (m/s)**																					
			Horizontal	Vertical		50	100	150	200	250	300	350	400	450	500	550	600	650	700	750	800	850	900	950	1000	1050	
44	35	2	25	8	100	≤ 100										≤90	≤80	≤70	≤60	≤50	≤43	≤40	≤36	≤33			
		6	20	8	300	≤ 300										≤270	≤240	≤210	≤180	≤150	≤130	≤120	≤110	≤100			
		12	12	305	600	≤ 600										≤540	≤480	≤420	≤360	≤300	≤260	≤240	≤220	≤200			
54	42	2	30	10	100	≤ 100										≤90	≤80	≤70	≤60	≤50	≤43	≤40	≤36	≤33			
		5	30	10	250	≤ 250										≤225	≤200	≤175	≤150	≤125	≤116	≤100	≤91	≤83			
		10	15	5	500	≤ 500										≤450	≤400	≤350	≤300	≤250	≤233	≤200	≤183	≤166			
		20	10	2.5	1000	≤ 1000										≤900	≤800	≤700	≤600	≤500	≤466	≤400	≤366	≤333			

*The Working Condition of Max.Speed is restricted limited.Please refer to the curve graph of speed and loading in this catalog

**Written here is the standard stroke's maximum safe speed with in stroke. If over this speed, it may cause serious vibration.

The values in this table represent the maximum linear speed under zero load condition.

Linear Electric Actuator

Series AERS

Cat :

Rod Type Ball Screw Actuator Series



Size (in mm)	Repeatability (in mm)	Ball screw Lead (in mm)	Max Speed (in mm/s)	Max. Pay load (in kg)		Stroke (in mm)
				Horizontal	Vertical	
44	±0.01	2	≲ 100	≲ 25	≲ 8	50-500
		6	≲ 300	≲ 20	≲ 8	
		12	≲ 600	≲ 12	≲ 3.5	
54		2	≲ 100	≲ 30	≲ 10	50-600
		5	≲ 250	≲ 30	≲ 10	
		10	≲ 500	≲ 15	≲ 5	
	20	≲ 1000	≲ 10	≲ 2.5		

Linear Electric Actuator

Series AERS

Cat :

Rod Type Ball Screw Actuator - 44mm

Features

- Compact robust design
- Highly flexible mounting
- More precise & positioning
- Ease of positioning
- Ease of maintenance



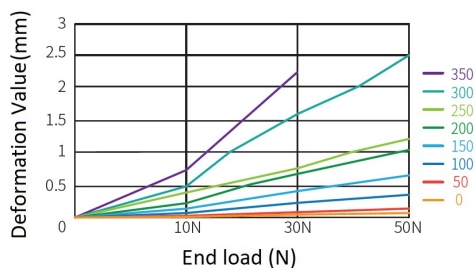
Technical Specifications

Repeatability (mm)		±0.01		
Ball screw lead (mm)		2	6	12
Maximum speed*	Horizontal (mm/s)*	≤ 100	≤ 300	≤ 600
	Vertical (mm/s)	≤ 100	≤ 300	≤ 600
Maximum payload**	Horizontal (Kg)**	≤ 25	≤ 20	≤ 12
	Vertical (Kg)	≤ 8	≤ 8	≤ 3.5
Rated thrust (N)		1094	365	182
Stroke (mm)		50-500mm		
Ball screw Ø (mm)		C7 Ø 10		
Coupling (mm)		7x8		
Home sensor	Outside	CS-6T (NPN)		

*The maximum speed shown here is when software speed setting is 100%.

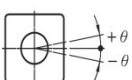
**If payload is near maximum, it requires to collocate externally with auxiliary guideway for bearing radial load.

Shaft output deformation value



This form is only reference values

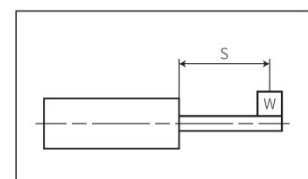
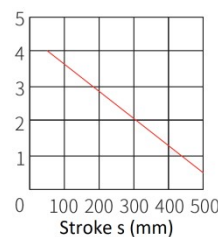
Anti-rotating accuracy of rod



Anti-rotating accuracy
±0°

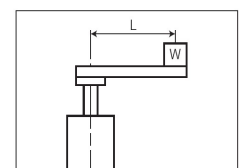
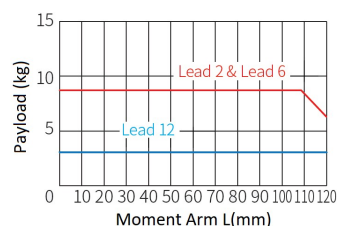
With built-in circular guideway, so the rod shaft of actuator does not rotate.

Allowable installation load



No external auxiliary mechanism, extension distance of load = 0.

Load in vertical installation



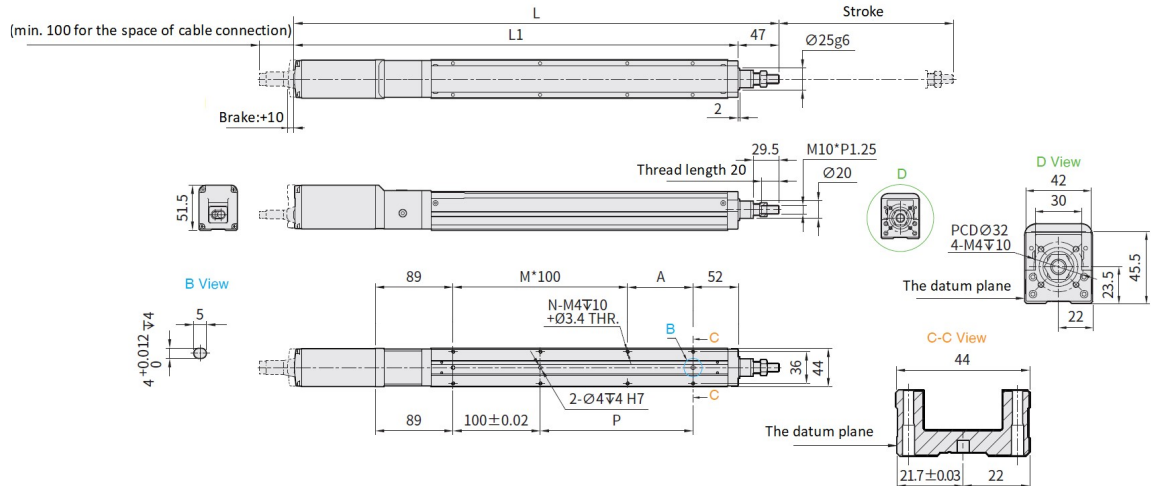
Calculation conditions: 3000rpm/min, acceleration and deceleration: 0.3s

Linear Electric Actuator

Series AERS

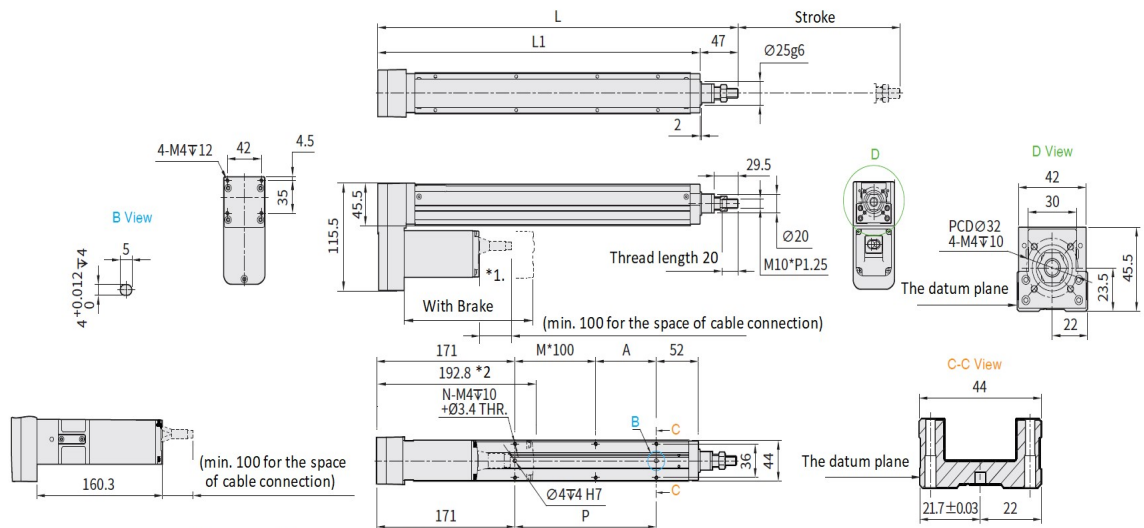
Cat :

Motor Direct - D



Stroke	50	100	150	200	250	300	350	400	450	500
L	406.5	456.5	506.5	556.5	606.5	656.5	706.5	756.5	806.5	856.5
L1	359.5	409.5	459.5	509.5	559.5	609.5	659.5	709.5	759.5	809.5
A	25	75	25	75	25	75	25	75	25	75
M	1	1	2	2	3	3	4	4	5	5
N	6	6	8	8	10	10	12	12	14	14
P	25	75	125	175	225	275	325	375	425	475
*Weight(kg)	1.33	1.58	1.83	2.08	2.32	2.57	2.82	3.07	3.31	3.56

Motor Bottom Side - B



*1. When the brake is added, dimension and outer side will be changed as above: *2. When choosing brake, please check if the fixed holes match demand.

Stroke	50	100	150	200	250	300	350	400	450	500
L	295	345	395	445	495	545	595	645	695	745
L1	248	298	348	398	448	498	548	598	648	698
A	25	75	25	75	25	75	25	75	25	75
M	0	0	1	1	2	2	3	3	4	4
N	4	4	6	6	8	8	10	10	12	12
P	25	75	125	175	225	275	325	375	425	475
*Weight(kg)	1.63	1.88	2.13	2.38	2.62	2.87	3.12	3.37	3.61	3.86

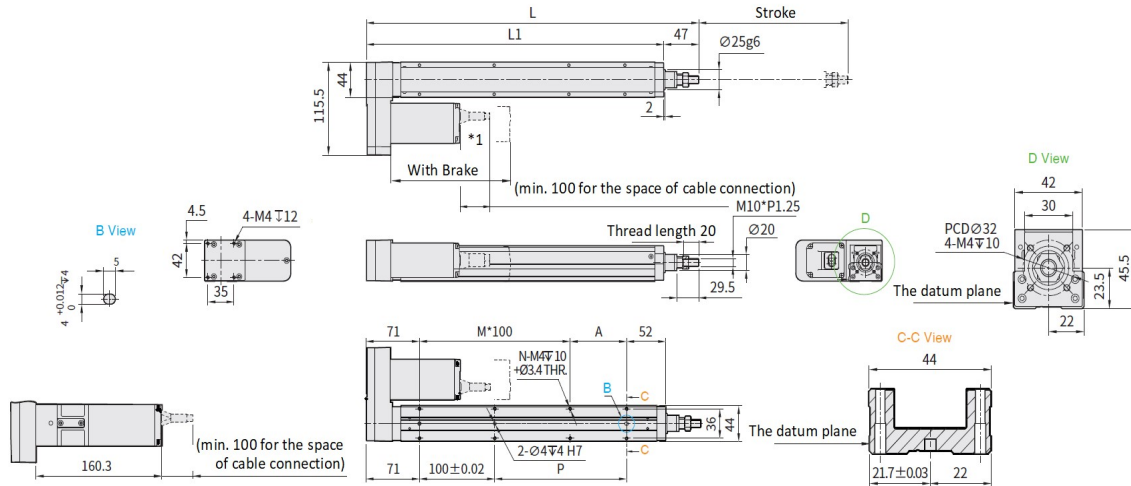
(Note: When motor with brake assembled on lower side, or the total length over than spec limit, it may not use standard pinhole. Please contact us if you need more information.)

Linear Electric Actuator

Series AERS

Cat :

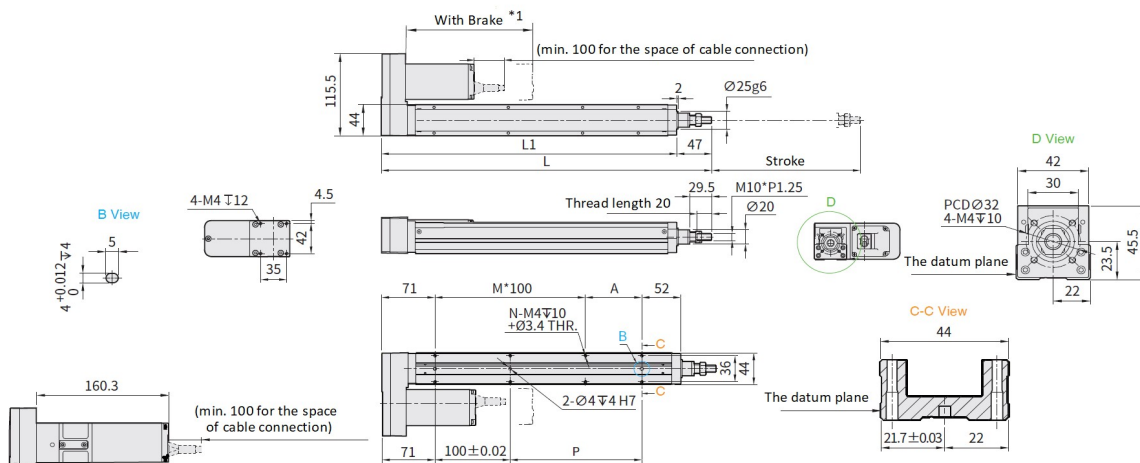
Motor Left Side - L



*1. When the brake is added, dimension and outer side will be changed as below:

Stroke	50	100	150	200	250	300	350	400	450	500
L	295	345	395	445	495	545	595	645	695	745
L1	248	298	348	398	448	498	548	598	648	698
A	25	75	25	75	25	75	25	75	25	75
M	1	1	2	2	3	3	4	4	5	5
N	6	6	8	8	10	10	12	12	14	14
P	25	75	125	175	225	275	325	375	425	475
*Weight(kg)	1.63	1.88	2.13	2.38	2.62	2.87	3.12	3.37	3.61	3.86

Motor Right Side - R



*1. When the brake is added, dimension and outer side will be changed as below:

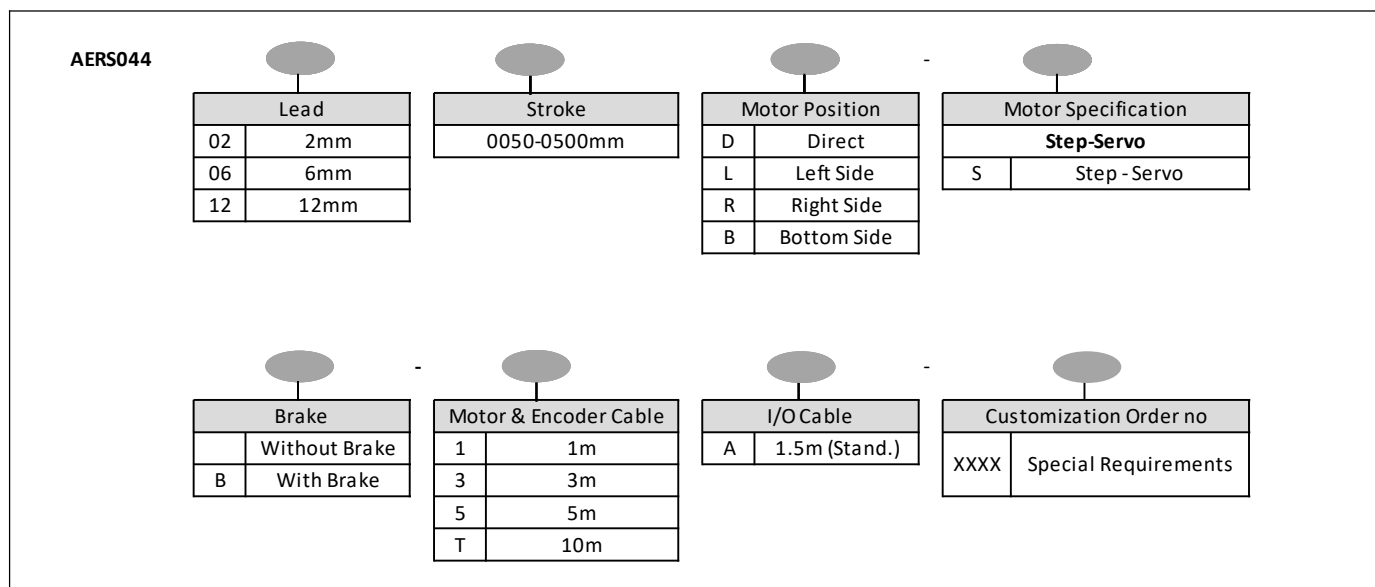
Stroke	50	100	150	200	250	300	350	400	450	500
L	295	345	395	445	495	545	595	645	695	745
L1	248	298	348	398	448	498	548	598	648	698
A	25	75	25	75	25	75	25	75	25	75
M	1	1	2	2	3	3	4	4	5	5
N	6	6	8	8	10	10	12	12	14	14
P	25	75	125	175	225	275	325	375	425	475
*Weight(kg)	1.63	1.88	2.13	2.38	2.62	2.87	3.12	3.37	3.61	3.86

Linear Electric Actuator

Series AERS

Cat :

How to order



Example:

Order no. for Rod type ball screw electric actuator 44mm size, 6mm Lead, 200mm stroke with step-servo motor mounted at the motor Direct, With 3m Motor & Encoder cable and 1.5m I/O cable.

AERS044060200D-S-3A

Linear Electric Actuator

Series AERS

Cat :

Rod Type Ball Screw Actuator - 54mm

Features

- Compact robust design
- Highly flexible mounting
- More precise & positioning
- Ease of positioning
- Ease of maintenance



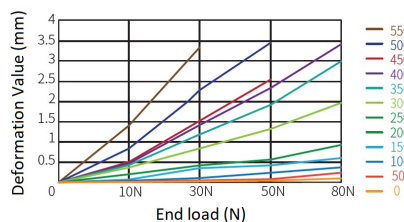
Technical Specifications

Repeatability (mm)		±0.01			
Ball screw lead (mm)		2	5	10	20
Maximum speed*	Horizontal (mm/s)*	≤ 100	≤ 250	≤ 500	≤ 1000
	Vertical (mm/s)	≤ 100	≤ 250	≤ 500	≤ 1000
Maximum payload	Horizontal (Kg)**	≤ 30	≤ 30	≤ 15	≤ 10
	Vertical (Kg)	≤ 10	≤ 10	≤ 5	≤ 2.5
Rated thrust (N)		1147	459	229	115
Stroke / pitch (mm)		50-600mm / 50 mm Pitch			
Ball screw ø (mm)		C7 Ø 12			
Coupling (mm)		7x8			
Home sensor	Outside	CS-6T (NPN)			

*The maximum speed shown here is when software speed setting is 100%.

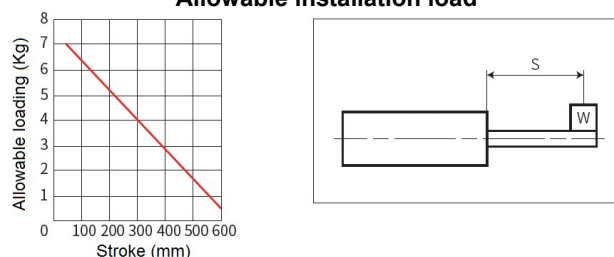
**If payload is near maximum, it requires to collocate externally with auxiliary guideway for bearing radial load.

Shaft output deformation value



This form is only reference values

Allowable installation load

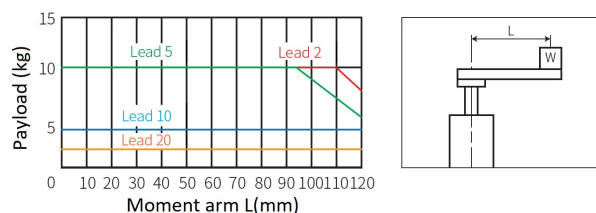


No external auxiliary mechanism, extension distance of load =0.

Anti-rotating accuracy of rod



Load in vertical installation



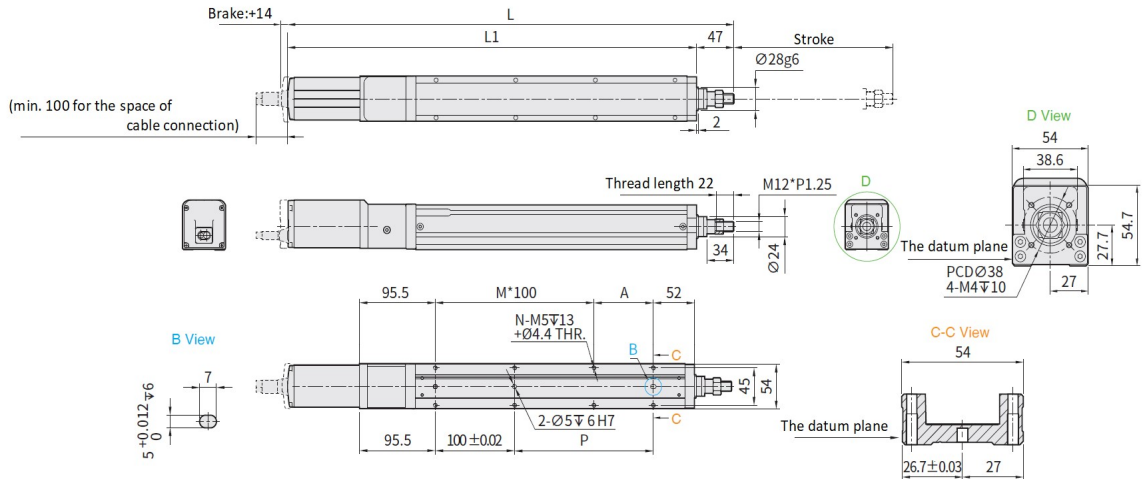
Calculation Conditions: 3000rpm/min, acceleration and deceleration: 0.3s

Linear Electric Actuator

Series AERS

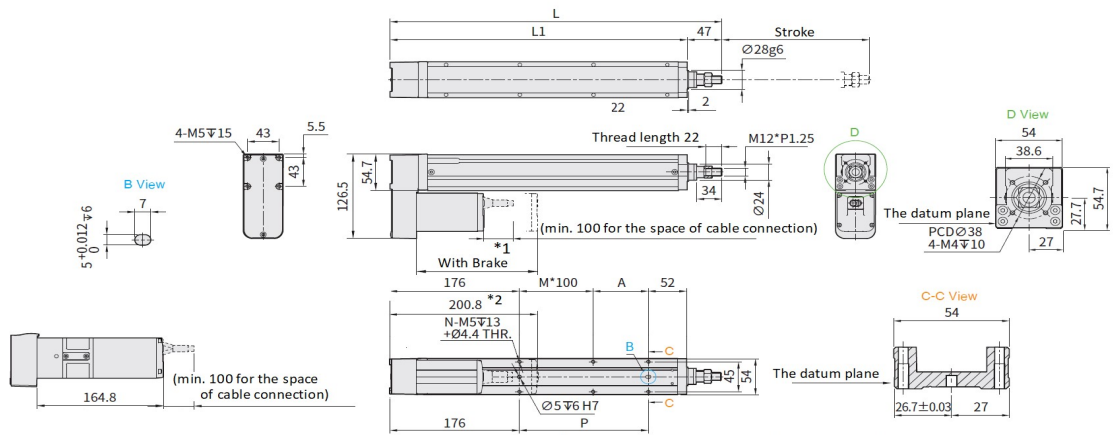
Cat :

Motor Direct - D



Stroke	50	100	150	200	250	300	350	400	450	500	550	600
L	411	461	511	561	611	661	711	761	811	861	911	961
L1	364	414	464	514	564	614	664	714	764	814	864	914
A	25	75	25	75	25	75	25	75	25	75	25	75
M	1	1	2	2	3	3	4	4	5	5	6	6
N	6	6	8	8	10	10	12	12	14	14	16	16
P	25	75	125	175	225	275	325	375	425	475	525	575
*Weight(kg)	1.91	2.12	2.34	2.56	2.77	2.99	3.21	3.42	3.64	3.86	4.07	4.29

Motor Bottom Side - B



*1. When the brake is added, dimension and outer side will be changed as above:

*2. When choosing brake, please check if the fixed holes match demand.

Stroke	50	100	150	200	250	300	350	400	450	500	550	600
L	300	350	400	450	500	550	600	650	700	750	800	850
L1	253	303	353	403	453	503	553	603	653	703	753	803
A	25	75	25	75	25	75	25	75	25	75	25	75
M	0	0	1	1	2	2	3	3	4	4	5	5
N	4	4	6	6	8	8	10	10	12	12	14	14
P	25	75	125	175	225	275	325	375	425	475	525	575
*Weight(kg)	2.3	2.49	2.69	2.89	3.08	3.28	3.48	3.67	3.87	4.07	4.26	4.46

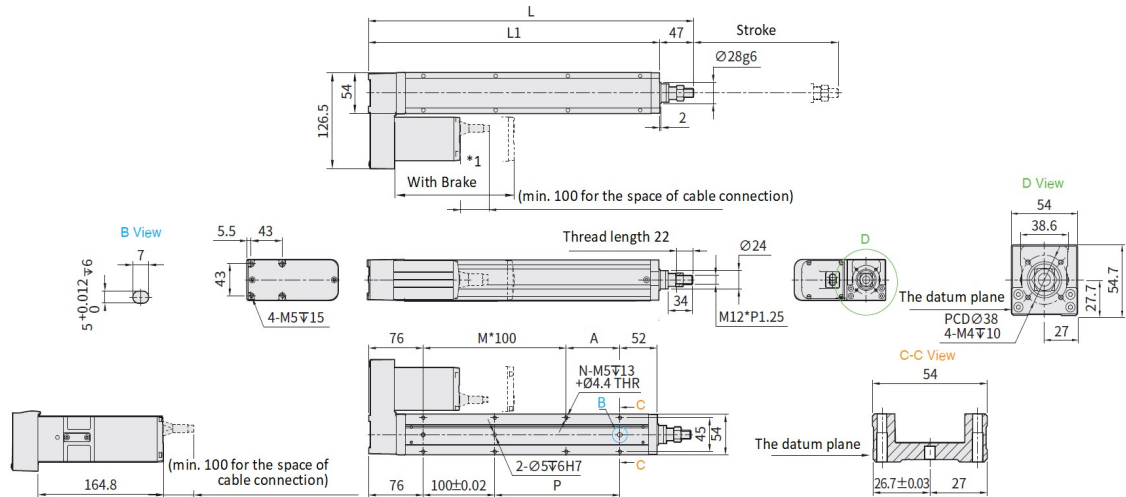
(Note: When motor with brake assembled on lower side, or the total length over than spec limit, it may not use standard pinhole. Please contact us if you need more information.)

Linear Electric Actuator

Series AERS

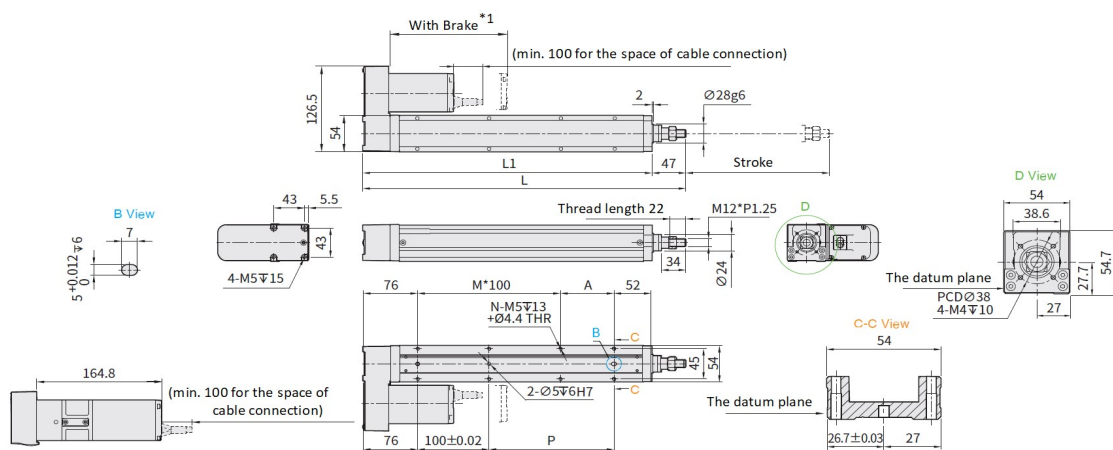
Cat :

Motor Left Side - L



Stroke	50	100	150	200	250	300	350	400	450	500	550	600
L	300	350	400	450	500	550	600	650	700	750	800	850
L1	253	303	353	403	453	503	553	603	653	703	753	803
A	25	75	25	75	25	75	25	75	25	75	25	75
M	1	1	2	2	3	3	4	4	5	5	6	6
N	6	6	8	8	10	10	12	12	14	14	16	16
P	25	75	125	175	225	275	325	375	425	475	525	575
*Weight(kg)	2.3	2.49	2.69	2.89	3.08	3.28	3.48	3.67	3.87	4.07	4.26	4.46

Motor Right Side - R



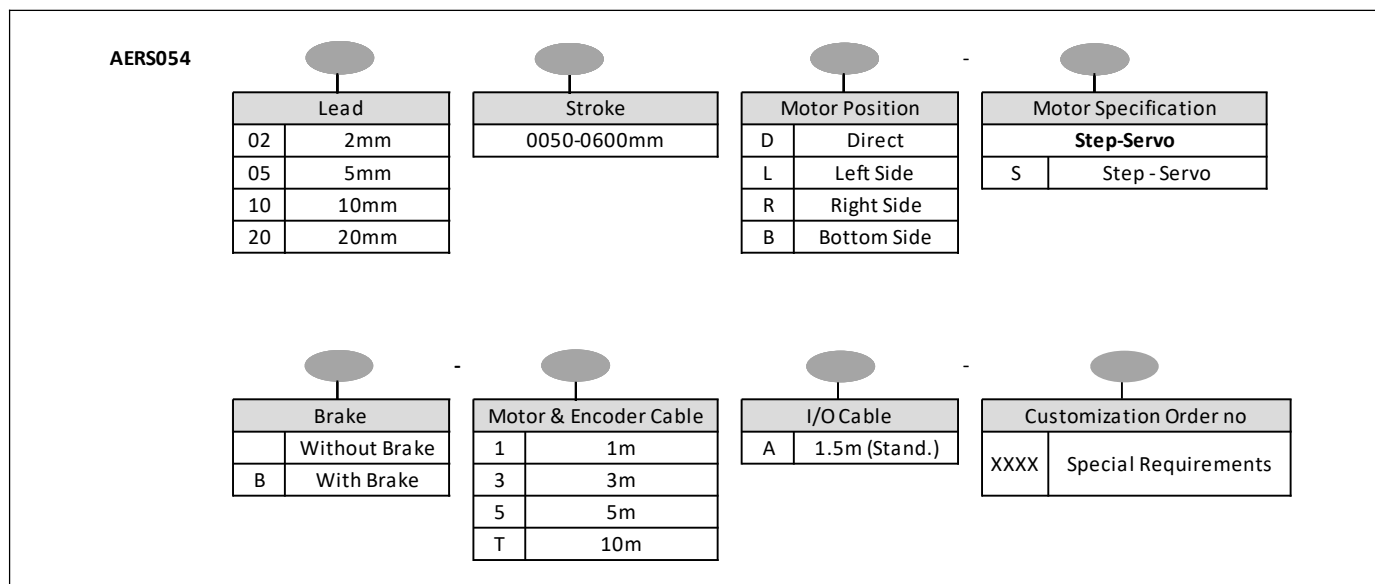
Stroke	50	100	150	200	250	300	350	400	450	500	550	600
L	300	350	400	450	500	550	600	650	700	750	800	850
L1	253	303	353	403	453	503	553	603	653	703	753	803
A	25	75	25	75	25	75	25	75	25	75	25	75
M	1	1	2	2	3	3	4	4	5	5	6	6
N	6	6	8	8	10	10	12	12	14	14	16	16
P	25	75	125	175	225	275	325	375	425	475	525	575
*Weight(kg)	2.3	2.49	2.69	2.89	3.08	3.28	3.48	3.67	3.87	4.07	4.26	4.46

Linear Electric Actuator

Series AERS

Cat :

How to order



Example:

Order no. for Rod type ball screw electric actuator 54mm size, 5mm Lead, 150mm stroke with step-servo motor mounted at the motor Direct, With 3m Motor & Encoder cable and 1.5m I/O cable.

AERS054050150D-S-3A

Linear Electric Actuator

Series AERS

Cat :

Speed – Stroke characteristics

Size (mm)	Motor Dimension (mm)	Ball Screw Lead (mm)	Max. Payload (kg)		Max. Speed* (mm/s)	Stroke(mm) & Max.Speed (m/s)**										
			Horizontal	Vertical		50	100	150	200	250	300	350	400	450	500	550
44	35	2	25	8	100	≦ 100										
		6	20	8	300	≦ 300										
		12	12	3.5	600	≦ 600										
54	42	2	30	10	100	≦ 100										
		5	30	10	250	≦ 250										
		10	15	5	500	≦ 500										
		20	10	2.5	1000	≦ 1000										

*The Working Condition of Max.Speed is restricted limited.Please refer to the curve graph of speed and loading in this catalog

**Written here is the standard stroke's maximum safe speed with in stroke. If over this speed, it may cause serious vibration.

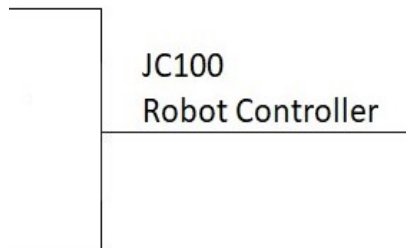
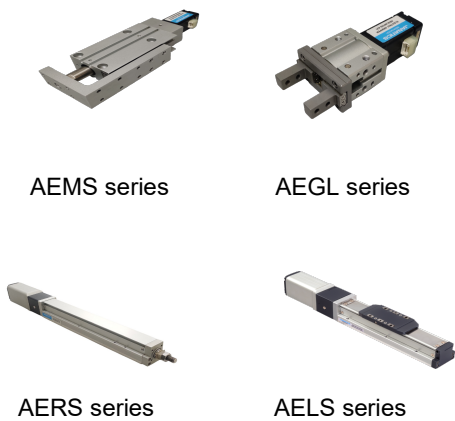
The values in this table represent the maximum linear speed under zero load condition.

Linear Electric Actuator JC 100 Controller

Cat :

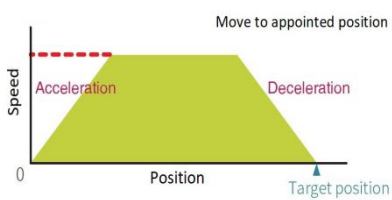
JC100

JC100 compatible to all series of module



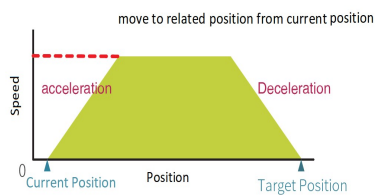
Main operation modes

ABS mode



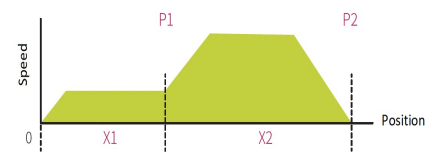
use ORG as origin, move to the appointed position.

INC mode



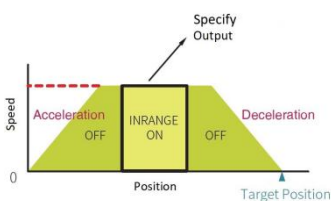
Use current position as origin, move to the relative position.

Continuous operation function (support ABS-R/INC-R mode simultaneously)



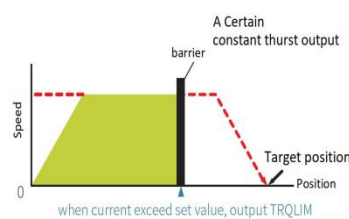
Change speed under non-stop status, the continuous operation function allow actuator moving among multiple coordinate points.

TSL thrust mode



Set up a special range. The "INRANGE" signal will be output when moving in the range. The "OFF" signal will be output when it is outside of the range.

Output signal in specified range



when current exceed set value, output TRQLIM
Set a max. Current value, when the current reach the value, it will not proceed further.

Linear Electric Actuator

JC 100 Controller

Cat :

Setting	Content
Operating mode	Position setting mode, total 7 types including INC and ABS...etc.
Moving position	Set absolute position or moving amount.
Moving speed	Set speed of movement (%)
Torque limit	Set operational current limit
Minimum Value of trigger range	Set the max and min value of the trigger range
Maximum Value of trigger range	
Acc time(m sec)	The time from accelerate speed to the setting speed
Dec time(m sec)	The time from setting speed to stop
Dowel time	Set dowel time after movement
Next item number	Jump to the next operational item after current one has ended.

Operational current auto setting

Operational current is the main factor determining the efficiency and lifetime of the robot. If the operational current is set too high, the extra performance will be wasted, or even the motor might be burnt. JC series controller can adjust operational current automatically based on the moving load, motor output and life time of the rail.

Flexible control Interface

One single unit can support 3 different control interfaces.

- **Pulse control:** Support Line Driver and Open collector Max.pulse receiving speed: 200k/60k Hz.
- **I/O control:** By I/O control, max. 127 positioning points can be executed.
- **Communication control:** use Mod bus as the interface of RS485(connect max.16 controllers) and 1 set mini USB.

Various control mode

Following control modes can be combined randomly to maximize the action mode.

- Position control
- Speed control
- Gripping force control (Electric Gripper only)
- Measure control (Electric Gripper only)
- Pushing force control

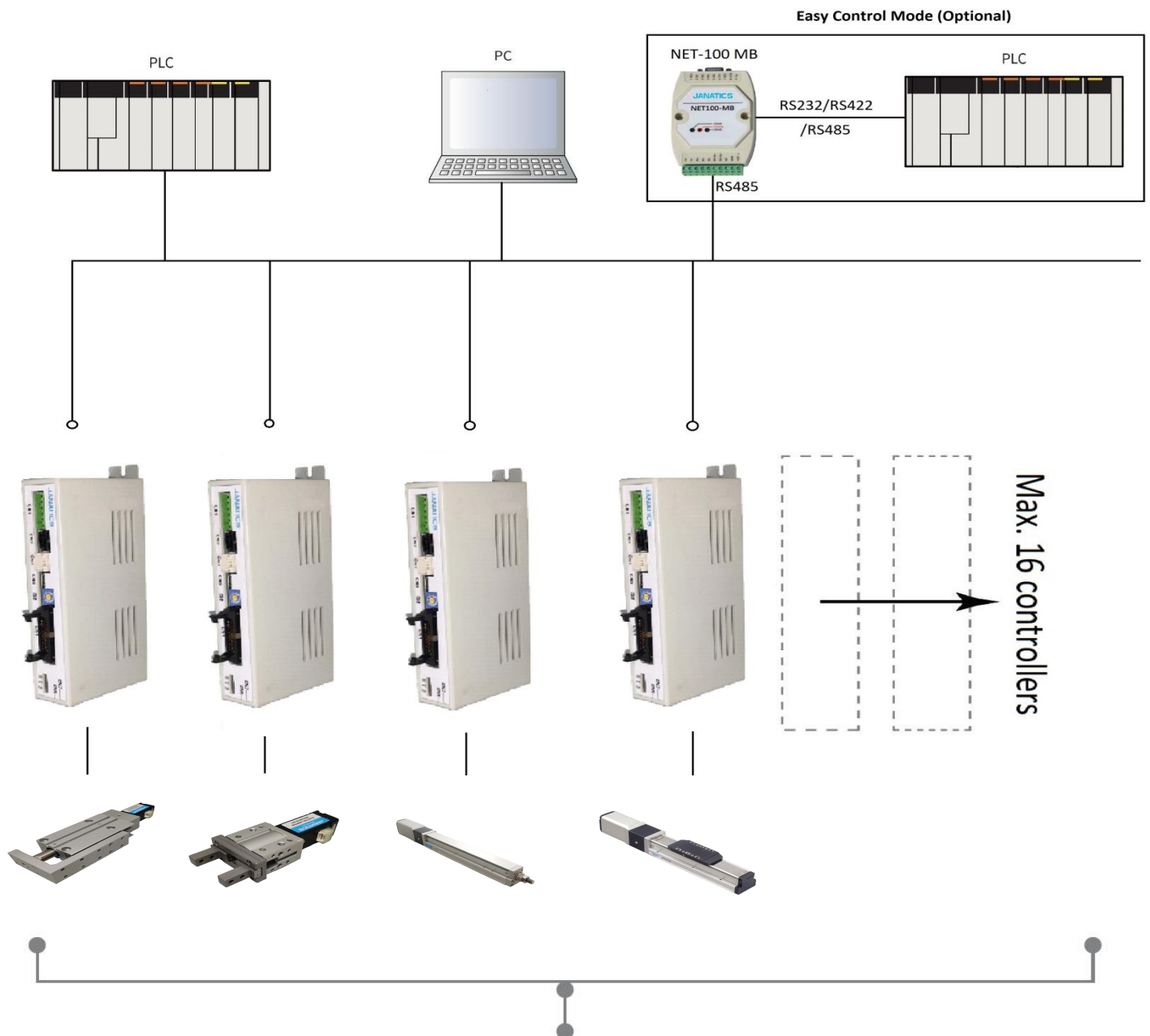
Linear Electric Actuator

JC 100 Controller

Cat :

Possible to connect 16 stations via RS-485

The user can connect PC, PLC or other devices which can transfer data via RS-485 to JC100 controller. It is very convenient to do the setting, Controlling and monitoring up to 16 units of JC100 at once.



The maximum number of connecting unit is 16.

Linear Electric Actuator

JC 100 Controller

Cat :

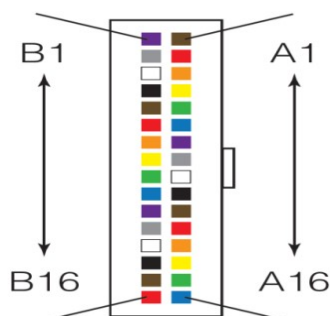
JC 100

JC100 Specification and connectors

Specification

Item		Specification
Input power	Control power	DC 24V (±10%)
	power supply	DC 24V (±10%) / DC 48V (±10%)
Number of controlled axis		1 Single axis
Motor	Appropriate motor	Two phrase stepping motor
	Dimension	56\42\35\25\20
	Rated output	2Ao-p Peak value of sine wave current
	Instant maximum Output	3Ao-p Peak value of sine wave current
Motion control mode		ABS Mode
		INC Mode
		INC-R Continuous Mode
		ABS-R Continuous Mode
		TSL Thrust Mode
Position	Total number of points	1~127 points
	Points setting method	Communication setting point position
		I/O point position teaching
Encoder	Position management	Incremental
	Position checking	Incremental
	Resolution	16000ppr(56,42)□/12800ppr(35□)/9600ppr(25□)/1600(20□)
General DI/DO signal		DI (14 points)/DO (10 points) NPN Modify definition through parameter
Brake		Optional (Please inform before buying)
Error history		Maximum storage for 50 error code
Safety circuit		Emergency stop switch (servo OFF)
Communication		USB (virtual COM port): Mini USB/RS485(half duplex):RJ-45
LED status display		PWR power supply(green): permanent radiating when drive + control power supply input, green flashing when the drive power supply was turned off.
		SON servo(green): permanent radiating when servo ON, extinguished when the error shows.
		ERR error: (red): use the times of flashing to decide the error messages.
Station number setting		Rotating DIP switch (0-f), 16 station

IO Plug



Linear Electric Actuator

JC 100 Controller

Cat :

JC100 Dimension and Terminal

Ordering model Controller

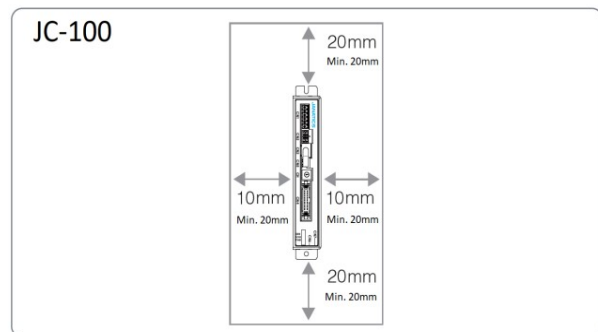
Motor Specification	
Step-Servo	
JC100	JC100 Step - Servo Controller

Controller Cables

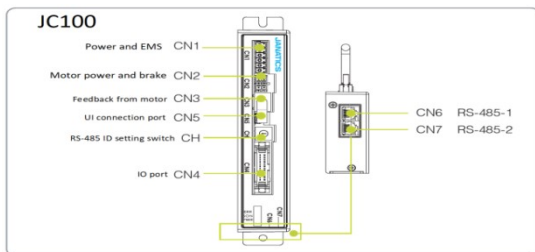
Motor & Encoder Cable	
1	1m
3	3m
5	5m
T	10m

I/O Cable	
0	Without cable
A	1.5m (Standard)

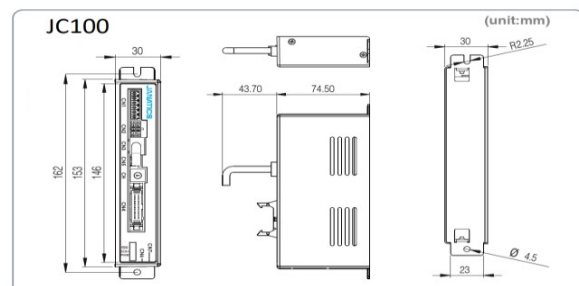
Recommended assembly method



Port explanation



Controller dimension



Restricted setting condition

1. Environment with corrosive explosive and flammable gas and combustible liquids.
2. Environment with heavy dust.
3. Locations where can be polluted by other equipment's coolant.
4. Locations with high vibrations (0.5G or above).
5. Please locate the controller as shown on the right for correct Installation Position.

IO Signal (Factory default)

No	Signal name	Content description	Note	NO	Signal name	Content description	Note
A1	COM+	I/O+24V Power	+24V±10%	B1	OUT1	ORG-S	Unset parameter: ALARM MOVE PRGSEL6-S TRQLIM ERR0 : ERR3 INRRANGE NEAR SOFTLMT
A2	COM-	I/O 0V Power	Unset parameter: ORG_SIG MANUAL JOG+ JOG- TEACH BK_OFF CONT_MODE FULL_COUNT	B2	OUT2	INP	
A3	IN1	ORG		B3	OUT3	READY	
A4	IN2	SERVO		B4	OUT4	SERVO-S	
A5	IN3	ALM_RESET		B5	OUT5	PRGSEL0-S	
A6	IN4	START		B6	OUT6	PRGSEL1-S	
A7	IN5	PRGSEL0		B7	OUT7	PRGSEL2-S	
A8	IN6	PRGSEL1		B8	OUT8	PRGSEL3-S	
A9	IN7	PRGSEL2		B9	OUT9	PRGSEL4-S	
A10	IN8	PRGSEL3		B10	OUT10	PRGSEL5-S	
A11	IN9	PRGSEL4		B11	P1+	CW \ PULSE	
A12	IN10	PRGSEL5		B12	P1-		
A13	IN11	PRGSEL6		B13	P2+	CCW \ DIR	
A14	IN12	LOCK		B14	P2-		
A15	IN13	-		B15	Reserved	-	
A16	IN14	-	B16	FG	Shielded web/ground		

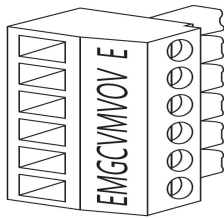
Linear Electric Actuator

JC 100 Controller

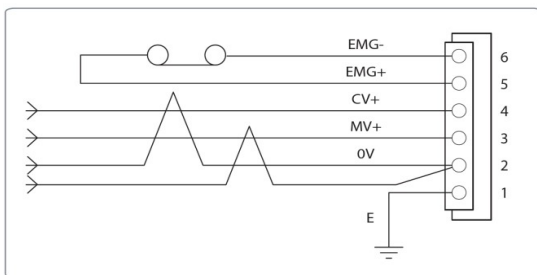
Cat :

Pin Designation

NO	Signal Name	Explanation
1	E	Grounding (Ensure to connect to ground to avoid disturbance)
2	0V	GND
3	MV +	Main power supply : DC24V ± 10% : DC48 ± 10%
4	CV +	Controlling power : DC24V ± 10%
5	EMG +	EMS(please use normal close connection) (Relay)
6	EMG -	

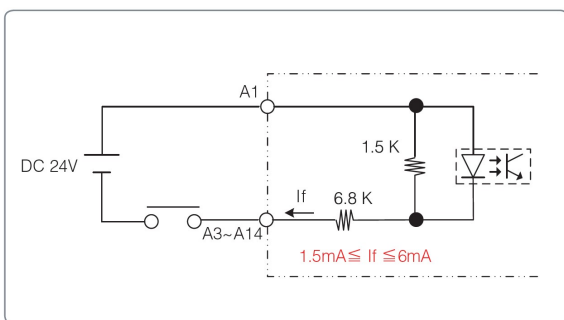


EMS and Power wiring

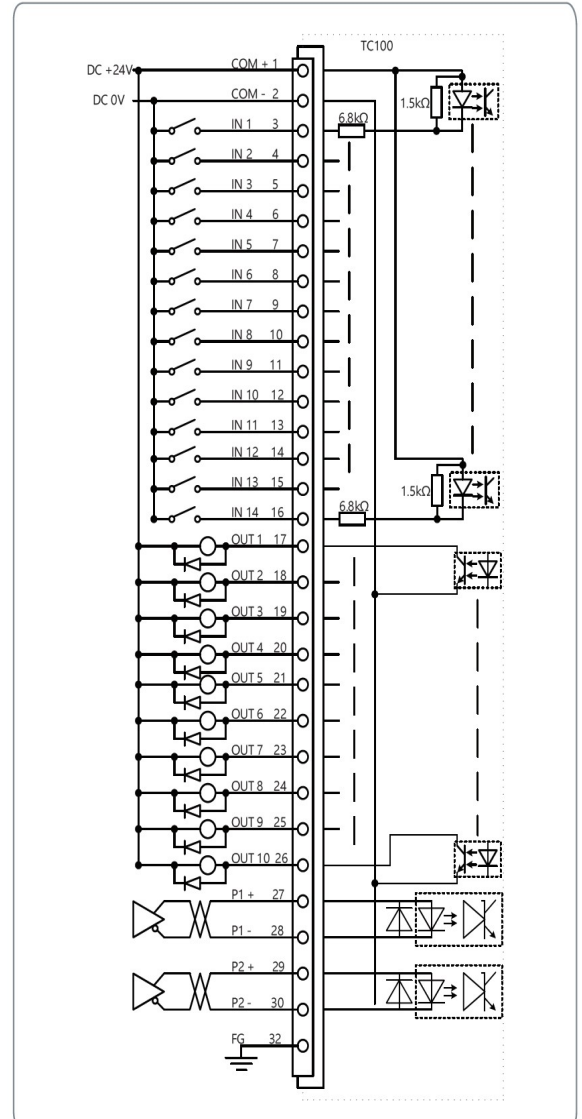


Relay Wiring

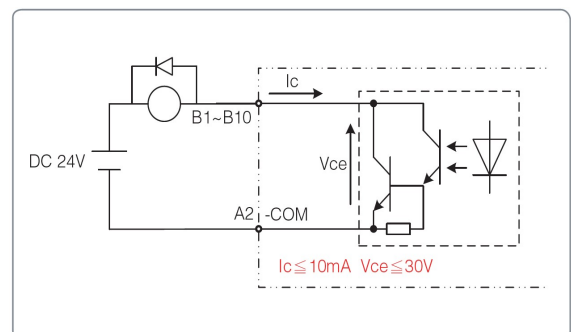
Input Circuit



IN/OUT(NPN) IO wiring (NPN)



Output Circuit



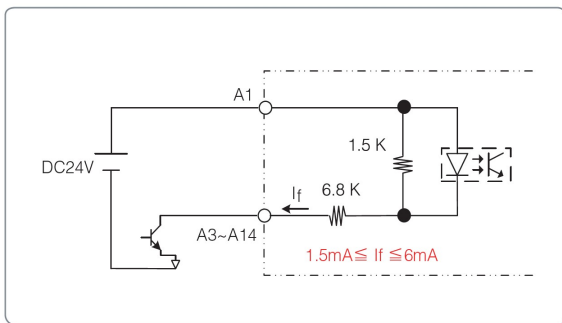
Linear Electric Actuator

JC 100 Controller

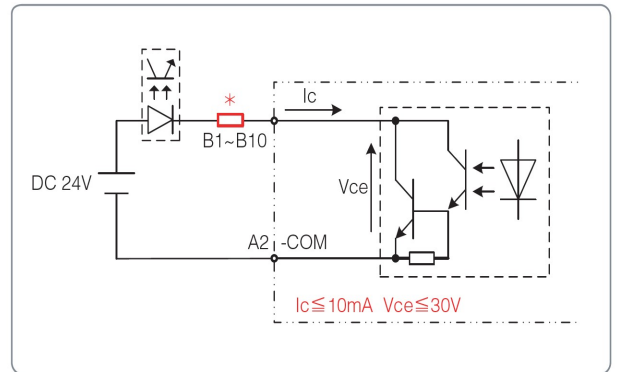
Cat :

Transistor wiring

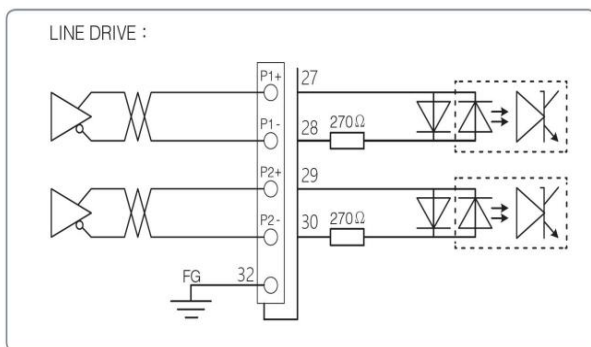
Input Circuit



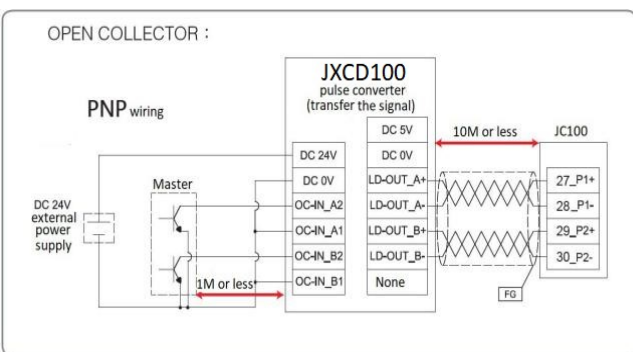
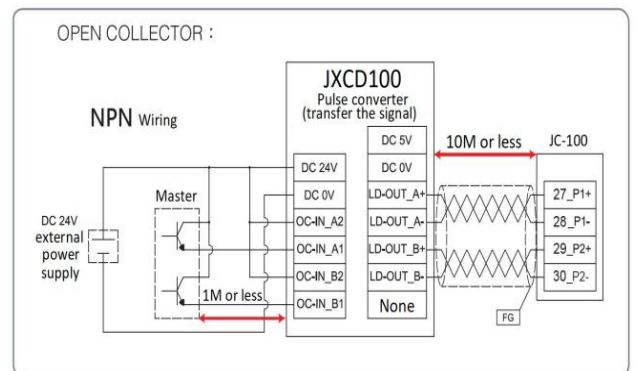
Output Circuit



Pulse output wiring



* Note: Please consider the output saturation voltage of optocoupler 1Vtype (when output current is 10mA).



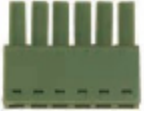






At the external Pulse mode, after homing completed, assigned current position and current position cannot be clear to 0. it is normal situation, it will not affect the process of pulse sending.

Linear Electric Actuator

JC 100 Controller

Cat :

Accessories list

Power supply connector	IO Cable (Shielded type)	Motor & Encoder cable	Pulse Transfer Module	Mini USB cable for supporting software	RJ-45 cable for RS-485 connections	Communication Module	
							
JC100-CON-POW-00	JC100-SD-IO-CAB-A	JC100-CAB-STA-T		JC100-OPEN TO LINE	JC100-CAB-485-T		JC100-CM-100-MB
		1	1m		1	1m	
		3	3m		3	3m	
		5	5m		5	5m	
		T	10m		T	10m	